

SPECTRO Series

► SPECTRO-3-1000-COF-d50.0-MSM-ANA-V4A (V2.0)

- **Color control** (color, contrast, and gray scale detection)
- Integrated transmitter and receiver optics (confocal)
- Object distance (working range) typ. 200 mm ... 2000 mm
- $L^*a^*b^*$, $L^*C^*h^*$, $L^*u^*v^*$, L^*u^*v' and xyY evaluation (CIE standard)
- Up to 3 colors can be stored
- Super-bright white-light LED (AC- or DC-operation to be switched)
- Insensitive to outside light (in AC-operation)
- Scan frequency max. 90 kHz (in DC-operation)
- Switching frequency typ. 60 kHz
- 3 analog outputs to output color values to PLC
- 2 digital outputs to output taught colors
- TEACH via PC or PLC (external input)
- Various evaluation algorithms can be activated
- "BEST HIT" mode ("human color assessment")
- Averaging can be activated (from 1 up to over 32000 values)
- Parameterizable via Windows® software, scope function
- Integrated cables (PLC connection and USB converter)
- Temperature compensated
- 3-color filter detector (true color detector: "human color perception")
- **Housing made of stainless steel (V4A), enclosure rating IP67**

In Proud Partnership with Sensor Instruments

PAQUIN
SENSORS

For technical support, sales, & distribution
within the USA & Canada

www.paquin.com | (800) 831-8217 | paquinsensors@paquin.com



Design

Product name:

SPECTRO-3-1000-COF-d50.0-MSM-ANA-V4A (V2.0)
(incl. Windows® software SPECTRO3-MSM-ANA-Scope)

Aperture d50.0: Spot size typ. Ø 50 mm at distance 1000 mm

Integrated 8-wire cable
with 8 open strands
(connection to PLC/Power),
cable length 10m

Receiver optics incl. 3-color
filter detector (True Color)
(scratch-resistant optics
cover made of plexiglass)

Integrated cable with
USB converter and
USB-A connector
(connection to PC),
cable length 10m

Transmitter optics
with white light LED
(scratch-resistant optics
cover made of plexiglass)

Sturdy housing
made of stainless
steel (V4A)

Mounting possibilities,
partly threaded M5



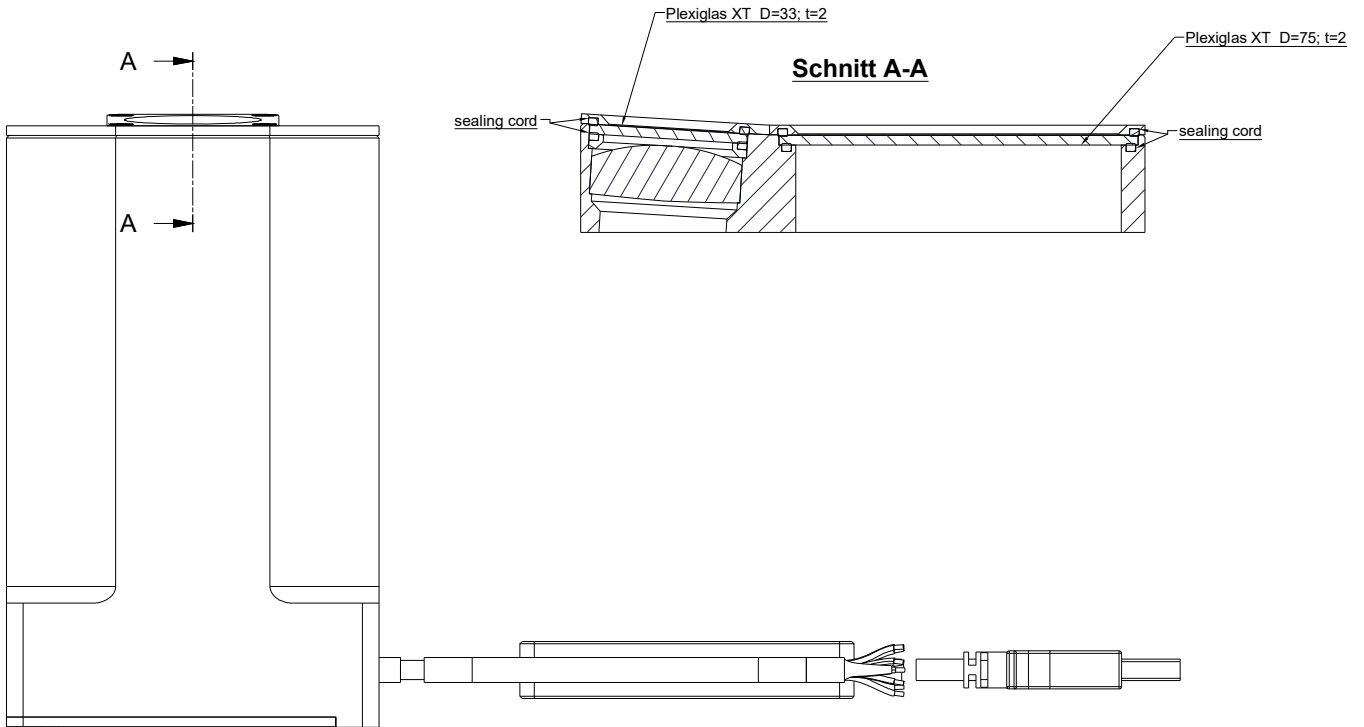
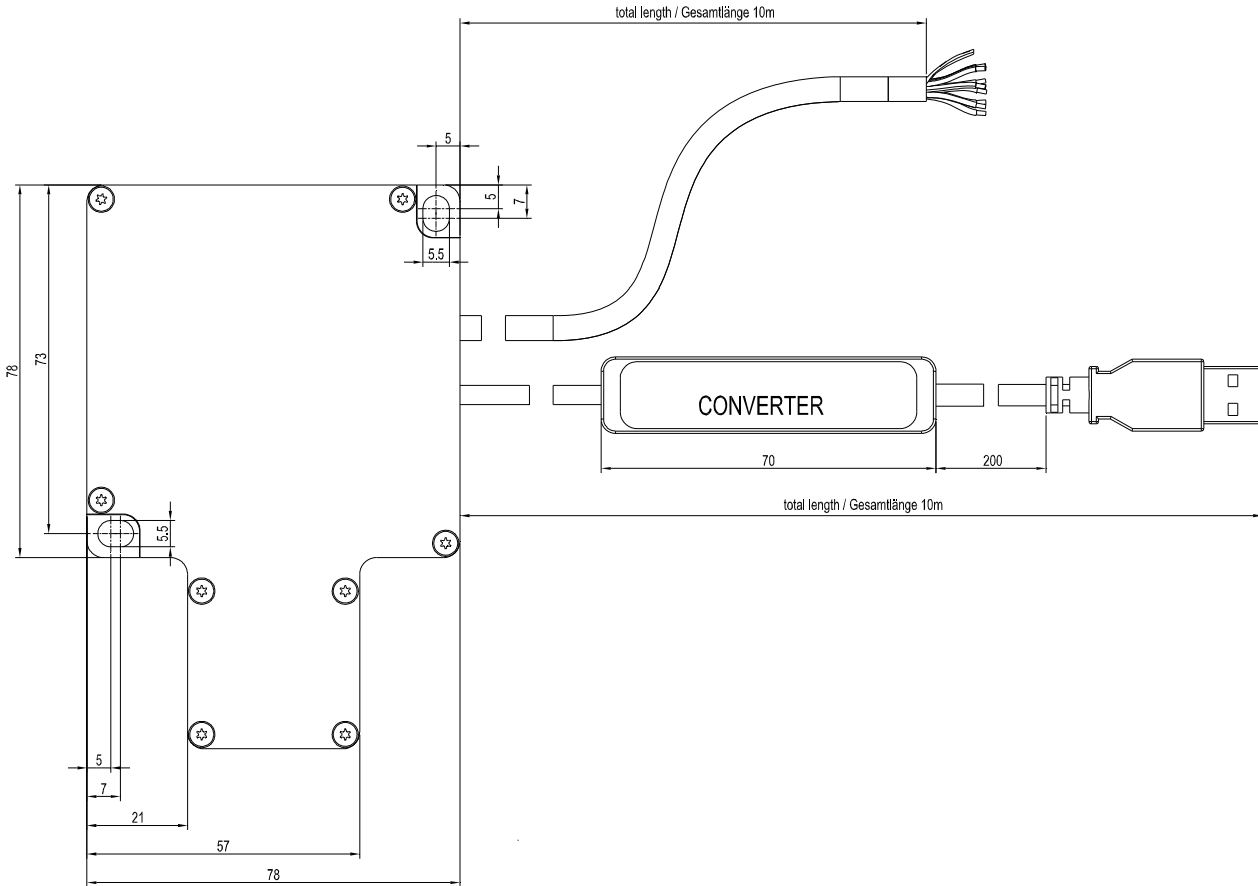
Sensor
Instruments



Technical Data

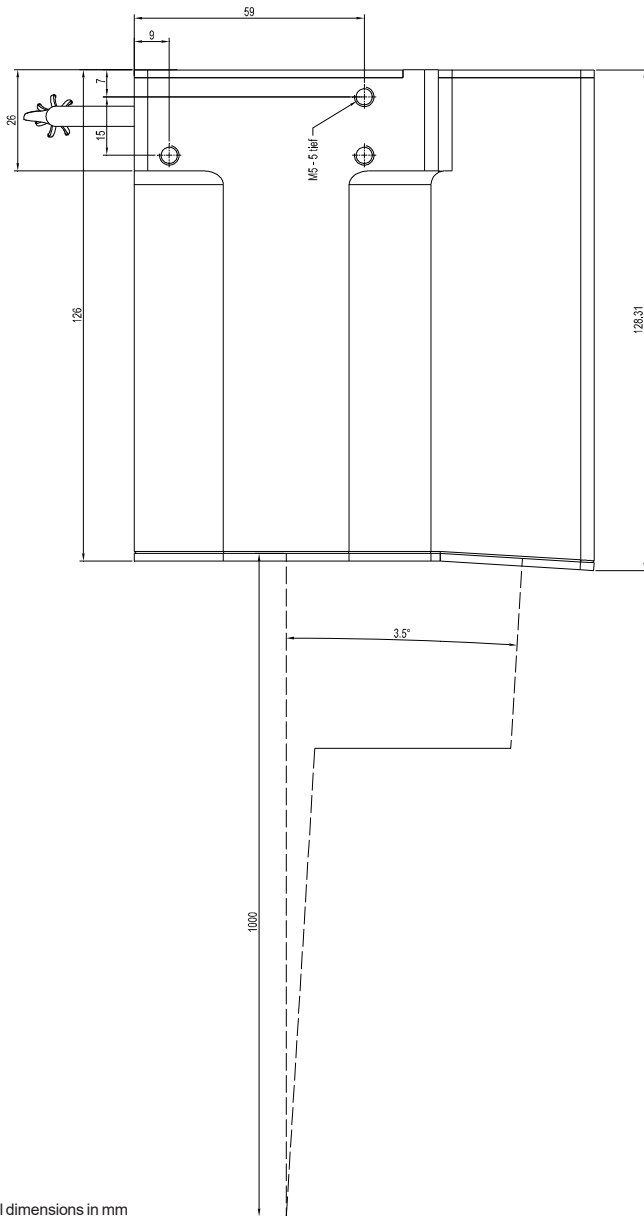
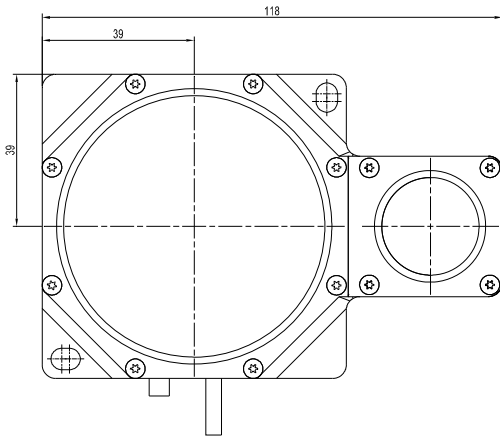
| Model | SPECTRO-3-1000-COF-d50.0-MSM-ANA-V4A (V2.0) |
|---------------------------------|--|
| Voltage supply | +24VDC ($\pm 10\%$), reverse polarity protected, overcurrent protected |
| Current consumption | < 160 mA |
| Max. switching current | 100 mA, short circuit proof |
| Input digital (1x) | IN0 (Pin 3), digital (0V/+24V) |
| Outputs digital (2x) | OUT0, OUT1 (Pin 4 and 5): digital (0V/+24V), npn-/pnp-able (bright-/dark-switching, can be switched) |
| Outputs analog (3x) | OUT2, OUT3, OUT4 (Pin 6, 7, and 8): 0...+10V or 4...20mA (xyY, a*b*L*, u*v*L*, u'v'L*, C*h*L*, XYZ) |
| Interface | USB |
| Pulse lengthening | 0 ... 100 ms, adjustable via PC software |
| Averaging | max. 32768 values, adjustable via PC software |
| Scan frequency | LED operation, can be switched via PC software: AC operation: max. 25 kHz (depends on parameterization) DC operation: max. 90 kHz (depends on parameterization) |
| Switching frequency | typ. 60 kHz |
| Analog band width | max. 90 kHz (-3dB) |
| Transmitter (light source) | super-bright white-light LED |
| Transmitter control | can be switched via PC software: AC operation (LED MODE-AC), DC operation (LED MODE-DC) |
| Object distance (working range) | typ. 200 mm ... 2000 mm |
| Receiver | 3-color filter detector (TRUE COLOR detector, "human color perception"), color filter curves acc. to CIE 1931 |
| Receiver gain setting | 8 steps (AMP1 ... AMP8), adjustable via PC software |
| Ambient light | max. 5000 Lux |
| Size of light spot | typ. \varnothing 30 mm at distance 540...660 mm typ. \varnothing 40 mm at distance 840 mm typ. \varnothing 50 mm at distance 1000 mm typ. \varnothing 70 mm at distance 1400 mm typ. \varnothing 90 mm at distance 1740 mm |
| Reproducibility | in the X, Y color range each 1 digit at 12-bit A/D conversion |
| Temperature drift X,Y | $\Delta X/\Delta T$; $\Delta Y/\Delta T$ typ. 0,2 digits/ $^{\circ}\text{C}$ (< 0,01% / $^{\circ}\text{C}$) |
| Measurement accuracy | typ. $\Delta E = 0,3$ |
| Resolution | $\Delta E \geq 0.01$ in case of color space L*u*v': $\Delta u'v' = 0.001$ |
| Color spaces | CIE L*a*b*, CIE L*C*h*, CIE L*u*v*, CIE L*u'v' und CIE xyY |
| Color memory capacity | non-volatile EEPROM with parameter sets for max. 3 colors |
| Housing dimensions | LxWxH approx. 118 mm x 78 mm x 127 mm |
| Housing material | stainless steel V4A |
| Enclosure rating | IP67 |
| Connecting cables | Connection to PLC/Power via integrated 8-wire cable (total length 10m) with 8 open strands Connection to PC/USB via integrated cable (total length 10m) with USB converter and USB-A plug |
| Operating temp. range | -20 $^{\circ}\text{C}$... +55 $^{\circ}\text{C}$ |
| Storage temp. range | -20 $^{\circ}\text{C}$... +85 $^{\circ}\text{C}$ |
| EMC test acc. to | DIN EN 60947-5-2 |

Dimensions

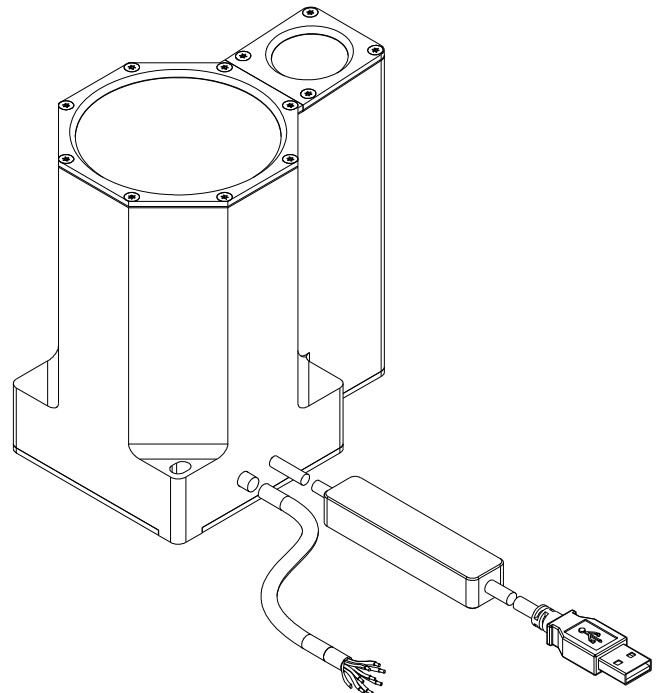


All dimensions in mm

Dimensions



All dimensions in mm





Connector Assignment

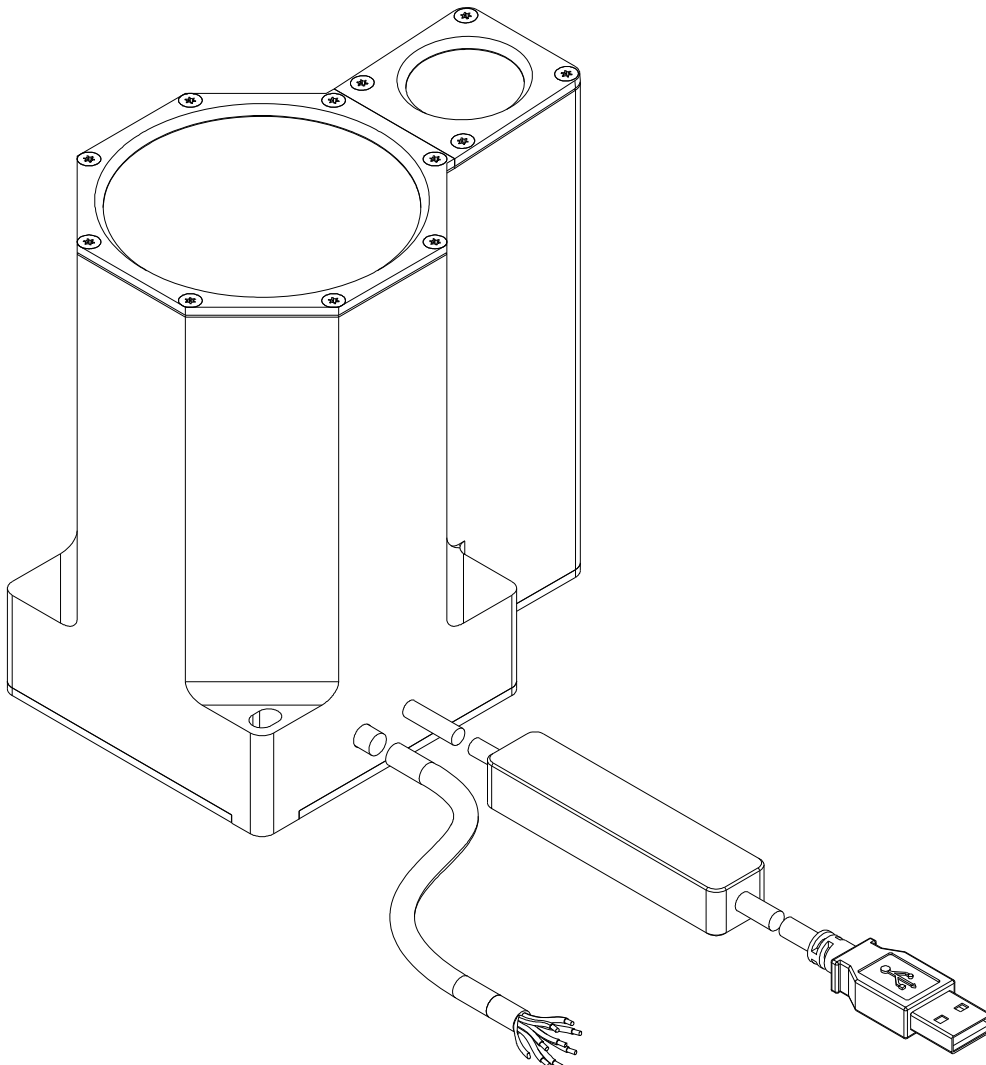
Connection to PLC: via integrated 8-wired cable with 8 open strands

| Color: | Assignment: |
|---------------|--|
| white | GND (0V) |
| brown | +24VDC ($\pm 10\%$) |
| green | IN0 (Digital 0: 0 ... 1V, Digital 1: +Ub - 10%) |
| yellow | OUT0 (Digital 0: 0 ... 1V, Digital 1: +Ub - 10%) |
| grey | OUT1 (Digital 0: 0 ... 1V, Digital 1: +Ub - 10%) |
| pink or black | OUT2 X, x, a*, u*, u' or C* (Analog: 0 ... +10V or 4 ... 20mA) |
| blue | OUT3 Y, y, b*, v*, v' or h* (Analog: 0 ... +10V or 4 ... 20mA) |
| red | OUT4 Z, Y or L* (Analog: 0 ... +10V or 4 ... 20mA) |

(cable length 10 m)

Connection to PC: via integrated cable with USB converter (incl. driver software)

(cable length 10 m)





Measuring principle of color sensors of SPECTRO-3-...-MSM-ANA Series:

The SPECTRO-3-MSM-ANA color sensor provides highly flexible signal acquisition. For example, the sensor can be operated in alternating-light mode (AC mode), which makes the sensor insensitive to extraneous light. It also can be set to constant-light mode (DC mode), which makes the sensor extremely fast. With the stepless adjustment of the integrated light source as well as the selectable gain of the receiver signal and an INTEGRAL function the sensor can be set to almost any surface or any "self-luminous object".

When the integrated light source of the SPECTRO-3-MSM-ANA color sensor is activated, the sensor detects the radiation that is diffusely reflected from the object. As a light source the SPECTRO-3-MSM-ANA color sensor uses LEDs (in case of color sensor type -VISUV additional UV LEDs) with adjustable transmitter power. An integrated 3-fold receiver for the red, green, and blue content of the light that is reflected from the object, or the light that is emitted by a "self-luminous object", is used as a receiver.

The SPECTRO-3-MSM-ANA color sensor can be "taught" up to 3 colors. For each of these taught colors it is possible to set tolerances. Evaluation of the taught colors is performed either with the "FIRST HIT" or with the "BEST HIT" mode. With "FIRST HIT" the first hit in the teach table is output, and with "BEST HIT" the best hit in the teach table is output. Raw data are represented with 12 bit resolution.

Color detection either operates continuously or is started through an external PLC trigger signal. The respective detected color either is provided as a binary code at the 2 digital outputs or can be sent directly to the outputs, if only up to 2 colors are to be detected.

In addition to the 2 digital outputs there also are 3 analog outputs that either provide the red, green, and blue components or the calculated color coordinates in values of 0...+10V or 4...20mA.

Through input IN0 (green wire of the cab-las8/SPS cable) the color sensor can be taught up to 3 colors. For this purpose the corresponding parameter mode must be set with the software.

Parameters and measurement values can be exchanged between a PC and the SPECTRO-3-MSM-ANA color sensor through the serial RS232 interface. All the parameters for color detection also can be saved to the non-volatile EEPROM of the SPECTRO-3-MSM-ANA color sensor through this serial RS232 interface. When parameterisation is finished, the color sensor continues to operate with the current parameters in STAND-ALONE mode without a PC.

Possible firmware updates can be easily performed through the RS232 interface, even with the sensor system in installed condition. (a firmware update is performed via the software „FirmwareLoader“).

The measuring sensors of the SPECTRO-3-MSM-ANA series are factory calibrated. When establishing the connection, the date of the next calibration is displayed in the status window in the CONNECT tab. For continuously accurate measurement results, we recommend having the calibration renewed every 12 months and sending in the sensors for calibration.

Moreover, the sensors of the SPECTRO-3-MSM-ANA series can be individually calibrated. Calibration can be performed to any surface with known color coordinates. A ColorChecker™ table is available as an alternative. This table has 24 color fields according to the CIE STANDARD that can be used for calibration.

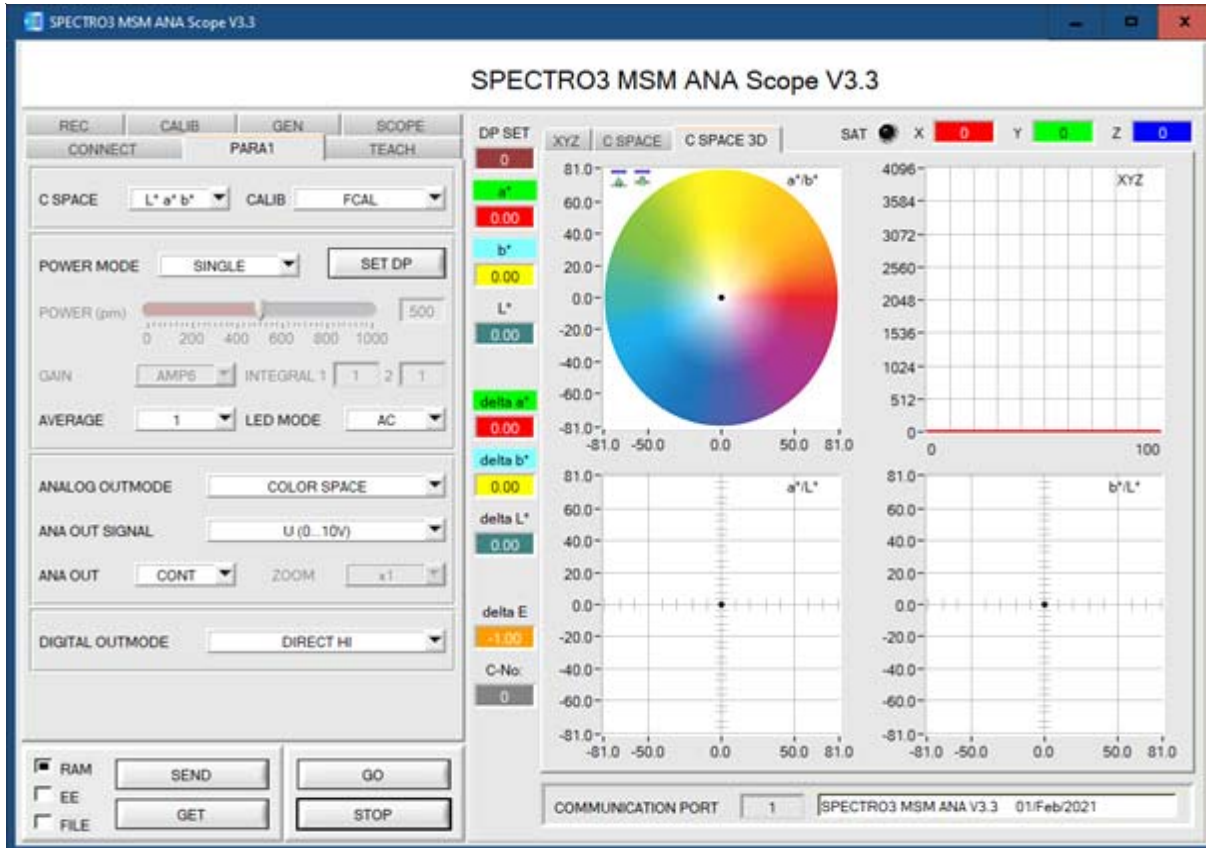
Furthermore, input IN0 can be used for performing white light balancing.



Parameterization
Windows® user interface:

(The current software version is available for download on our website.)

The color sensor is parameterized under Windows® with the SPECTRO3-MSM-ANA-Scope software. The Windows® user interface facilitates the teach-in process at the color sensor and supports the operator in the task of adjustment and commissioning of the color sensor.



The RS232 interface (tab PARA1) is used for setting parameters such as e.g.:

- POWER MODE (SET DP): Light power of the LED (Set Double Parameter)
- LED MODE: Triggering of the internal light source (AC, DC)
- GAIN: Used for setting the gain of the receiver (AMP1 ... AMP8)
- AVERAGE: Averaging over a maximum of 32768 values. This function field is used for adjusting the number of scanning values (measurement values) over which the raw signal measured at the receiver is averaged. A higher AVERAGE default value reduces noise of the raw signals at the receiver unit and there will be a decrease of the maximal available switching frequency of the sensor
- INTEGRAL: This function field is used to set the number of scan values (measurement values) over which the raw signal measured at the receiver is summed up. This integral function allows the reliable detection even of extremely weak signals
- C SPACE: Selection of a color space ((L*a*b*, L*C*h*, L*u*v*, L*u'v', or xyY) for the calculation of the color stimulus specification
- ANALOG OUTMODE: Function to determine the signals that the sensor provides at its analog outputs (OUT2, OUT3, OUT4) (OFF, XYZ, COLOR SPACE, CS REF)
- EVALUATION MODE: BEST HIT or FIRST HIT
- TRIGGER: Continuous or external or self trigger (CONT, EXT1, EXT2, TRANS)
- EXTEACH: In all the evaluation modes teaching of a color can be performed externally through IN0.
- INTLIM: Minimum intensity required for color evaluation
- MAXCOL-No.: Number of colors to be checked
- DIGITAL OUTMODE: Control of the two digital outputs (OUT0, OUT1)
- Tab TEACH: Opens a window where you can teach colors to the TEACH TABLE
- Tab CALIB: Selection of calibration mode (FCAL = factory calibration or UCAL = user calibration).
- Tab SCOPE: Visualises an oscilloscope
- Tab GEN: Displays the current temperature value TEMP in the sensor housing
- Tab REC: Data recorder



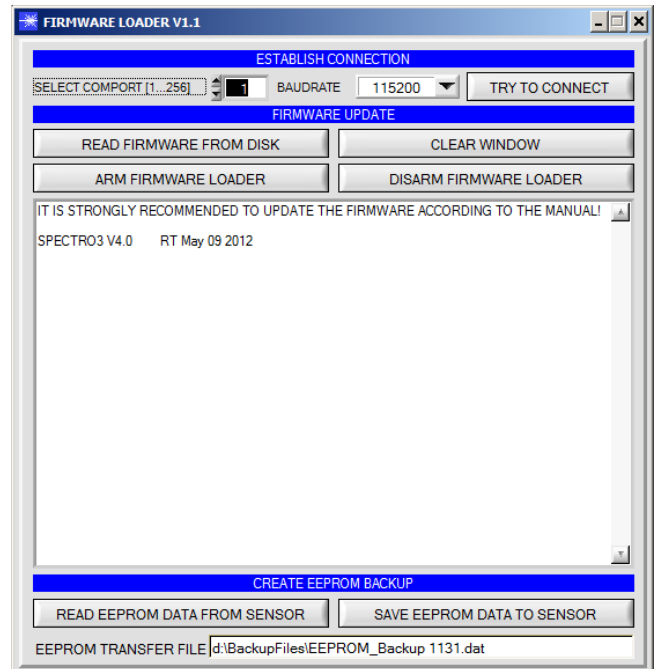
Firmware Update

Windows® software „FirmwareLoader“:

(The current software version is available for download on our website.)

The software „Firmware Loader“ allows the user to perform an automatic firmware update. The update will be carried out through the RS232 interface.

An initialisation file (xxx.ini) and a firmware file (xxx.elf.S) are required for performing a firmware update. These files can be obtained from your supplier. In some cases an additional firmware file for the program memory (xxx.elf.p.S) is also needed, and this file will be automatically provided together with the other two files.



Monitoring Software

Windows® software „SPECTRO3-MSM-ANA-Monitoring“:

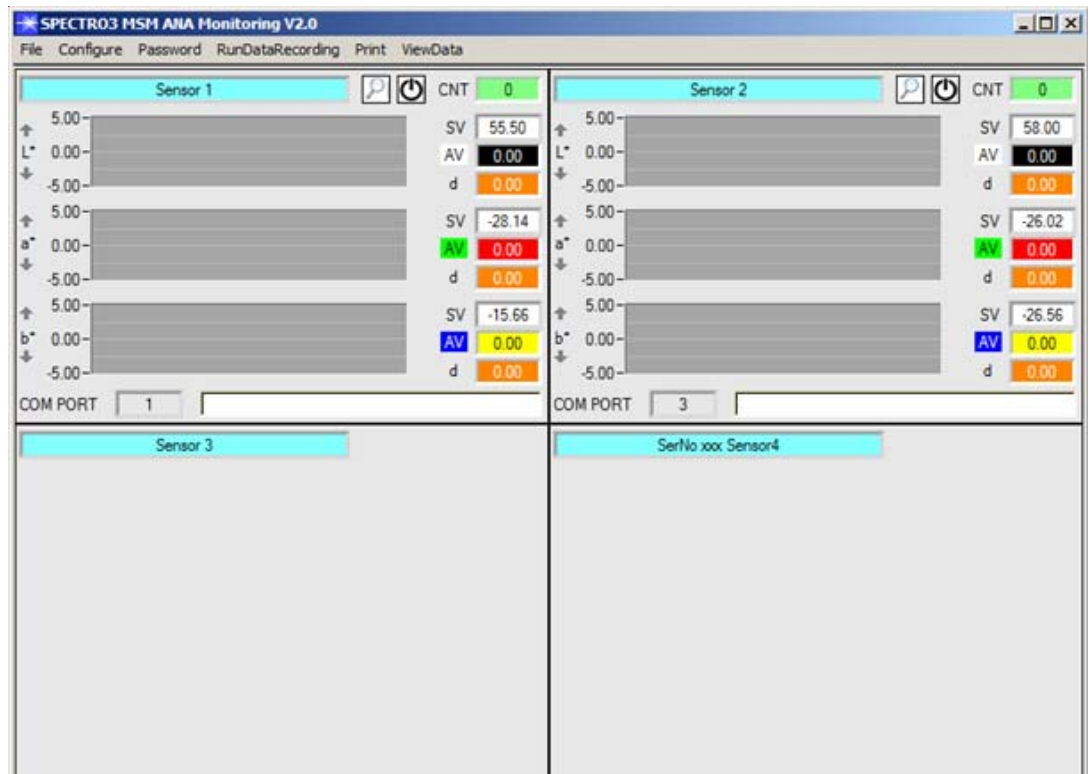
(The current software version is available for download on our website.)

The software „SPECTRO3-MSM-ANA-Monitoring“ was developed for configuring up to 8 color sensors of the SPECTRO-3-MSM-ANA series in a multi-sensor system that can be used for the continuous inline measurement and control of surfaces at several measuring points at the same time.

Measurement values are recorded and are also displayed at the PC monitor, and they can be printed out after the end of recording.

The software concept provides two user levels: A password-protected administrator function for configuring the inline measurement system and for setting all the parameters for operation, and an easy-to-use user function that only allows the setting of the start and end of recording with input of production parameters (that have been determined by the administrator). The print function also is available for the normal user.

As a support for commissioning and operation of the SPECTRO3-MSM-ANA-MONITORING software this manual explains the individual functional elements of the graphic Windows® user interface.



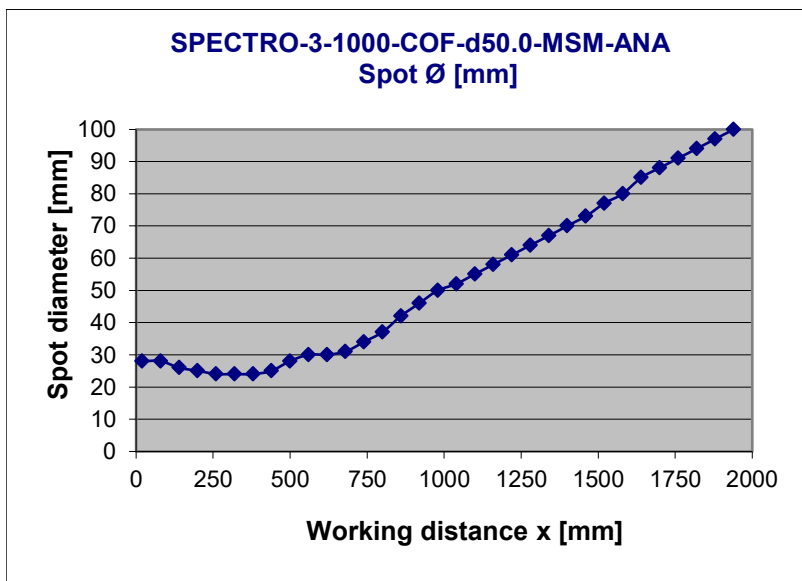


Diagrams

Diagrams: SPOT DIAMETER and RELATIVE INTENSITY
 SPECTRO-3-1000-COF-d50.0-MSM-ANA
 ditto SPECTRO-3-1000-COF-d50.0-MSM-ANA-V4A (V2.0)

Spot diameter

SPECTRO-3-1000-COF-d50.0-MSM-ANA:
 50 mm (typ.) at a working distance of 1000 mm



Relative intensity 100%

SPECTRO-3-1000-COF-d50.0-MSM-ANA:
 100% at a working distance of 860 mm
 (INTENSITY 3666)

