

# SPECTRO Series

## ► SPECTRO-3-COF-...-SLA

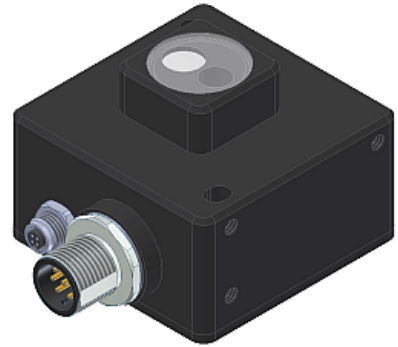
- Measuring range typ. 10 mm ... 200 mm
- Integrated transmitter and receiver optics (confocal)
- RS232 interface (USB or Ethernet adapter is available)
- Super-bright white-light LED (AC-/DC-operation or OFF for luminous objects can be switched)
- Color detection, contrast detection, and gray scale detection
- Insensitive to outside light (in AC-operation)
- Brightness correction can be activated (STATIC/DYNAMIC)
- Scan frequency max. 90 kHz (in DC- or OFF-operation)
- 3 analog outputs, that either provide the red, green, blue components or the calculated color coordinates (X, Y, INT or s, i, M) from 0...+10V or 4...20mA
- Parameterizable via Windows® software, scope function
- Temperature compensated
- Averaging can be activated (from 1 up to over 32000 values)
- Color control of luminous objects (LEDs, halogen lamps, displays, ...)
- 3-color filter detector (true color detector: "human color perception")

In Proud Partnership with Sensor Instruments

**PAQUIN**  
SENSORS

For technical support, sales, & distribution  
within the USA & Canada

www.paquin.com | (800) 831-8217 | paquinsensors@paquin.com



## Design

### Product name:

**SPECTRO-3-COF-d3.0-SLA** (size of light spot typ.  $\varnothing$  3.0 mm at a distance of 75 mm)

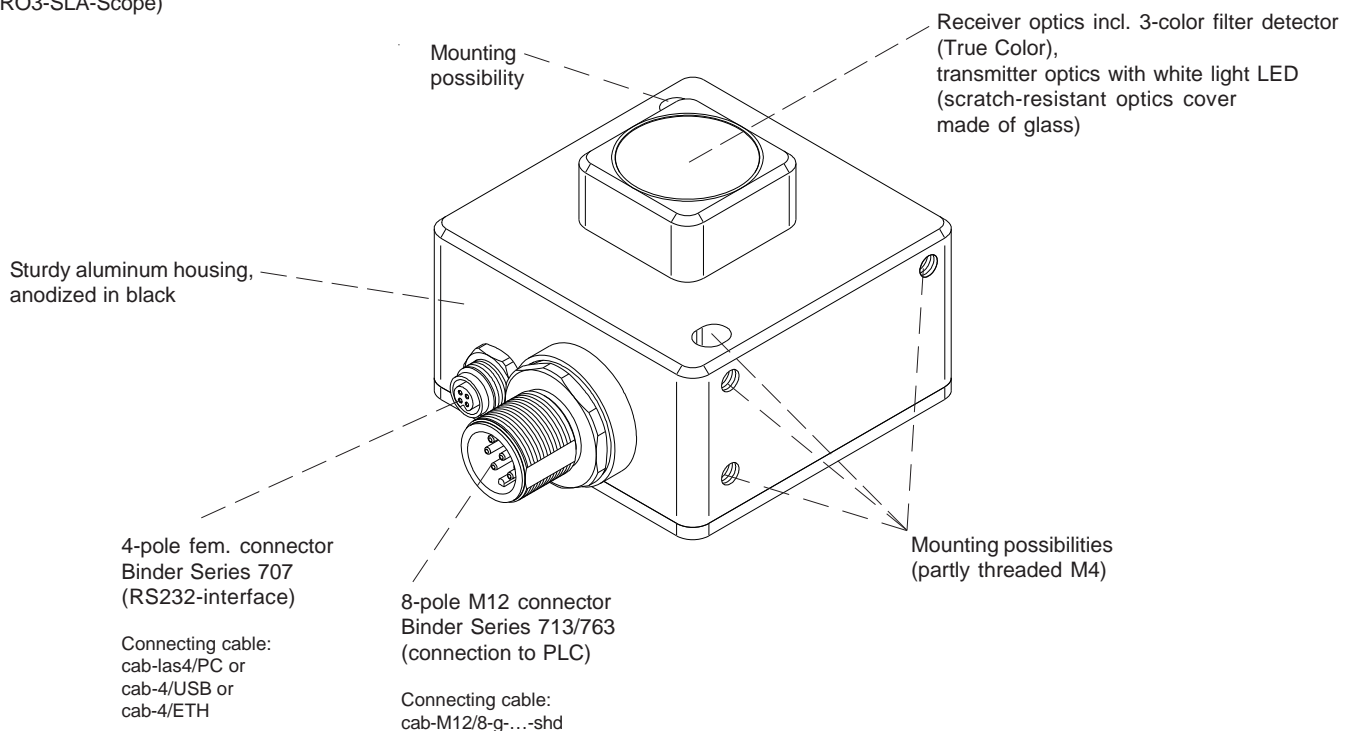
**SPECTRO-3-COF-d5.0-SLA** (size of light spot typ.  $\varnothing$  5.0 mm at a distance of 80 mm)

**SPECTRO-3-COF-d8.0-SLA** (size of light spot typ.  $\varnothing$  8.0 mm at a distance of 85 mm)

**SPECTRO-3-COF-5x1.5-SLA** (size of light spot typ. 5 mm x 1.5 mm at a distance of 45 mm)

(incl. Windows® PC software

SPECTRO3-SLA-Scope)



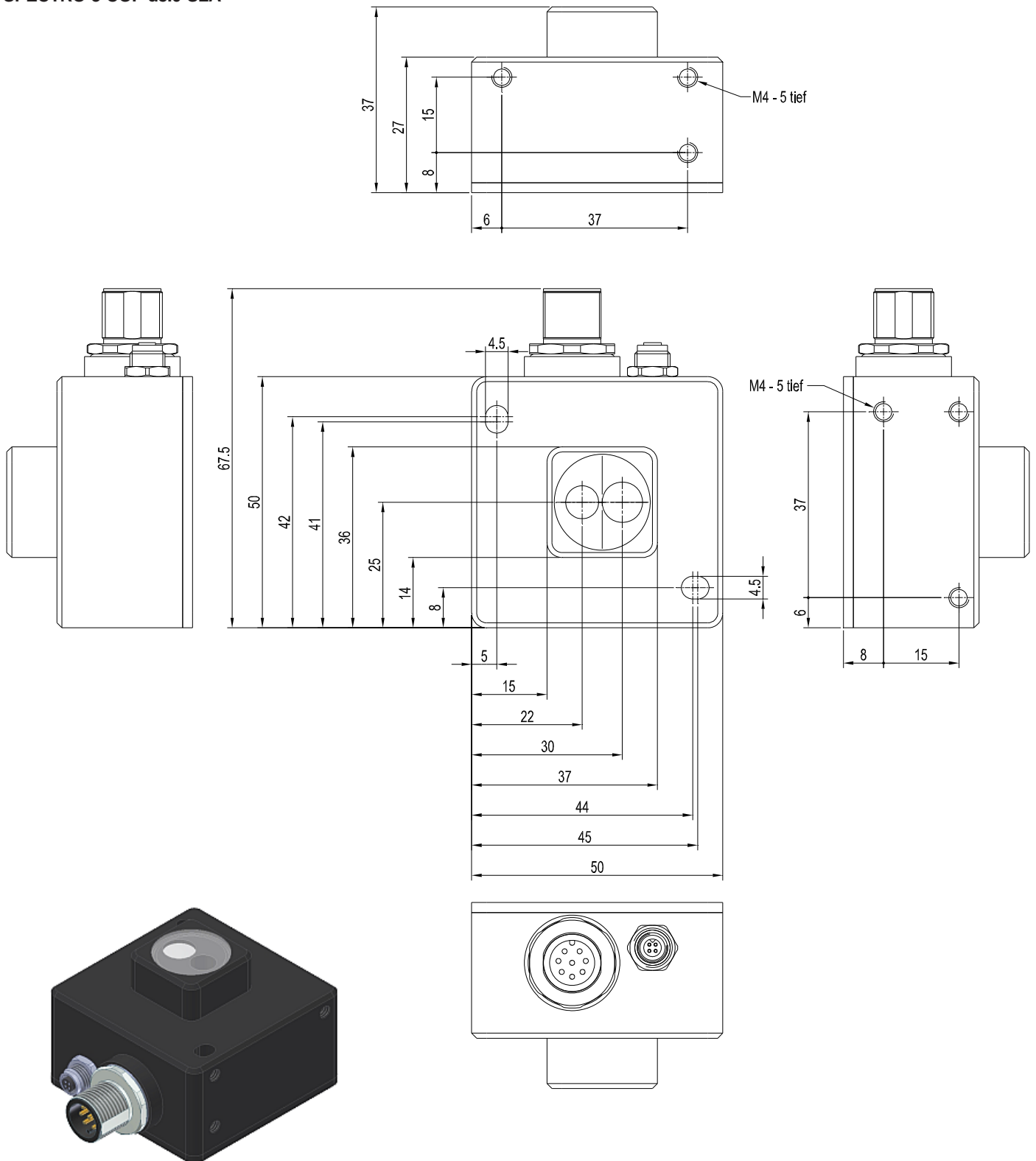


**Technical Data**

Type	SPECTRO-3-COF-...-SLA
Voltage supply	+24VDC ( $\pm 10\%$ ), reverse polarity protected, overcurrent protected
Current consumption	< 160 mA
Max. switching current	100 mA, short circuit proof
Input digital (1x)	IN0 (Pin 3), digital (0V/+24V)
Outputs analog (3x)	ANA OUT R (red), ANA OUT gG (green), ANA OUT B (blue) (Pin 6, 7 and 8): Voltage output 0...+10V or current output 4...20mA (R,G,B or X,Y,INT or s,i,M)
Interface	RS232
Averaging	max. 32768 values, adjustable via PC software
Scan frequency	LED operation, can be switched via PC software: AC operation: max. 25 kHz (depends on parameterization) DC and OFF operation: max. 90 kHz (depends on parameterization)
Analog band width	max. 90 kHz (-3dB)
Transmitter (light source)	super-bright white-light LED
Transmitter control	can be switched via PC software: AC operation (LED MODE-AC), DC operation (LED MODE-DC), OFF operation (LED MODE-OFF)
Measuring range	typ. 10 mm ... 200 mm
Receiver	3-color filter detector (TRUE COLOR detector, "human color perception"), color filter curves acc. to CIE 1931
Receiver gain setting	8 steps (AMP1 ... AMP8), adjustable via PC software
Ambient light	max. 5000 Lux
Size of light spot	SPECTRO-3-COF- <b>d3.0</b> -SLA: typ. $\varnothing$ 3.0 mm at a distance of 75 mm SPECTRO-3-COF- <b>d5.0</b> -SLA: typ. $\varnothing$ 5.0 mm at a distance of 80 mm SPECTRO-3-COF- <b>d8.0</b> -SLA: typ. $\varnothing$ 8.0 mm at a distance of 85 mm SPECTRO-3-COF- <b>5x1.5</b> -SLA: typ. 5 mm x 1.5 mm at a distance of 45 mm
Reproducibility	in the X, Y color range each 1 digit at 12-bit A/D conversion
Temperature drift X,Y	$\Delta X/\Delta T$ ; $\Delta Y/\Delta T$ typ. 0,2 digits/ $^{\circ}\text{C}$ (< 0,01% / $^{\circ}\text{C}$ )
Color difference	$\Delta E \geq 0,5$
Color space	X Y INT siM (Lab)
Housing dimensions	SPECTRO-3-COF- <b>d</b> ...-SLA: LxWxH approx. 50 mm x 50 mm x 37 mm (without flange connectors) SPECTRO-3-COF- <b>5x1.5</b> -SLA: LxWxH approx. 50 mm x 50 mm x 45 mm (without flange connectors)
Housing material	aluminum, anodized in black
Enclosure rating	IP64
Connecting cables	to PLC: cab-M12/8-g-...-shd to PC/RS232 interface: cab-las4/PC or cab-las4/PC-w to PC/USB interface: cab-4/USB or cab-4/USB-w to PC/Ethernet interface: cab-4/ETH
Type of connector	connection to PLC: 8-pole M12-connector (Binder 713/763), connection to PC: 4-pole fem. connector (Binder 707)
Operating temp. range	-20 $^{\circ}\text{C}$ ... +55 $^{\circ}\text{C}$
Storage temperature range	-20 $^{\circ}\text{C}$ ... +85 $^{\circ}\text{C}$
EMC test acc. to	DIN EN 60947-5-2

Dimensions

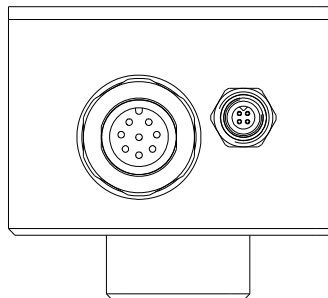
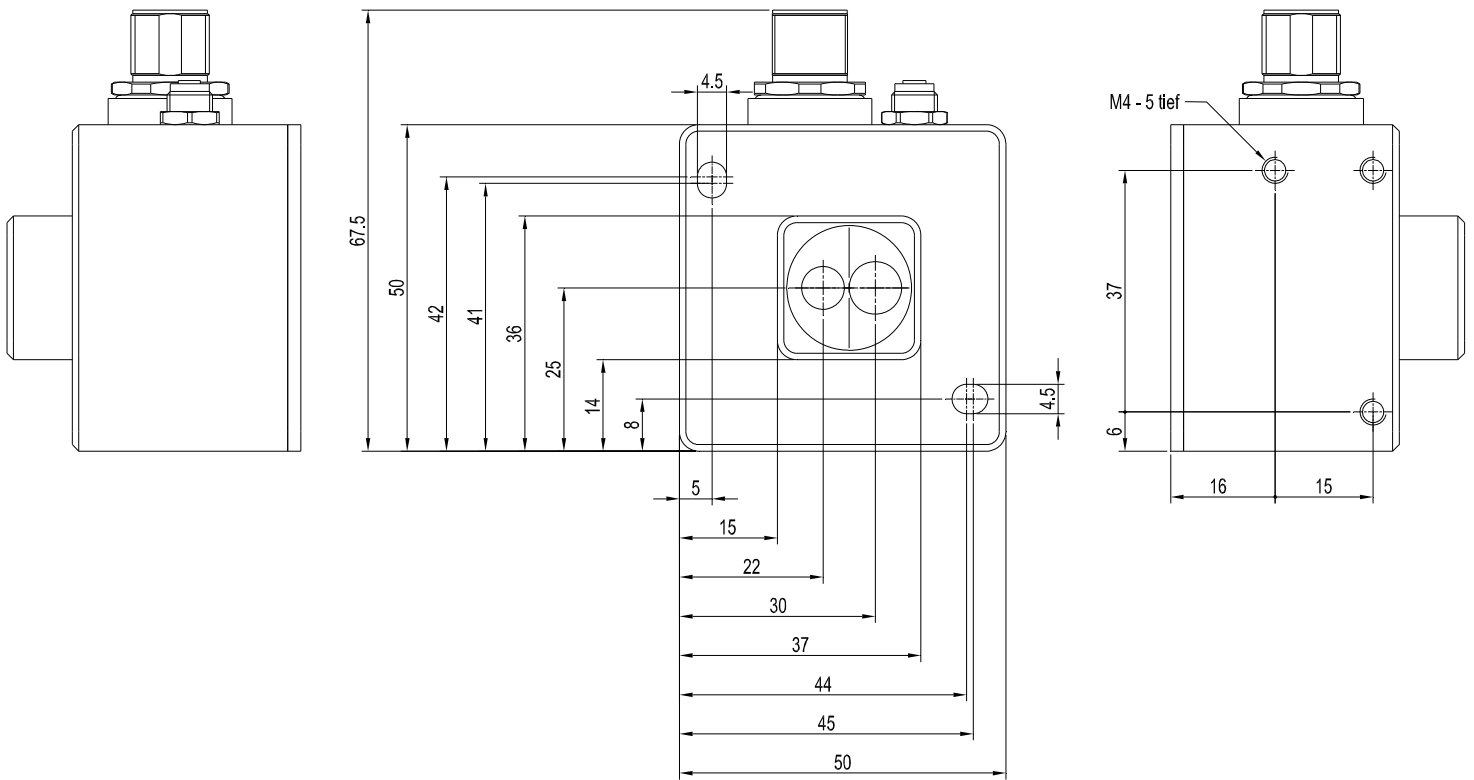
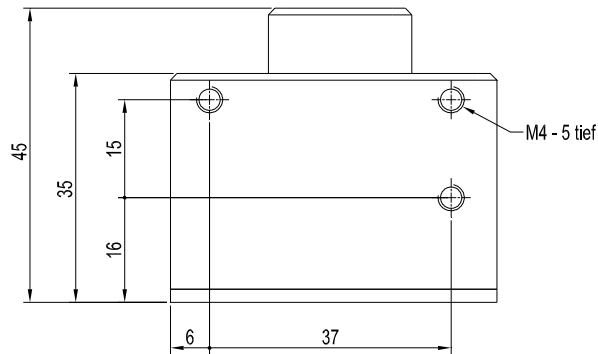
SPECTRO-3-COF-d3.0-SLA  
 SPECTRO-3-COF-d5.0-SLA  
 SPECTRO-3-COF-d8.0-SLA



All dimensions in mm

Dimensions

SPECTRO-3-COF-5x1.5-SLA



All dimensions in mm



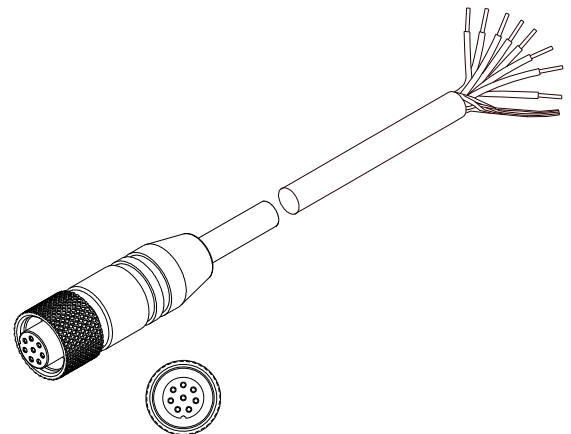
## Connector Assignment

### Connection to PLC:

#### 8-pole M12 connector Binder Series 713/763

Pin:	Color:	Assignment:
1	white	GND (0V)
2	brown	+24VDC ( $\pm 10\%$ )
3	green	IN0
4	yellow	not connected
5	grey	not connected
6	pink	ANA OUT (analog R or X or s: 0...+10V or 4...20mA)
7	blue	ANA OUT (analog G or Y or i: 0...+10V or 4...20mA)
8	red	ANA OUT (analog B or INT or M: 0...+10V or 4...20mA)

Connecting cable:  
cab-M12/8-g-(length)-shd (shielded)  
(standard length 2m)



cab-M12/8-g-...-shd  
(max. length 5m, outer jacket: PUR)

### Connection to PC:

#### 4-pole fem. connector Binder Series 707

Pin:	Assignment:
1	+24VDC (+Ub, OUT)
2	GND (0V)
3	RxD
4	TxD

#### Connection via RS232 interface at the PC:

Connecting cable:  
cab-las4/PC-(length)  
cab-las4/PC-w-(length) (angle type 90°)  
(standard length 2m)

#### alternative:

#### Connection via USB interface at the PC:

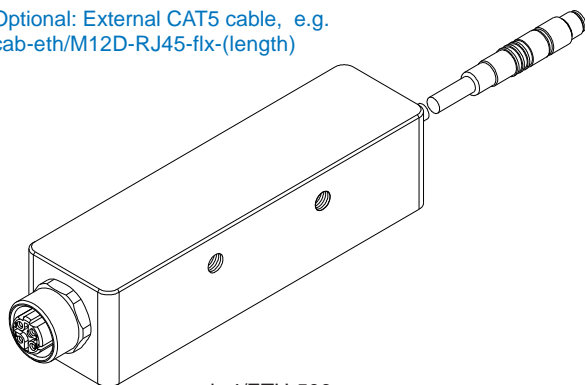
Connecting cable (incl. driver software):  
cab-4/USB-(length)  
cab-4/USB-w-(length) (angle type 90°)  
(standard length 2m)

#### alternative:

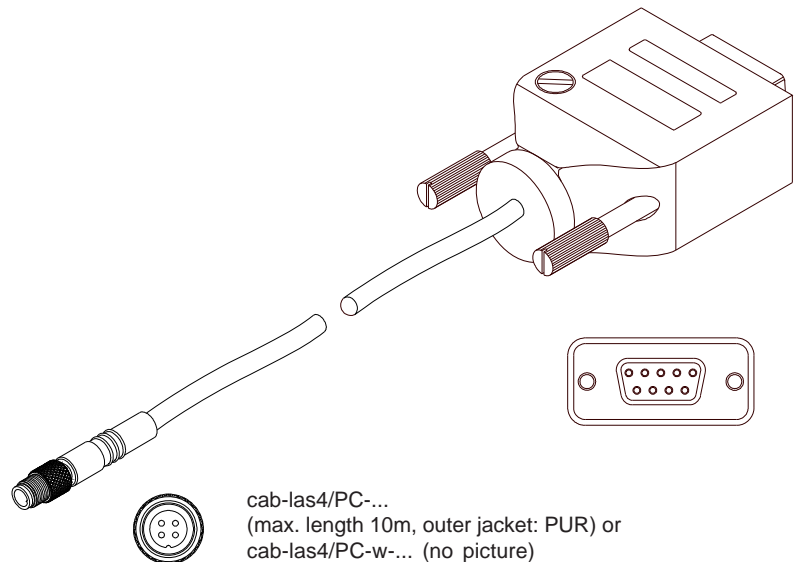
#### Connection to local network via Ethernet bus:

Adapter (incl. software „SensorFinder“):  
cab-4/ETH-500  
(standard length 0.5m)

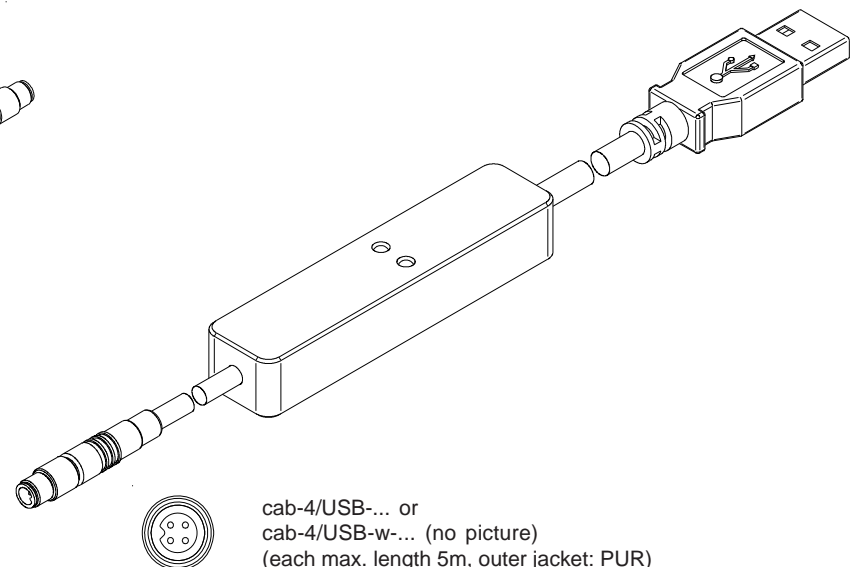
Optional: External CAT5 cable, e.g.  
cab-eth/M12D-RJ45-flx-(length)



cab-4/ETH-500  
(length 0.5m, outer jacket: PUR)  
4-pole M12 fem. conn. (D-coded)  
for connection of an external  
CAT5 cable, e.g.  
cab-eth/M12D-RJ45-flx-(length)



cab-las4/PC-...  
(max. length 10m, outer jacket: PUR) or  
cab-las4/PC-w-... (no picture)  
(max. length 5m, outer jacket: PUR)



cab-4/USB-... or  
cab-4/USB-w-... (no picture)  
(each max. length 5m, outer jacket: PUR)

**Measuring Principle****Measuring principle of the color sensors of SPECTRO-3-SLA series:**

The SPECTRO-3-...-SLA provides highly flexible signal acquisition. For example, the sensor can be operated in alternating-light mode (AC mode), which makes the sensor insensitive to extraneous light. It also can be set to constant-light mode (DC mode), which makes the sensor extremely fast. An OFF function turns off the integrated light source at the sensor and changes to DC operation. The sensor then can detect so-called „self-luminous objects“. With the stepless adjustment of the integrated light source as well as the selectable gain of the receiver signal and an INTEGRAL function the sensor can be set to almost any surface or any „self-luminous object“.

When the integrated light source of the SPECTRO-3-...-SLA color sensor is activated, the sensor detects the radiation that is diffusely reflected from the object. As a light source the SPECTRO-3 color sensor uses a white-light LED with adjustable transmitter power. An integrated 3-fold receiver for the red, green, and blue content of the light that is reflected from the object, or the light that is emitted by a „self-luminous object“, is used as a receiver.

The sensor is equipped with 3 analog outputs that either provide the red, green, blue components or the calculated color coordinates (X, Y, INT or s, i, M) from 0...+10V or 4...20mA.

Parameters and measurement values can be exchanged between a PC and the SPECTRO-3-...-SLA color sensor through the serial RS232 interface. All the parameters for color detection also can be saved to the non-volatile EEPROM of the SPECTRO-3-...-SLA color sensor through this serial RS232 interface. When parameterisation is finished, the color sensor continues to operate with the current parameters in STAND-ALONE mode without a PC.

The sensors of the SPECTRO-3-...-SLA series can be calibrated (white-light balancing). Balancing can be performed to any white surface. A ColorChecker™ table with 24 color fields is available as an alternative. White-light balancing or calibration can be performed to one of the white fields.

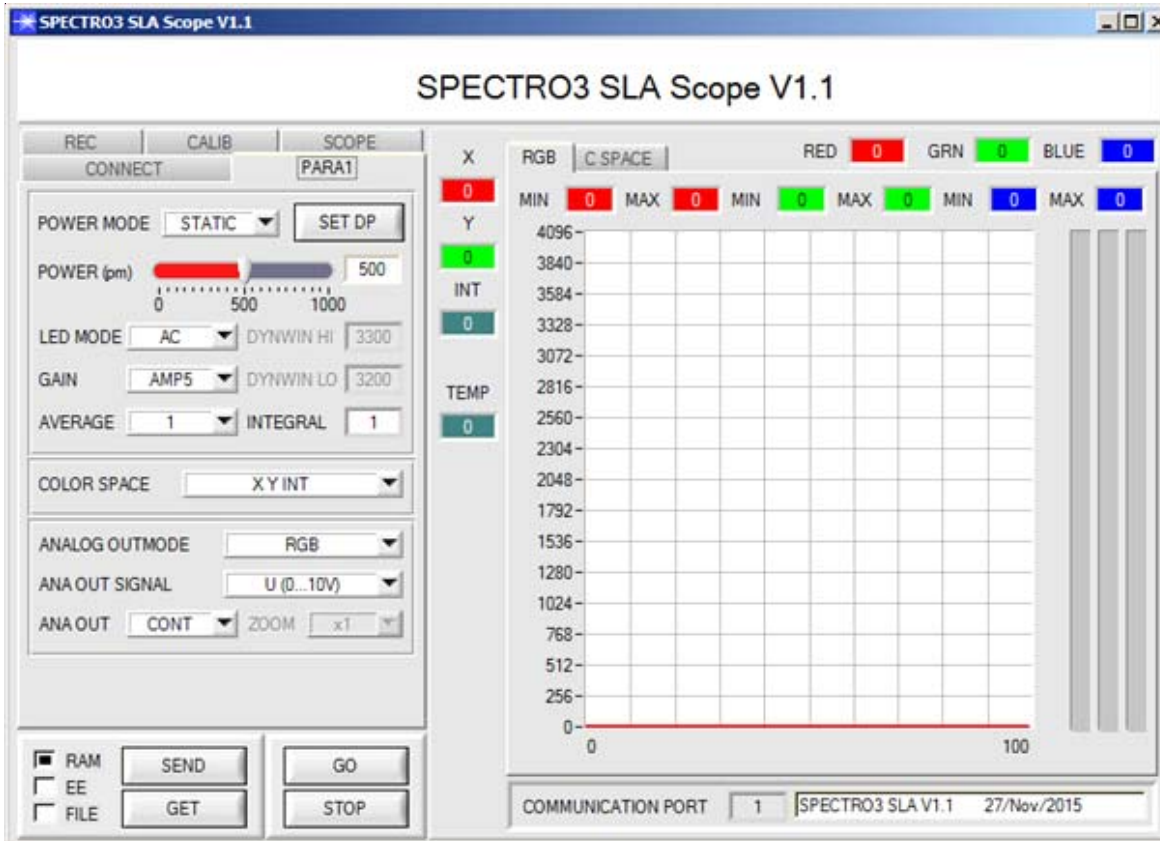
As a light source the SPECTRO-3-UV-SLA (or SPECTRO-3-FIO-UV-SLA) color sensor uses a UV-LED (375 nm) with adjustable transmitter power to excite the luminescent marking. These UV-sensors can be optimally adjusted to almost any luminescent colorant that can be excited in the long-wave UV range (365 nm or 375 nm). The sensors of the SPECTRO-3-...-UV-SLA series also can be calibrated. Analogous to white-light balancing with color sensors, balancing of the SPECTRO-3-UV-SLA (or SPECTRO-3-FIO-UV-SLA) could be performed to any luminescent color marking.



## Parameterization

### Windows® user interface:

The color sensor is parameterized under Windows® with the SPECTRO3-SLA-Scope software. The Windows® user interface facilitates the teach-in process at the color sensor and supports the operator in the task of adjustment and commissioning of the color sensor.



Under Windows® representation of the color value on a PC in numeric form and in a color chart, and representation of RGB values in a time chart. In addition the current RGB values are displayed as a bar chart.

The RS232 interface (tab PARA1) is used for setting parameters such as:

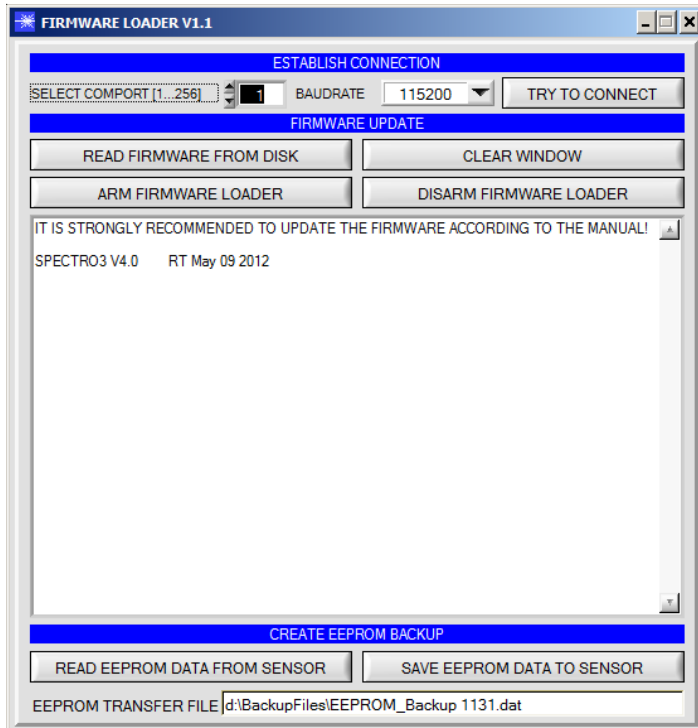
- POWER MODE: Light power of the LED
- SET DP Set Double Parameter (for setting of two parameter sets)
- LED MODE: Triggering of the internal light source
- GAIN: Used for setting the gain of the receiver
- AVERAGE: Used for adjusting the number of scanning values (measurement values) over which the raw signal measured at the receiver is averaged. A higher AVERAGE default value reduces noise of the raw signals at the receiver unit and there will be a decrease of the maximal available switching frequency of the sensor
- INTEGRAL: Used to set the number of scan values (measurement values) over which the raw signal measured at the receiver is summed up. This integral function allows the reliable detection even of extremely weak signals
- ANALOG OUTMODE: used to determine the signals that the sensor provides at its analog output (ANA OUT) (R G B, RGB MM, X Y INT, s i M or CS REF)
- INTLIM: Minimum intensity required for color evaluation
- COLOR SPACE: Used to set the color space that should be calculated (X Y INT or s i M)

Tab CALIB Selection of calibration (white light balancing or offset calibration)  
 Tab SCOPE Visualises an oscilloscope  
 Tab REC Data recorder



## Firmware Update

### Firmware update by means of the software „FirmwareLoader“:



The software „Firmware Loader“ allows the user to perform an automatic firmware update. The update will be carried out through the RS232 interface.

An initialisation file (xxx.ini) and a firmware file (xxx.elf.S) are required for performing a firmware update. These files can be obtained from your supplier. In some cases an additional firmware file for the program memory (xxx.elf.p.S) is also needed, and this file will be automatically provided together with the other two files.



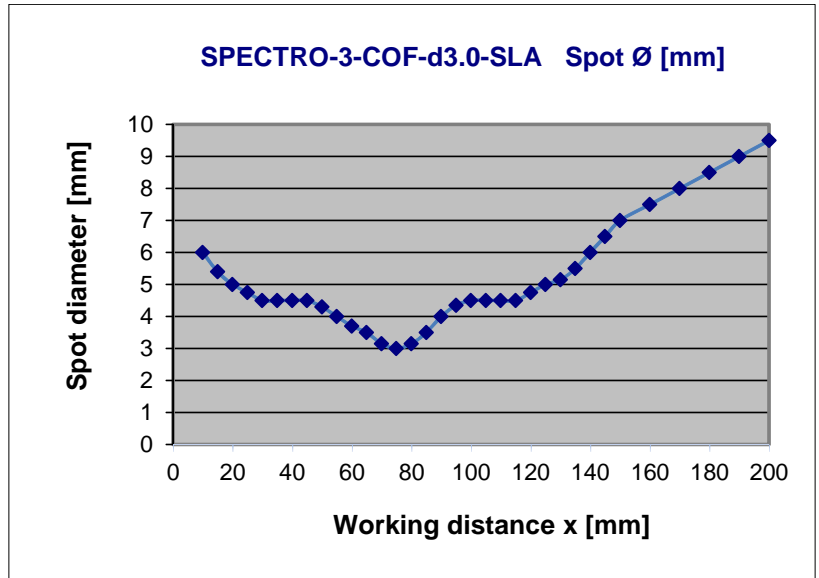


Diagrams

**Diagrams:** SPOT DIAMETER and RELATIVE INTENSITY  
SPECTRO-3-COF-d3.0-SLA

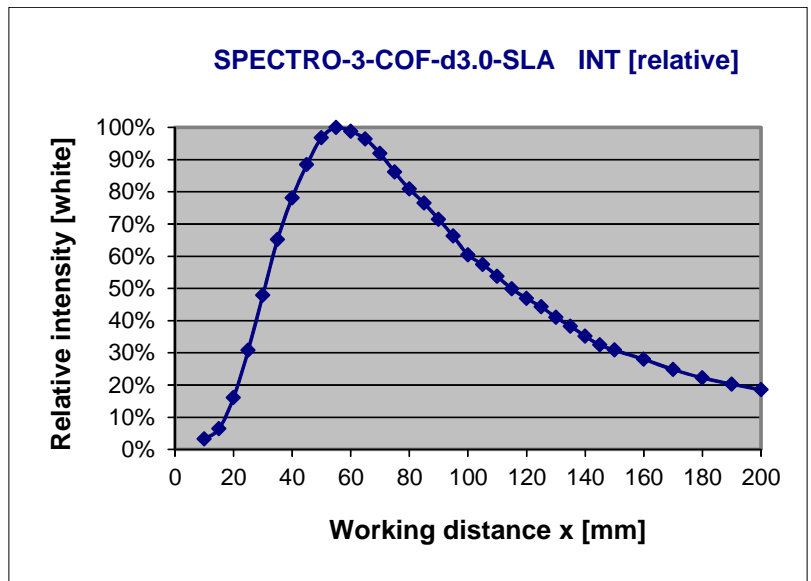
**Spot diameter**

SPECTRO-3-COF-d3.0-SLA:  
3.0mm (typ.) at a working distance of 75 mm



**Relative intensity**

SPECTRO-3-COF-d3.0-SLA:  
100% at a working distance of 55 mm  
(INTENSITY 3242)



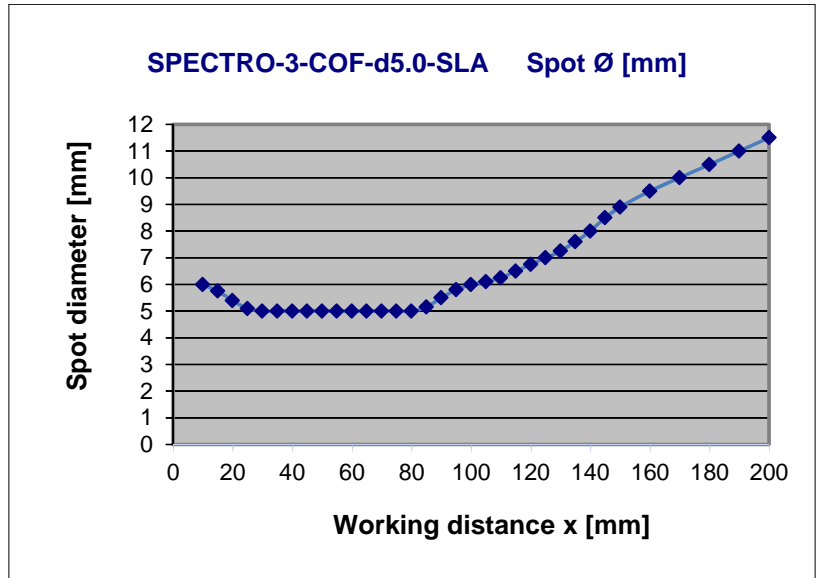


Diagrams

**Diagrams:** SPOT DIAMETER and RELATIVE INTENSITY  
SPECTRO-3-COF-d5.0-SLA

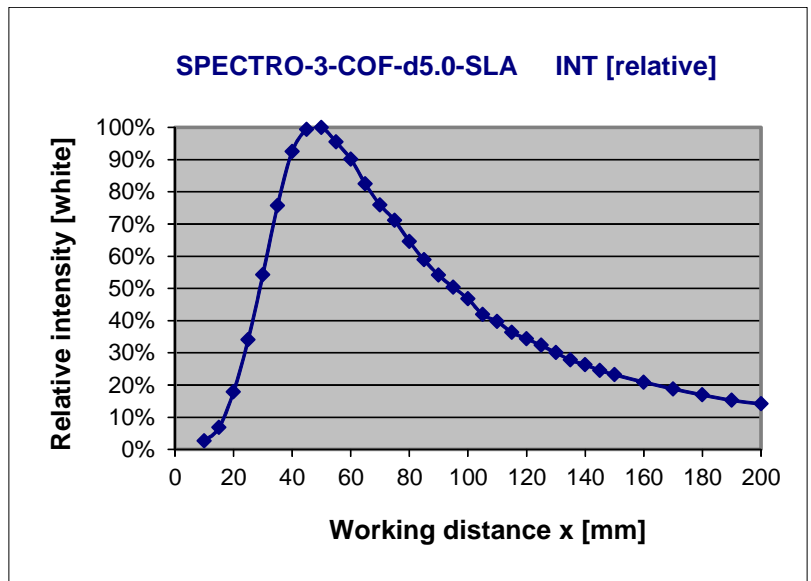
**Spot diameter**

SPECTRO-3-COF-d5.0-SLA:  
5.0mm (typ.) at a working distance of 80 mm



**Relative intensity**

SPECTRO-3-COF-d5.0-SLA:  
100% at a working distance of 50 mm  
(INTENSITY 3462)



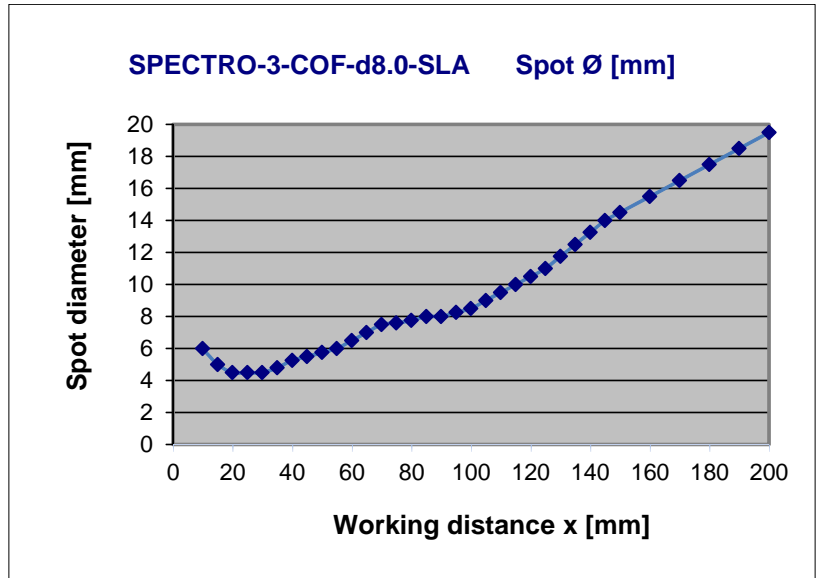


Diagramme

**Diagrams:** SPOT DIAMETER and RELATIVE INTENSITY  
SPECTRO-3-COF-d8.0-SLA

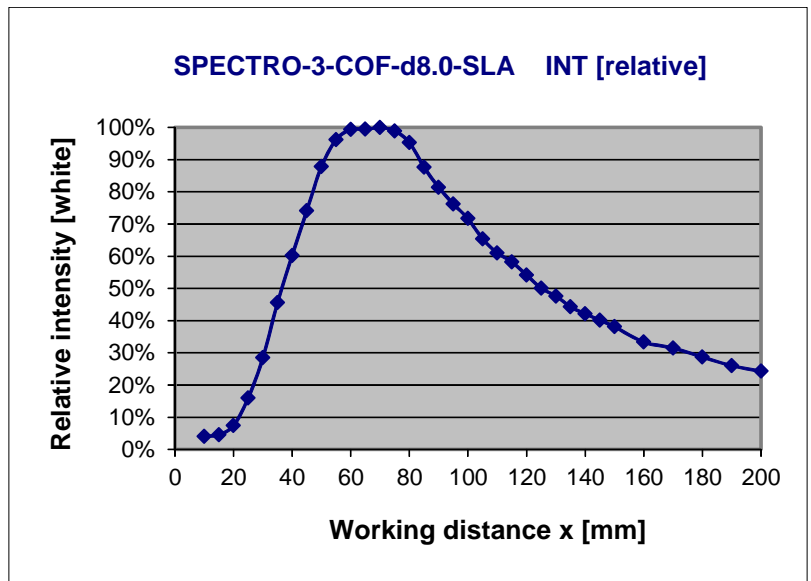
**Spot diameter**

SPECTRO-3-COF-d8.0-SLA:  
8.0 mm (typ.) at a working distance of 85 mm



**Relative intensity**

SPECTRO-3-COF-d8.0-SLA:  
100% at a working distance of 70 mm  
(INTENSITY 3051)



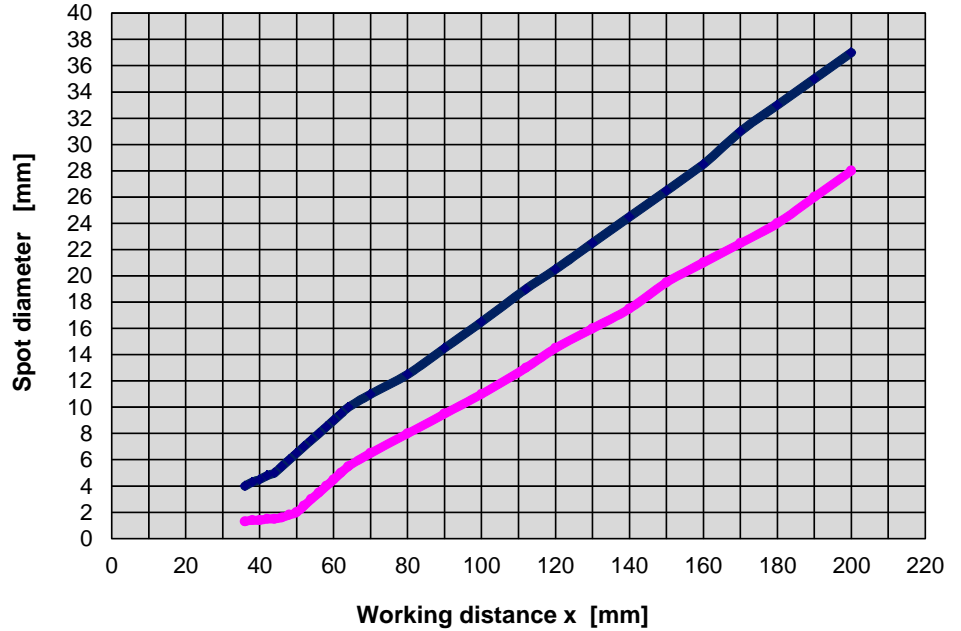
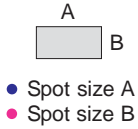


Diagramme

**Diagrams:** SPOT DIAMETER and RELATIVE INTENSITY  
SPECTRO-3-COF-5x1.5-SLA

**Spot diameter**

SPECTRO-3-COF-5x1.5-SLA:  
typ. 5 mm (A) x 1.5 mm (B)  
at a working distance of 45 mm



**Relative intensity**

SPECTRO-3-COF-5x1.5-SLA:  
100% at a working distance of 45 mm  
(INTENSITY 3550)

