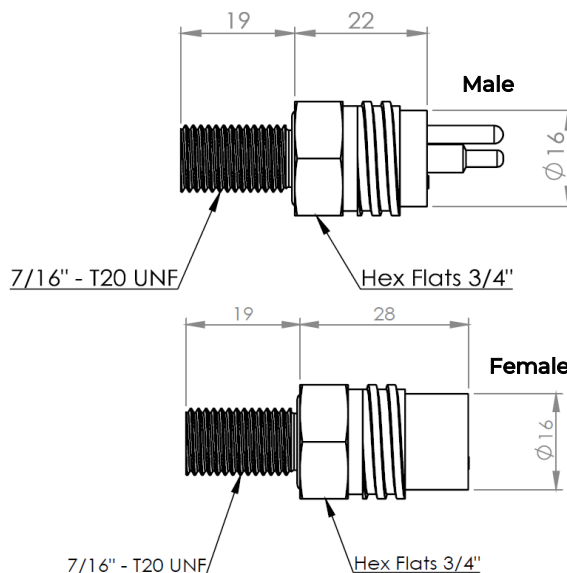
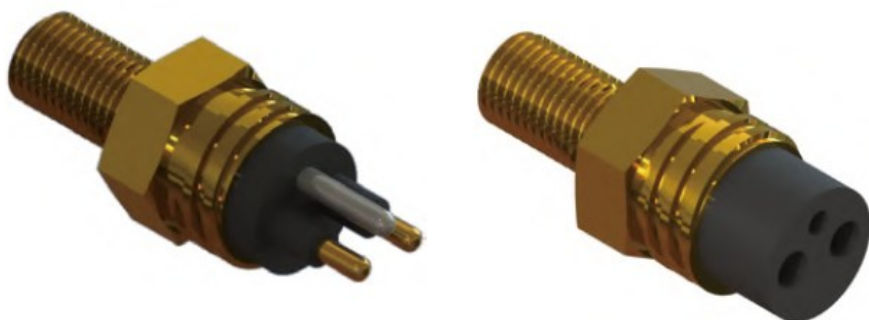


Micro Circular G2 Bulkhead Wet-Mate Underwater Connector



Operation Specification	
Max. voltage	300 V DC
Current rating @contact	5A
Max. current @connector	20A
Insulation resistance	>200 Mohm
Contact resistance	<0.01 ohm
Depth rating	600 bar (300 bar for PEEK)
Temperature rating	-40 to 60 °C

Material Specification	
Connector body	Chloroprene rubber
Bulkhead body	Brass(BR), stainless steel 316(SS), anodized aluminum(AL), titanium(TI) or PEEK(PE)
Contact	Gold plated brass
Socket	Gold plated Beryllium copper
Location pin	Stainless steel 316
Bulkhead leads	AWG 20 PTFE, 30cm
O - rings	NBR 2-014

Face View (Male)



Wiring Color Code

- 1 Black
- 2 White
- 3 Red
- 4 Green

(3 Conductor code: 1 Black, 2 White, 3 Green)

Note: Cabling, contacts, and connector configuration can be customized per customer specification

Build Your Part Number

Example: PSE234M3C1200

Series	
PSE234	
Type - select one	
M	Male
F	Female
Contacts - select one	
2C	2 Contacts
3C	3 Contacts
4C	4 Contacts
Cable Length – specify in feet	
XX	Cable length in feet (ex. 1200 feet = 1200)