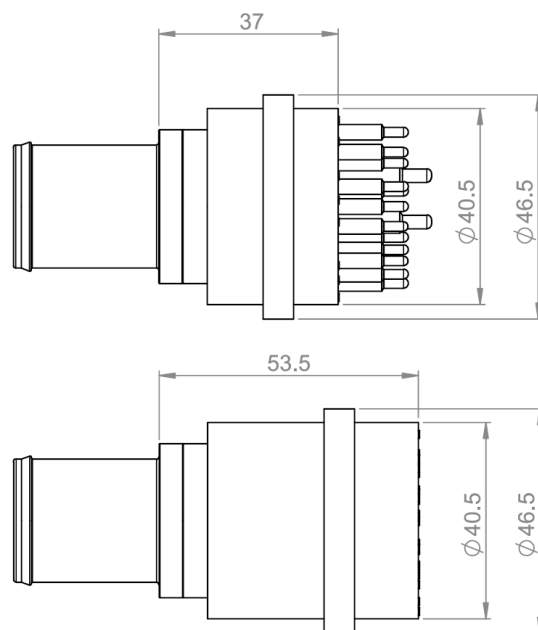
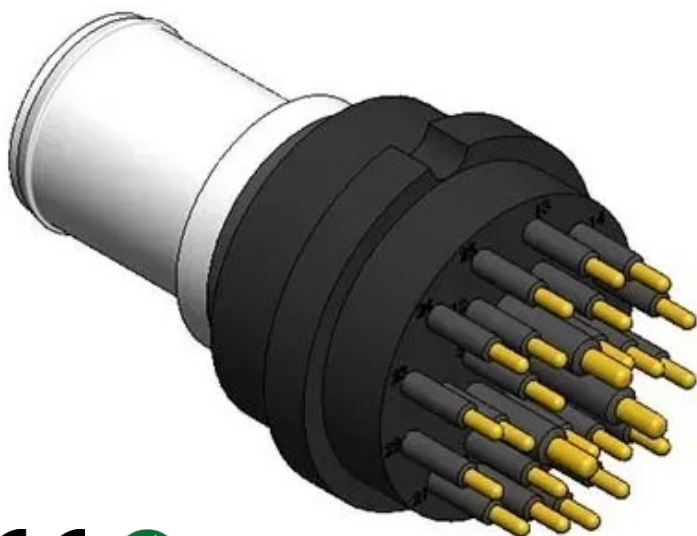


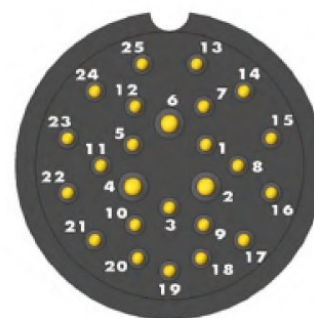
Circular PBOF Wet-Mate Underwater Connector



Operation Specification	
Max. voltage	600 V DC
Current rating @contact	3 POWER CONTACTS 10A
	22 SIGNAL CONTACTS 5A
Max. current @connector	60A
Insulation resistance	>200 Mohm
Contact resistance	<0.01 ohm
Depth rating	600 bar
Temperature rating	-40 to 60°C

Material Specification	
Connector body	Chloroprene rubber
PBOF body	Stainless 316
Contact	Gold plated brass
Socket	Gold plated beryllium copper
Bulkhead leads	3 x 18 AWG PTFE , 30cm
	22 X 20 AWG PTFE , 30cm

Face View (Male)



Note: Cabling, contacts, and connector configuration can be customized per customer specification

Build Your Part Number

Example: **PSE233M25C1200**

Series	PSE233
Type - select one	M Male F Female
Contacts - select one	25C 25 Contacts
Cable Length – specify in feet	XX Cable length in feet (ex. 1200 feet = 1200)