

Circular Dummy Wet-Mate Underwater Connector



Build Your Part Number

Example: PSE232F8C1200

Series	
PSE232	
Type - select one	
M	Male
F	Female
Contacts - select one (view dimensions on page 2)	
1C	1 Contacts
2C	2 Contacts
3C	3 Contacts
4C	4 Contacts
5C	5 Contacts
6C	6 Contacts
8C	8 Contacts
10C	10 Contacts
12C	12 Contacts
16C	16 Contacts
25C	25 Contacts
Cable Length – specify in feet	
XX	Cable length in feet (ex. 1200 feet = 1200)

Technical Parameters For 1, 2, 3, 4, 5, 6, 8, 10, 12, and 16 Contacts

Material Specification	
Connector body	Chloroprene rubber
Contact	Gold plated brass
Location pin	Contact 2,3,4,6: stainless steel 316
	Contact 1,5,8,10,12,16: N/A

Technical Parameters For 25 Contacts

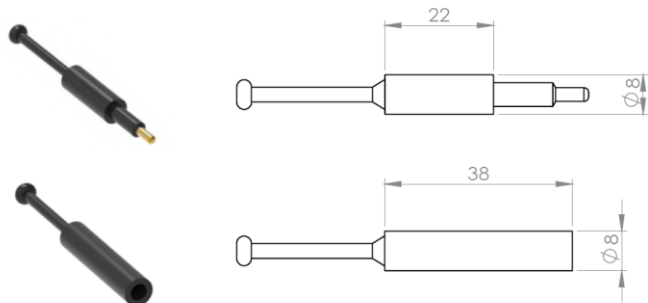
Material Specification	
Connector body	Chloroprene rubber
Contact	Gold plated brass
Location pin	N/A

Dimensions

Dimensions are in millimeters; Threads are in inches

Note: Cabling, contacts, and connector configuration can be customized per customer specification

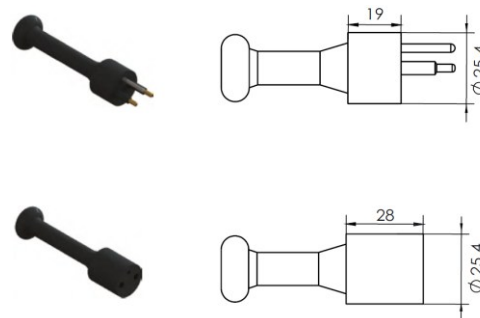
1 Contact



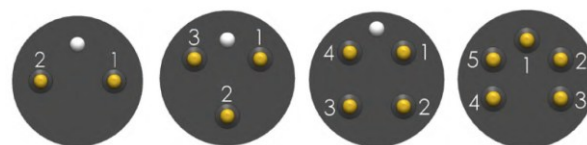
Face View (Male)



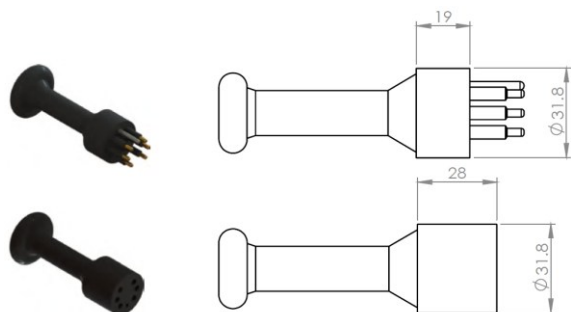
2, 3, 4, and 5 Contacts



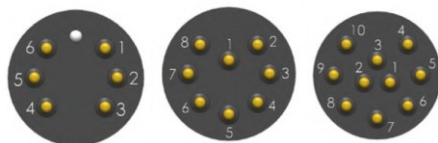
Face View (Male)



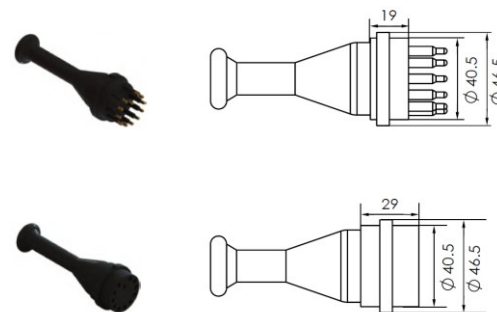
6, 8, and 10 Contacts



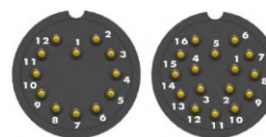
Face View (Male)



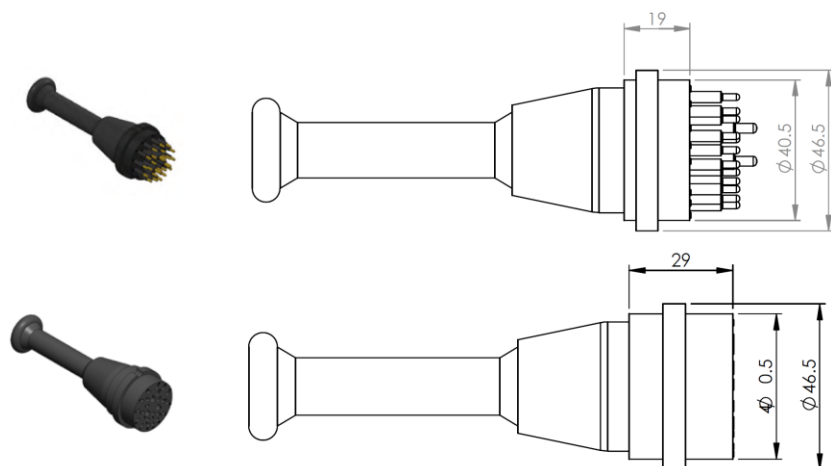
12 and 16 Contacts



Face View (Male)



25 Contacts



Face View (Male)

