

Circular Bulkhead Wet-Mate Underwater Connector



The PSE228 is a rugged subsea bulkhead connector designed to pass power and stable signal connections through an instrument housing or pressure boundary, enabling reliable underwater electrical interfaces in demanding marine environments. Offered in 2, 3, 4, 5, 6, 8, 10, 12, 16, and 25-contact configurations, the PSE228 supports mixed power/signal layouts and is built around a durable rubber contact face with rubber or metal body options to suit different mechanical and corrosion requirements. It is engineered for high-performance underwater operation and rated up to 600 VDC, with depth capability up to 8700 PSI (600 bar) (or 4350 PSI (300 bar) for PEEK variants), making it well-suited for permanent installations on subsea equipment where a threaded bulkhead mount provides secure, repeatable integration.

Build Your Part Number

Example: **PSE228M4C1200**

Series

PSE228

Type - select one

M Male
 F Female

Contacts - select one (view specs on pages 2-5)

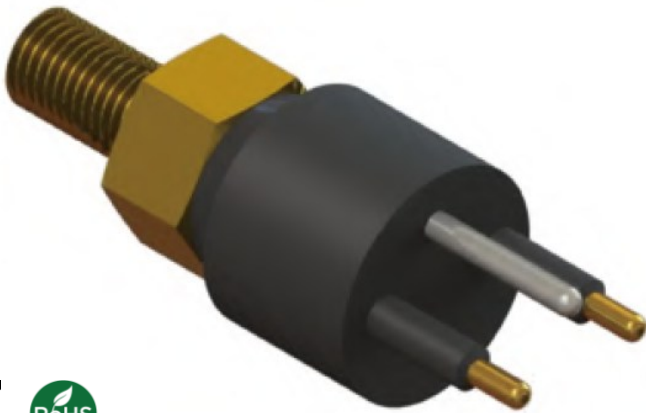
2C 2 Contacts
 3C 3 Contacts
 4C 4 Contacts
 5C 5 Contacts
 6C 6 Contacts
 8C 8 Contacts
 10C 10 Contacts
 12C 12 Contacts
 16C 16 Contacts
 25C 25 Contacts

Cable Length – specify in feet

XX Cable length in feet (ex. 1200 feet = 1200)

Note: Cabling, contacts, and connector configuration can be customized per customer specification

2, 3, 4, 5 Contacts



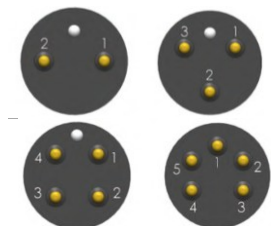
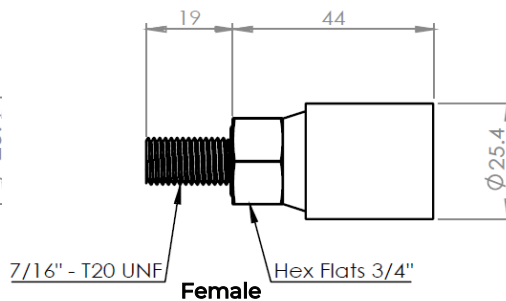
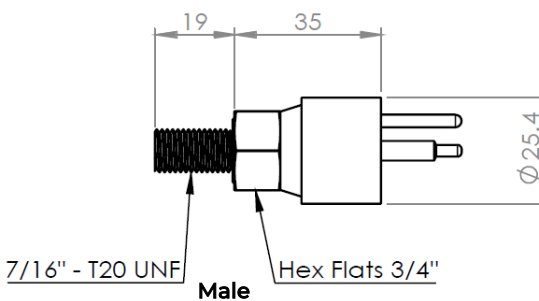
Operation Specification

| | |
|-------------------------|----------------------------|
| Max. voltage | 600 V DC |
| Current rating @contact | 10A |
| Max. current @connector | Contact 2: 20A |
| | Contact 3,4,5: 30A |
| Insulation resistance | >200 Mohm |
| Contact resistance | <0.01 ohm |
| Depth rating | 600 bar (300 bar for PEEK) |
| Temperature rating | -40 to 60°C |

Material Specification

| | |
|----------------|---|
| Connector body | Chloroprene rubber |
| Bulkhead body | Brass(BR), stainless steel 316(SS), anodized aluminum(AL), titanium(TI) or PEEK(PE) |
| Contact | Gold plated brass |
| Socket | Gold plated beryllium copper |
| Location pin | Contact 2,3,4: Stainless steel 316 |
| | Contact 5: N/A |
| Bulkhead leads | AWG 18 PTFE, 30cm |
| O - rings | NBR 2-014 |

Dimensions are in millimeters; Threads are in inches



Wiring Color Code

- 1 Black
- 2 White
- 3 Red
- 4 Green
- 5 Orange

(3 Conductor code: 1 Black, 2 White, 3 Green)

6, 8, 10 Contacts



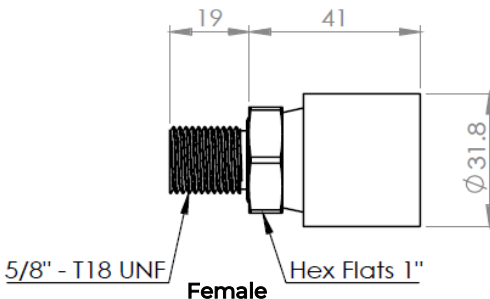
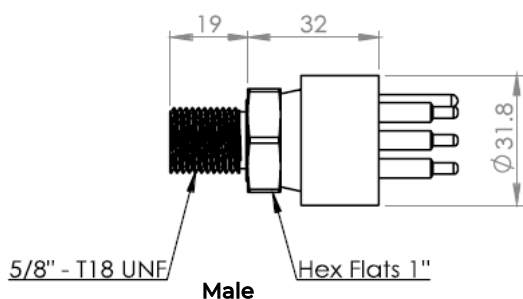
Operation Specification

| | |
|-------------------------|----------------------------|
| Max. voltage | 600 V DC |
| Current rating @contact | 10A |
| Max. current @connector | 50A |
| Insulation resistance | >200 Mohm |
| Contact resistance | <0.01 ohm |
| Depth rating | 600 bar (300 bar for PEEK) |
| Temperature rating | -40 to 60°C |

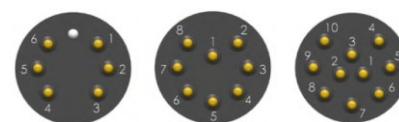
Material Specification

| | |
|----------------|---|
| Connector body | Chloroprene rubber |
| Bulkhead body | Brass(BR), stainless steel 316(SS), anodized aluminum(AL), titanium(TI) or PEEK(PE) |
| Contact | Gold plated brass |
| Socket | Gold plated beryllium copper |
| Location pin | Contact 6: Stainless steel 316 |
| | Contact 8,10: N/A |
| Bulkhead leads | AWG 18 PTFE, 30cm |
| O - rings | NBR 2-017 |

Dimensions are in millimeters; Threads are in inches



Face View (Male)



Wiring Color Code

- 1 Black
- 2 White
- 3 Red
- 4 Green
- 5 Orange
- 6 Blue
- 7 White/black
- 8 Red/black
- 9 Green/black
- 10 Orange/black

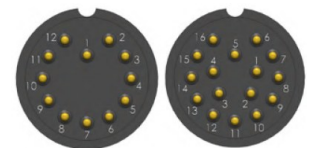
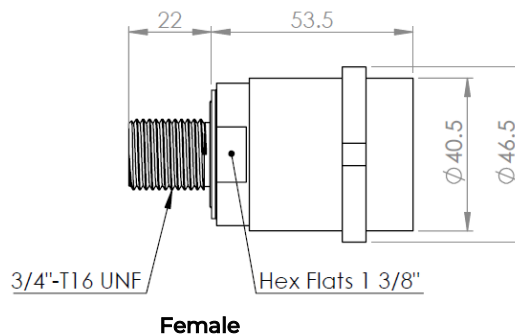
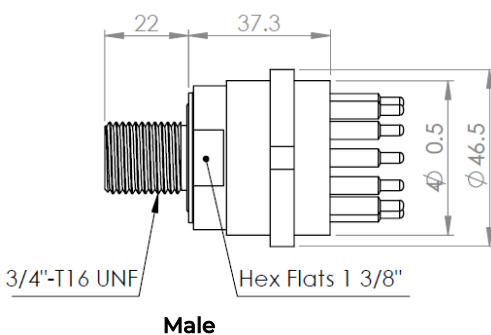
12, 16 Contacts



| Operation Specification | |
|-------------------------|----------------------------|
| Max. voltage | 600 V DC |
| Current rating @contact | 10A |
| Max. current @connector | 60A |
| Insulation resistance | >200 Mohm |
| Contact resistance | <0.01 ohm |
| Depth rating | 600 bar (300 bar for PEEK) |
| Temperature rating | -40 to 60°C |

| Material Specification | |
|------------------------|---|
| Connector body | Chloroprene rubber |
| Bulkhead body | Brass(BR), stainless steel 316(SS), anodized aluminum(AL), titanium(TI) or PEEK(PE) |
| Contact | Gold plated brass |
| Socket | Gold plated beryllium copper |
| Bulkhead leads | AWG 18 PTFE, 30cm |
| O - rings | NBR 2-022 |

Dimensions are in millimeters; Threads are in inches



Wiring Color Code

- 1 Black 4 Green 7 White/black
- 2 White 5 Orange 8 Red/black
- 3 Red 6 Blue 9 Green/black
- 10 Orange/black 13 Red/white 16 Black/red
- 11 Blue/black 14 Green/white
- 12 Black/white 15 Blue/white

25 Contacts



Operation Specification

| | |
|-------------------------|-----------------------|
| Max. voltage | 600 V DC |
| Current rating @contact | 3 POWER CONTACTS 10A |
| | 22 SIGNAL CONTACTS 5A |
| Max. current @connector | 60A |
| Insulation resistance | >200 Mohm |
| Contact resistance | <0.01 ohm |
| Depth rating | 600 bar |
| Temperature rating | -40 to 60°C |

Material Specification

| | |
|----------------|--|
| Connector body | Chloroprene rubber |
| Bulkhead body | Brass,Stainless 316,Titanium,Aluminium |
| Contact | Gold plated brass |
| Socket | Gold plated beryllium copper |
| Bulkhead leads | 3 x 18 AWG PTFE , 30cm |
| | 22 X 20 AWG PTFE , 30cm |
| O - rings | AS-022 |

Dimensions are in millimeters; Threads are in inches

