

Warm Calibrated for Salt Water, Chemicals & more

- Gauge and absolute
- Available in SS, SS316L, duplex and titanium wetted port
- Negative ranges down to full vacuum -14.5 psi
- Positive ranges as low as 0...1.5 psi and up to 500 psi
- -13...+257F media range



About

The P9 is warm calibrated enabling it to deliver temperature compensated output signals with the highest accuracy and repeatability. Wetted process port material options of SS, SS316L, duplex steel and titanium make the P9 a great option for fresh water, sea water, aggressively caustic fluids and more. Last but not least, the P9 offers an impressively extensive selection of wiring pin-out options for its electrical connection configurations.

Applications

- ✓ Chemicals and aggressive media
- ✓ Reverse osmosis
- ✓ Water treatment
- ✓ Low pressure pneumatics
- ✓ Hydraulics
- ✓ Laboratories
- ✓ Test benches

Build Your Part Number

Series P9

Example: **P9G3A115A6B52F1D4**

Series	
P9	

Pressure Reference - select one	
G	Gauge
A	Absolute

Pressure Port & Housing Material - leave blank for standard SS 1.4305 (AISI 303) or select from upgrades below:	
3	SS 1.4404/1.4435 (AISI 316L)
4	SS 1.4462 (AISI 318LN) Duplex
5	Titanium Grade 5

Output Signal - select one		Supply
A	4 ... 20 mA	24 (9 ... 32) VDC
B	0 ... 5 VDC	24 (9 ... 32) VDC
C	0 ... 10 VDC	24 (15 ... 32) VDC
D	0.5 ... 4.5 VDC ratiometric	5 (4.75 ... 5.25) VDC
F	1 ... 6 VDC	24 (9 ... 32) VDC

Pressure Range (psi) - select one		Over Pressure (psi)	Burst Pressure (psi)
11	-14.5 ... 0	15	30
12	0 ... -14.5	15	30
13	-14.5 ... 15	30	45
14	-14.5 ... 30	60	90
15	0 ... 1.5	15	30
16	0 ... 2	15	30
17	0 ... 2.5	15	30
18	0 ... 5	15	30
19	0 ... 10	20	30
21	0 ... 15	30	45
22	0 ... 20	40	60
23	0 ... 25	40	60
24	0 ... 30	60	90
25	0 ... 50	100	150
26	0 ... 100	200	250
27	0 ... 150	300	375
28	0 ... 200	400	600
29	0 ... 250	500	625
31	0 ... 300	500	625
32	0 ... 400	800	1200
33	0 ... 500	1000	1250
XX	Use "XX" for custom ranges (Ex: 0 ... 550 psi) Please inform range below part number		

Build Your Part Number

Series P9

Example: **P9G3A115A6B52F1D4**

Process Connection – select one; see diagrams page 8

5A	1/8" NPT male (note: only available when <i>Pressure Port & Housing Material</i> = 3 and <i>Electrical Connection</i> = 6B or 6D)
5C	1/4" NPT male
5G	7/16"-20UNF-2A male, SAE J1926-3
5H	7/16"-20UNF female, SAE J512 with valve opener
5J	7/16"-20UNF female, SAE J512 without valve opener
5K	7/16"-20UNF male, DIN3866
5L	9/16"-18UNF-2A male, SAE J1926-2
5N	G1/4" male
5P	G1/4" female
5Q	G1/2" male

Electrical Connection – select one; see diagrams page 7

6B	DIN 43650-A	
6D	Male electrical connector M12x1, 5-pole	
6H	Packard Metri-Pack	
6M	2 Meter PVC shielded cable with flying leads	(standard color-coding pin-out, see page 6)
6N	3 Meter PVC shielded cable with flying leads	(standard color-coding pin-out, see page 6)
6P	5 Meter PVC shielded cable with flying leads	(standard color-coding pin-out, see page 6)
6U	2 Meter PUR shielded cable with flying leads	(standard color-coding pin-out, see page 6)
6V	3 Meter PUR shielded cable with flying leads	(standard color-coding pin-out, see page 6)
6W	5 Meter PUR shielded cable with flying leads	(standard color-coding pin-out, see page 6)
6Z	2 Meter EPD Raychem shielded FDR25 cable with flying leads	(standard color-coding pin-out, see page 6)
7A	3 Meter EPD Raychem shielded FDR25 cable with flying leads	(standard color-coding pin-out, see page 6)
7B	5 Meter EPD Raychem shielded FDR25 cable with flying leads	(standard color-coding pin-out, see page 6)

Pin-Out Options – select one; see wiring diagrams page 6

99	Standard
52	Longer lead time and upcharges may apply
61	Longer lead time and upcharges may apply
62	Longer lead time and upcharges may apply
63	Longer lead time and upcharges may apply
71	Longer lead time and upcharges may apply
72	Longer lead time and upcharges may apply
73	Longer lead time and upcharges may apply

Build Your Part Number

Series P9

Example: **P9G3A115A6B52F1D4**

Wetted Sealing Material - select one

F1	Seal FPM, -0.4°F ... +257°F
E1	Seal EPDM, -40°F ... +257°F
N1	Seal NBR, -13°F ... +212°F

Removeable Pressure Peak Damping Element - optional, not available for process connections 5H, 5J, 5K; if not desired, leave blank

D4	0.4 mm - best for viscosities similar to air, water and light oils
D1	1.0 mm - best for viscosities similar to heavy oils

Mating Electrical Connection Assembly - optional; will be quoted as a separate line item

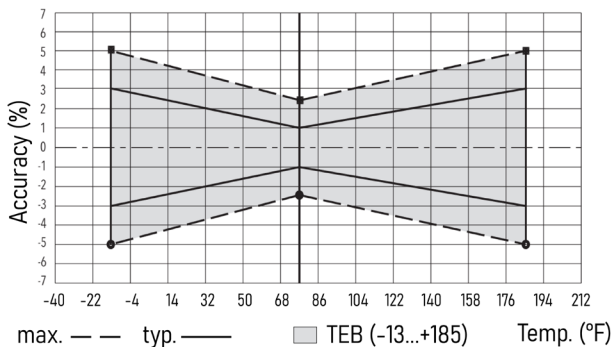
Part#	
PSE1	M12x1, 5 pole – straight with cable gland (field wireable)
PSE2	M12x1, 5 pole - straight with 1 meter PUR cable
PSE3	M12x1, 5 pole - straight with 3 meter PUR cable
PSE14	DIN 43650-A with cable gland (field wireable)
PSE15	DIN 43650-A with 1 meter PUR cable
PSE16	DIN 43650-A with 3 meter PUR cable
PSE17	DIN 43650-A with 1 meter PUR shielded cable
PSE18	DIN 43650-A with 3 meter PUR shielded cable
PSE19	DIN 43650-A with 1/2" NPT female & cable gland (field wireable)
PSE20	Packard Metri-Pack with 1 meter PUR cable
PSE21	Packard Metri-Pack with 3 meter PUR cable

Technical Parameters

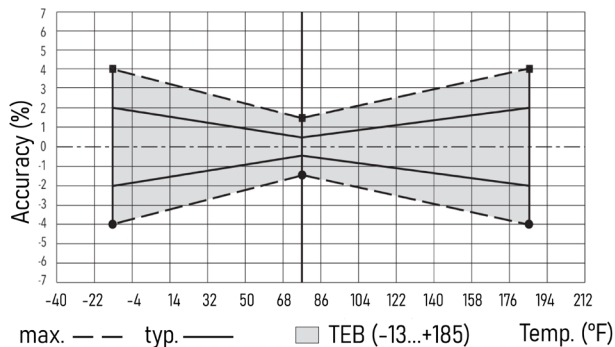
Technical Parameters		
Accuracy	At 77°F	≥0...5 psi (±0.3%), ≥0...2.5 <5 psi (±0.5%), ≥0...1.5 < 0...2.5 psi ((±1.0%), FS typical
	TEB (Total Error Band) from -13...+185°F	≥0...5 psi (±1%), ≥0...2.5 <5 psi (±2%), ≥0...1.5 < 0...2.5 psi (±3.0%), FS typical
	NLH (nonlinearity & hysteresis) at 77°F (BSL)	≥0...5 psi (±0.2%), ≥0...2.5 <5 psi (± 0.3%), ≥0...1.5 < 0...2.5 psi (±0.3%), FS typical
	TC zero point and span	± 0.02%
	Long term stability 1 year at 77°F	± 0.2%
	Rise time	1 ms typical
Electrical	Power-on delay	1.5 second max
	Inverse-polarity protection, short circuit strength at 77°F for 5 min.	4...20 mA: to Us = 30 VDC 1... 6 VDC ranges, 0...5 VDC, 0 ... 10 VDC ranges: to Us = 30 VDC 0.5...4.5 VDC ratiometric: to Us = 5.25 VDC
Environmental	Media temperature	-13°F ... +257°F
	Ambient temperature	-13°F ... +257°F / Cables: PVC = 23...140F, PUR = -4...158F, Raychem = -4...212F
	Protection	IP65, IP67, IP68
	Humidity	Max. 95% relative
	Vibration	15 g RMS (20...2000 Hz) (EN60068-2-64) 15 g sin (10...2000 Hz) (EN60068-2-6)
	Shock	50 g / 1 ms (EN60068-2-27)
EMC	Emission	EN/IEC 61000-6-3
	Immunity	EN/IEC 61000-6-2
Mechanical	Wetted parts (sensor)	Ceramic, Al2O3 (96%)
	Wetted parts (process connection)	1.40305 (AISI303), 1.4404/1.4435 (AISI316L), 1.4462 (AISI318LN), Titanium Grade 5
	Housing	1.40305 (AISI303), 1.4404/1.4435 (AISI316L), 1.4462 (AISI318LN), Titanium Grade 5
	Sealing	FKM 70 Sh, CR, EPDM
	Weight	appr. 110 g
	Installation torque	15...20 Nm

Accuracy Across Temperature

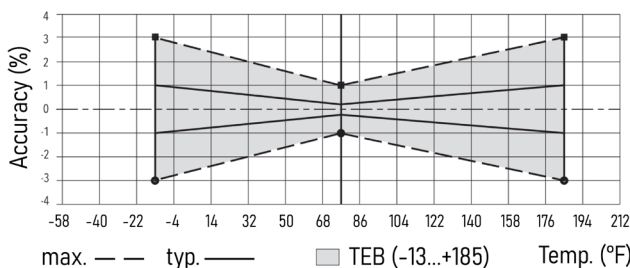
< 2.5 psi



2.5 psi ≤ X < 5 psi



≥ 5 psi



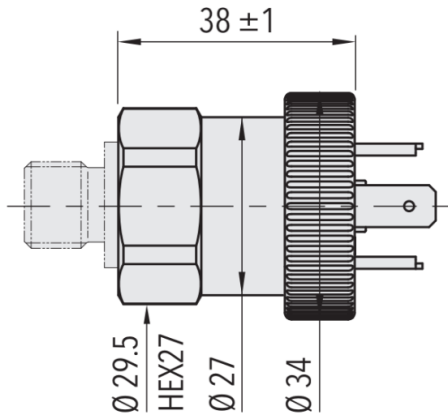
Pin-Out Options

		Protection / Electrical Connection							
		IP65 ^{1) 2)}		IP67 ^{1) 2)}			IP67 ^{1) 2)}		
		Industrial Standard EN175301-803A		M12x1 5-pole			Packard Metri Pack		
		6B		6D			6H		
Output Signal	A		99	52	99	61	62	99	63
		<ul style="list-style-type: none"> ⊕ U_S (pos. Supply) ⊖ U_S (neg. Supply) ⊕ Earth (housing) Shield ³⁾ 	2	1	4	1	1	1	1
			1	2	1	3	3	2	3
			4	4	5	5	4		
Output Signal	B, C, D, F		99	71	72	99		99	73
		<ul style="list-style-type: none"> ⊕ Supply ⊕ Output ⊖ Common ⊕ Earth (housing) Shield ³⁾ for DC	2	3	1	2		1	1
			3	1	3	4		3	2
			1	2	2	3		2	3
			4	4	4	5			

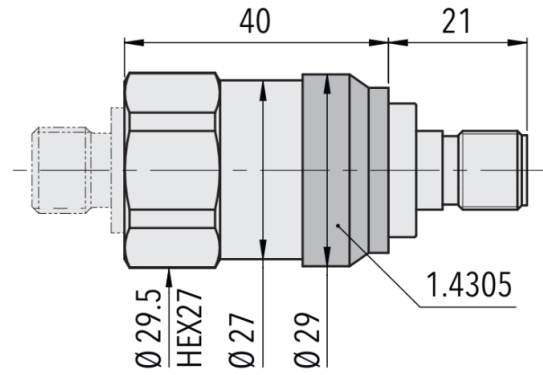
- 1) Provided female connector is mounted according to instructions
- 2) Ventilation via male electric plug/cable end
- 3) Only cable versions or female electrical plug with shield connection

		Protection / Electrical Connection		
		IP68 max. 3 m	IP68 max. 3 m	
		Cable ²⁾	Cable ²⁾	
		PVC / PUR	EPD Raychem	
Output Signal	A		White Brown Yellow	Red Black Green
		<ul style="list-style-type: none"> ⊕ U_S (pos. Supply) ⊖ U_S (neg. Supply) ⊕ Earth (housing) Shield ³⁾ 		
Output Signal	B, C, D, F		White Green Brown Yellow	Red White Black Green
		<ul style="list-style-type: none"> ⊕ Supply ⊕ Output ⊖ Common ⊕ Earth (housing) Shield ³⁾ for DC		

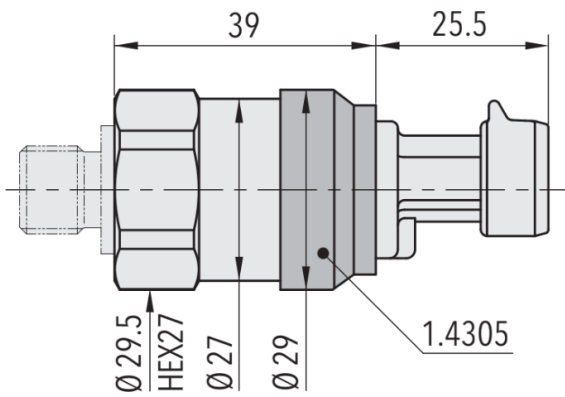
Electrical Connection Dimensions



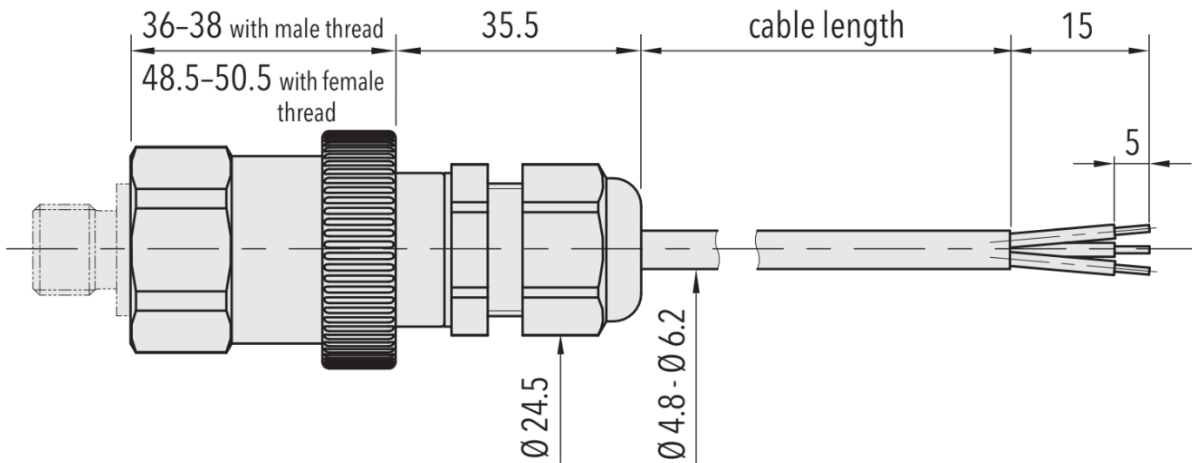
DIN 43650-A



M12x1 - 5-pole

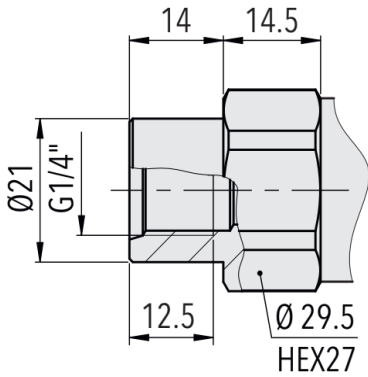


Packard Metri-Pack

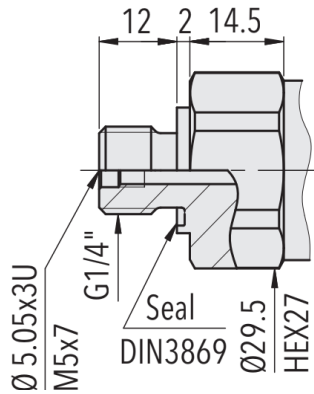


PVC/PUR/EPD Raychem shielded cable with flying leads

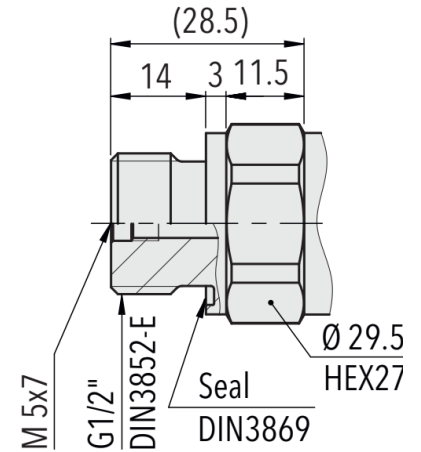
Process Connection Dimensions



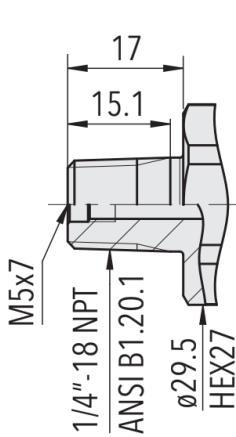
G1/4" female



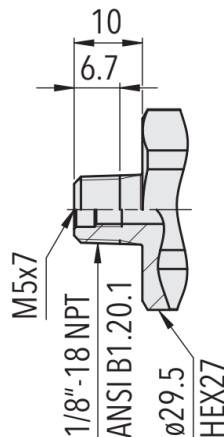
G1/4" male



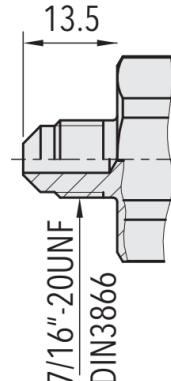
G1/2" male



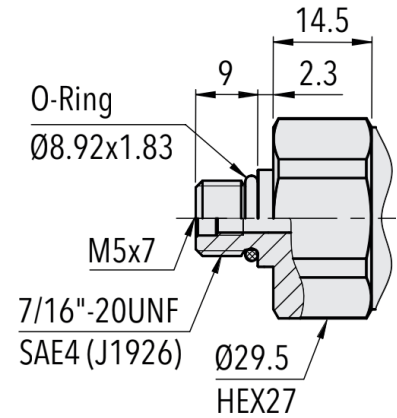
1/4" NPT male



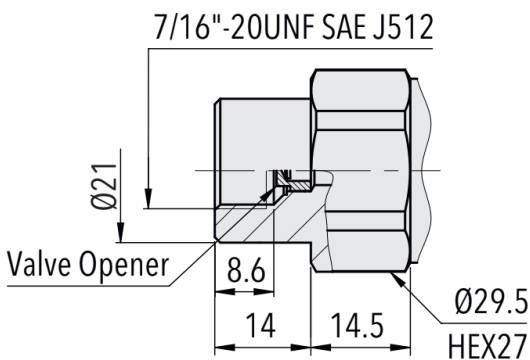
1/2" NPT male



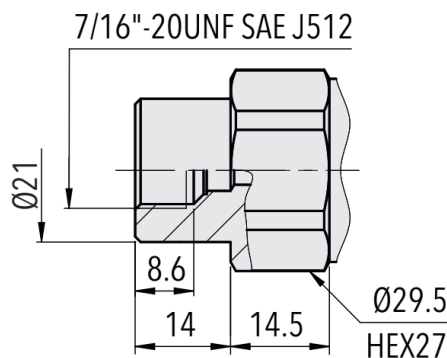
7/16"-20UNF male,
DIN 3866



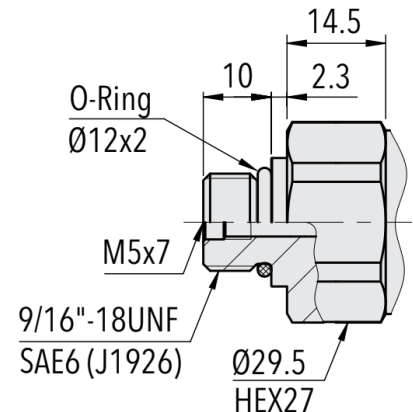
7/16"-20UNF 2A male,
SAE J1926-3



7/16"-20UNF female,
SAE J512 with valve
opener

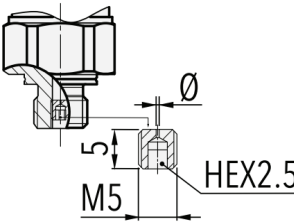


7/16"-20UNF female,
SAE J512 without
valve opener



9/16"-18UNF-2A male,
SAE J1926-3

Removable Pressure Peak Damping Element

Dimensions	Diameter Restrictions	Ordering Code
	0.4 mm	D4
	1.0 mm	D1



PAQUIN

SENSORS

Paquin Sensors' product portfolio is designed to provide options to fit the most diverse range of specifications.

We collaborate with our customers to match the best product technologies with your unique application requirements.

Please [contact us](#) or call +1 (800) 831-8217 anytime to discuss your needs!