

# P66 Temperature Signal Converter 4...20mA

- Converts RTD temperature resistance into an accurate and continuous amplified output signal (4...20mA or 20...4mA)
- For use with Paquin PT100's and PT1000's (M12 connection)
- Easily installed and/or removed in the field
- Can be delivered pre-programmed
- Temperature ranges quickly, easily and fully adjustable by optional the PSCR1 range configuration kit
- 316L construction
- IP67



## About

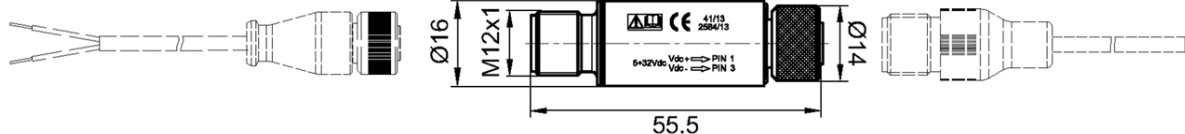
The P66 programmable temperature signal converter can be quickly installed onto Paquin PT100 and PT1000s (with M12 connection) for immediate conversion of the temperature resistance to a continuous 4...20mA or 20...4mA output signal. Can be delivered pre-calibrated to the zero point and span temperature requirement of the application. With the PSCR1, users can also quickly adjust the temperature zero point and span by easy connection to a laptop. Simply plug in, click the newly desired coordinates, and walk away.

## Applications

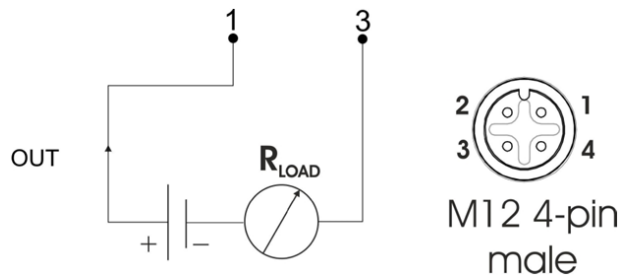
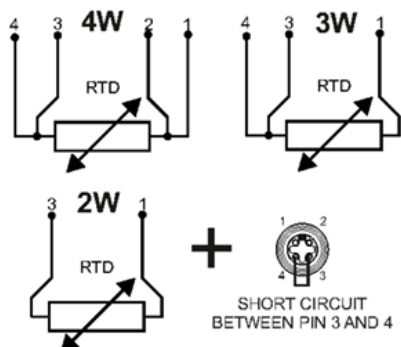
- ✓ All applications

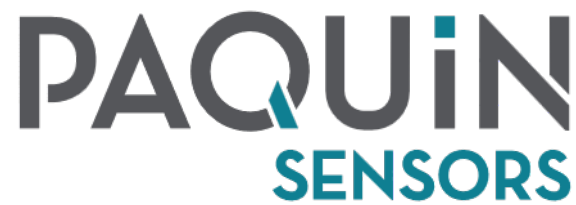
# P66 Temperature Signal Converter 4...20mA

Technical Parameters		
Programmable Interface	Range configuration kit PSCR1	Optional accessory and not required Easy programmability by PC with Windows operating system
Electrical	Galvanic isolation	2KVdc/1s
	Power Supply	5.5...32 VDC (polarity protected) with ~100ua excitation current
	Use with	Paquin PT100 / PT1000 with 2, 3 or 4 wire connection & M12
	Input signal filter	Time to reach 90% of signal: configurable from 0.4...9.4 seconds
	Output signal	4...20mA and convertible to 20...4mA
	Permitted load	840Ω @ 24 VDC
	Factory default	Sensor break >21mA (adjustable) Sensor short-circuit <3.6mA (adjustable)
	Sensor break or short-circuit monitoring	According to NAMUR NE43, selectable between: Upper scale (> 21.0 mA) Lower scale (< 3.6 mA)
Accuracy	Accuracy @ 77°F	Max value between +/-0.1K and +/-0.1% of span
	Minimum span	68°F
	Long term stability	Max 0.1% of span per year
	Sensor error compensation	+/-41°F over two points
	Measurement range	-328...+ 1,472°F (may require diffuser for extreme temperatures)
Environmental	Operating temperature	-40...+185°F (designed for deployment onto RTD's measuring from -58...+932°F)
	Storage temperature	-4...+185°F
	Humidity	0 ...100%
	Housing material	AISI 316L stainless steel
EMC	In accordance to	EN 61326-1 :2013 (CE) BS EN 61326-1 :2013 (UKCA)



misure in mm \ measurements are in mm





*Paquin Sensors' product portfolio is designed to provide options to fit the most diverse range of specifications.*

*We collaborate with our customers to match the best product technologies with your unique application requirements.*

Please [contact us](#) or call +1 (800) 831-8217 anytime to discuss your needs!