

PT1000 Transmitter

- Small form factor
- Mineral insulated
- Ranges from -72...230°F
- Standard and custom ranges
- 0...10VDC output signal
- Thermoplastic housing



About

The P59 is a compact high-quality OEM PT1000 transmitter with one of the most compact envelope packages in the market. Reverse polarity protected and produced with a highly durable thermoplastic housing, the P59 is an excellent sensing solution for a host of industries.

Applications

- ✓ Generators
- ✓ Compressors
- ✓ HVAC-R
- ✓ CNC machines
- ✓ Skid Packagers
- ✓ Test Benches

Build Your Part Number

Series P59

Example: P59H15A116CAT1

Series	
P59	

Housing Material	
H1	Thermoplastic

Process Connection - select one	
5A	1/8" NPT male
5C	1/4" NPT male
5M	G 1/8" male
5N	G1/4" male

Probe Length - select one; see dimensions page 3	
T1	13 mm
T2	24 mm

Electrical Connection - select one	
6C	Male electrical connector M12x1, 4-pole

Output Signal - select one		Supply
C	0 ... 10 VDC	24 (20 ... 28)VDC

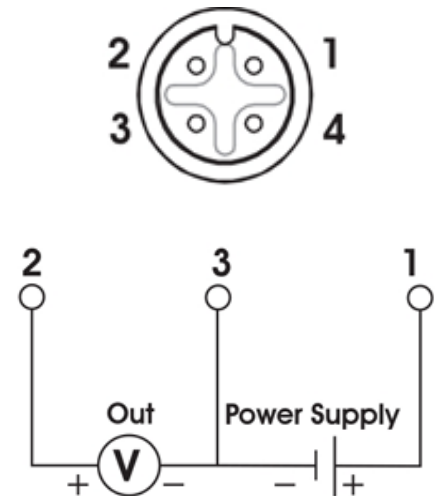
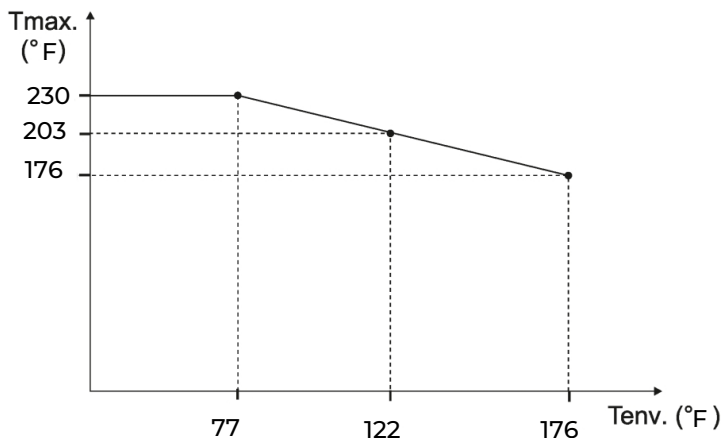
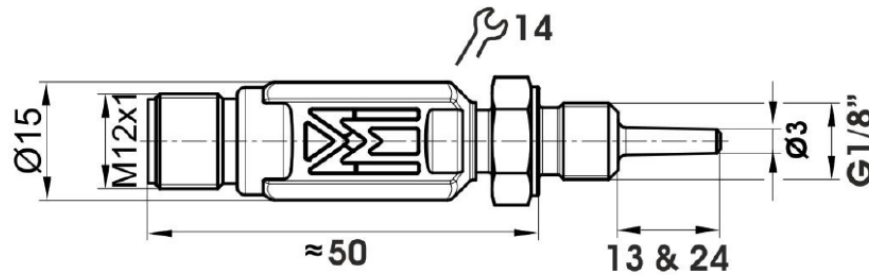
Calibrated Range -72 ...+230°F - select one	
T1	32...212°F
T2	-58...122°F
XX	Use "X...XXX" for custom ranges (Ex: ex: -0...+125°F / ex: -32...+95°F / ex: +25...180°F) Please inform range below part number

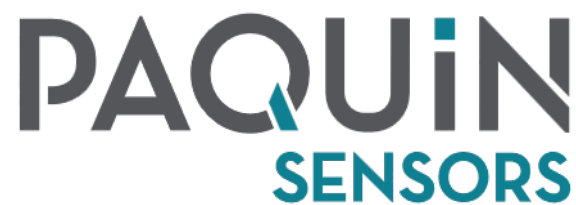
Mating Electrical Connection Assembly - optional; will be quoted as a separate line item	
Part#	
PSE1	M12x1, 5 pole - straight with cable gland (field wireable)
PSE2	M12x1, 5 pole - straight with 1 meter PUR cable
PSE3	M12x1, 5 pole - straight with 3 meter PUR cable
PSE4	M12x1, 5 pole - straight with 1 meter PUR shielded cable
PSE5	M12x1, 5 pole - straight with 3 meter PUR shielded cable
PSE6	M12x1, 5 pole - 90° (field wireable)
PSE7	M12x1, 5 pole - 90° with 1 meter PUR shielded cable
PSE8	M12x1, 5 pole - 90° with 3 meter PUR shielded cable

Technical Parameters

Technical Parameters		
Accuracy	PT1000	IEC751 / Class A according to IEC751
	@ 77°F	Max value between ±32°C and ±0.2% of span
	Temp. influence deviation from 68°F	Max value between ±32°F/77°F and ±0.15% of range
	Response time	< 3.5 seconds typical
Electrical	Supply	20 ...28 Vcc (VDC)
	Output signal	0 ... 10VDC
	Sensor failure signal	> 10.5 VDC rising temperature / 0 VDC falling temperature
	Short circuit indication	0 VDC constant signal
	Load	Max load 10K Ω
	Electronics temperature range	-40...175°
	Range configurability	From -58...+230°F with P60 configuration kit
	Inverse-polarity protection	Yes
Environmental	Media / Measurement range	-58 ...+230°F
	Electronics range	-40 ...+176°F
	Protection	IP65/67
EMC	In accordance to	EN 61326-1 :2013
Mechanical	Max working pressure	1450 psig
	Wetted parts (sensor)	AISI 316L
	Wetted parts (process connection)	AISI 316L
	Housing	Thermoplastic
	Sealing	G Threads: By flat gasket, PTFE sealing tape or other (not supplied with sensor)
	Weight	20g (13mm) / 21g (24mm)

Dimensions (mm)





Paquin Sensors' product portfolio is designed to provide options to fit the most diverse range of specifications.

We collaborate with our customers to match the best product technologies with your unique application requirements.

Please [contact us](#) or call +1 (800) 831-8217 anytime to discuss your needs!