

# PT100 Transmitter

- Smallest form factor
- From temperature change to output signal response time in less than 3.5 seconds
- User configurable from -58...230°F
- Zero point and span adjustment
- 4 ... 20mA or optional 20 ... 4mA output signal
- Available with a 316L or thermoplastic housing



## About

The P58 is a compact high-quality OEM PT100 transmitter with one of the most compact envelope packages in the market. Reverse polarity protected and available as 4...20mA or 20...4mA in either a 316L or highly durable thermoplastic housing. An excellent sensing solution for a host of industries.

## Applications

- ✓ Generators
- ✓ Compressors
- ✓ HVAC-R
- ✓ CNC machines
- ✓ Skid Packagers
- ✓ Test Benches

# Build Your Part Number

## Series P58

Example: P58H15A116CAT1

<b>Series</b>	
P58	

<b>Housing Material - select one; see page 4</b>	
H1	Thermoplastic
H2	316L Stainless steel

<b>Process Connection - select one</b>	
5A	1/8" NPT male
5M	G 1/8" male

<b>Probe Length - select one; see dimensions page 4</b>	
11	13 mm (3 mm probe diameter)
12	24 mm (3 mm probe diameter)
13	35 mm (4 mm probe diameter)

<b>Electrical Connection - select one</b>	
6C	Male electrical connector M12x1, 4-pole

<b>Output Signal - select one</b>		<b>Supply</b>
A	4 ... 20 mA	24 (5.5 ... 32) VDC
Y	20 ... 4 mA	24 (5.5 ... 32) VDC

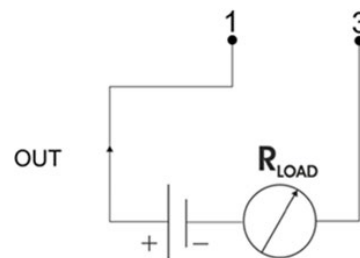
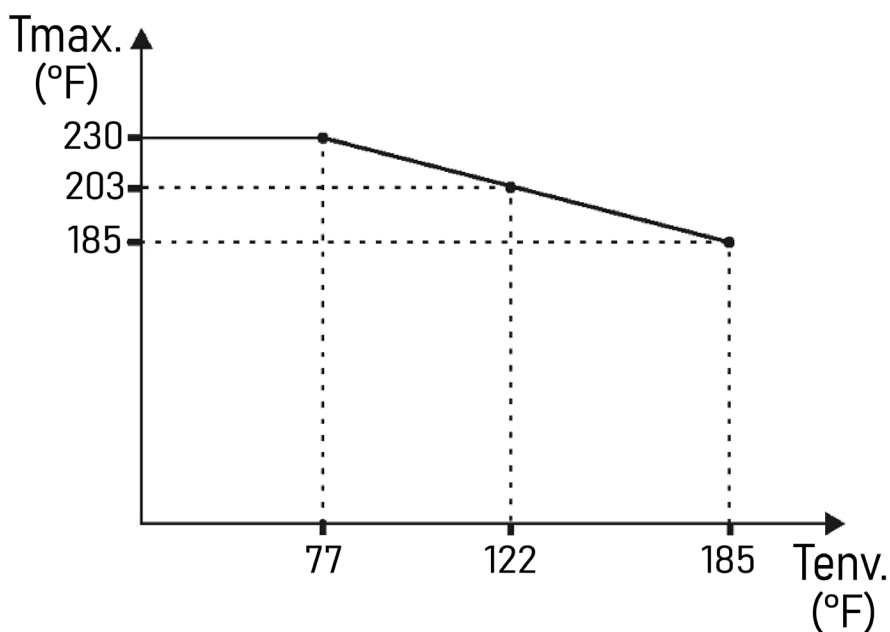
<b>Calibrated Range -58 ...+230°F - select one</b>	
TI	0...212°F factory default Note: can be scaled by user with PSRC1 configuration kit (see page 6) Note: from zero point to full span, minimum tolerance = 68°F
XX	Use "X...XXX" for custom ranges (Ex: ex: -0...+125°F / ex: -32...+95°F / ex: +25...180°F) Please inform range below part number Note: from zero point to full span, minimum tolerance = 68°F

<b>Mating Electrical Connection Assembly - optional; will be quoted as a separate line item</b>	
<b>Part#</b>	
PSE1	M12x1, 5 pole - straight with cable gland (field wireable)
PSE2	M12x1, 5 pole - straight with 1 meter PUR cable
PSE3	M12x1, 5 pole - straight with 3 meter PUR cable
PSE4	M12x1, 5 pole - straight with 1 meter PUR shielded cable
PSE5	M12x1, 5 pole - straight with 3 meter PUR shielded cable
PSE6	M12x1, 5 pole - 90° (field wireable)
PSE7	M12x1, 5 pole - 90° with 1 meter PUR shielded cable
PSE8	M12x1, 5 pole - 90° with 3 meter PUR shielded cable

<b>Range Configuration Kit - optional; will be quoted as a separate line item; see page 5</b>	
<b>Part#</b>	
PSRC1	To be used with a PC and windows operating system

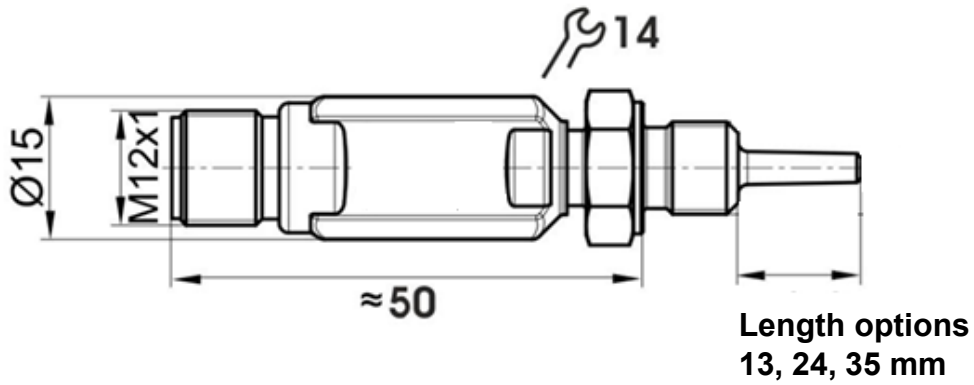
# Technical Parameters

Technical Parameters		
<b>Accuracy</b>	PT100	Class A according to IEC 751
	@ 77°F	Max value between ±0.1K and ±0.1% of span
	Temp. influence deviation from 68°F	Max value between ±33°F/77°F and ±0.3% of span/77°F
	Long term stability	Max 0.1% of span per year
	Minimum span	68°F
	Internal accuracy error compensation	±41°F over two points
	Response time	<3.5 seconds
	Input filter (time to reach 90% of signal)	Configurable from 0.4 ... 9.4 seconds
	Zero point and span adjustment	By ±9°F at each end (with configuration kit)
<b>Electrical</b>	Supply	5.5 ...32 VDC
	Output signal	4 ... 20mA or 20 ... 4mA
	Sensors open (break) indication	Output signal will default to 21mA in accordance to NAMUR NE43 Can be switched to 3.6mA with configuration kit
	Short circuit indication	Output signal will default to 3.6mA in accordance to NAMUR NE43 Can be switched to 21mA with configuration kit
	Load	Max load 840Ω @ 24 VDC (Resistance load = (Voltage supply - 5.5) / 0.022)
	Range configurability	From -58...+230°F with P60 configuration kit
	Inverse-polarity protection	Yes
<b>Environmental</b>	Media / Measurement range	-58 ...+230°F
	Electronics range	-40 ...+185°F
	Protection	IP67
	Humidity	0 ...100%
<b>EMC</b>	In accordance to	EN 61326-1 :2013 (CE)
	In accordance to	BS EN 61326-1 :2013 (UKCA)
<b>Mechanical</b>	Wetted parts (sensor)	AISI 316L
	Wetted parts (process connection)	AISI 316L
	Housing	Thermoplastic or AISI 316L
	Sealing	By flat gasket, PTFE sealing tape or other (not supplied with sensor)
	Weight	20g (13mm) / 21g (24mm)

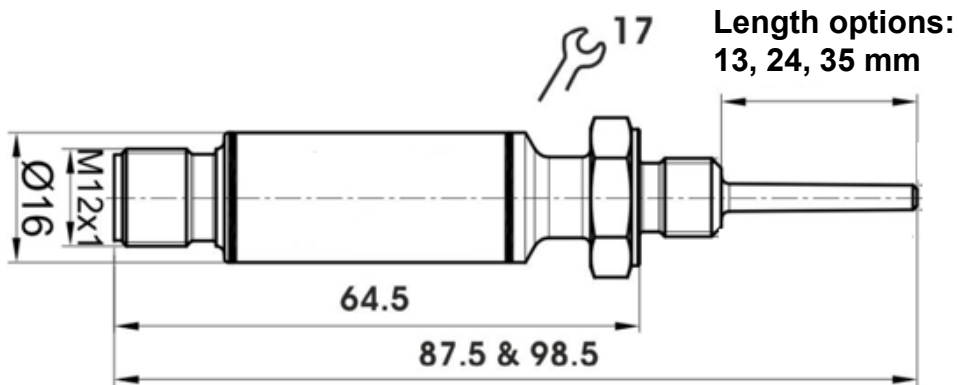


# Dimensions (mm)

Option H1  
Thermoplastic



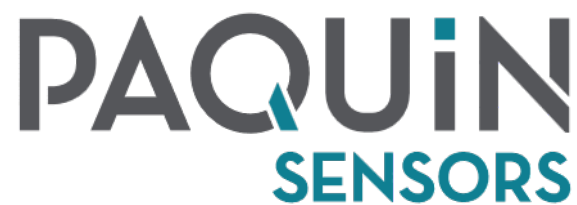
Option H2  
316L Stainless Steel



# PSRC1 Range Configurator Kit

Technical Parameters		
<b>Communication Interface</b>	Connect to PC by USB	No additional power source required
	Compatible operating systems	Windows 7,8,10 (32 or 64 bit edition)
	Free space on PC	50 Mbytes
	PC port	1x USA 1.1 or later type A port
<b>Electrical</b>	Galvanic isolation	2KVdc/1s
<b>Environmental</b>	Operating temperature	0...+122°F
	Storage temperature	-4...+185°F
	Humidity	0 ...90%
<b>EMC</b>	In accordance to	EN 61326-1 :2013 (CE)
	In accordance to	BS EN 61326-1 :2013 (UKCA)





*Paquin Sensors' product portfolio is designed to provide options to fit the most diverse range of specifications.*

*We collaborate with our customers to match the best product technologies with your unique application requirements.*

*Please [contact us](#) or call +1 (800) 831-8217 anytime to discuss your needs!*