

PT100 with 4...20mA

- Small form factor
- From temperature change to output signal response time in 0.4 seconds
- User configurable from -58...230°F
- 4 ... 20mA or optional 20 ... 4mA output signal
- Available with a 316L or thermoplastic housing



About

The P58 is a compact high-quality OEM PT00 transmitter with one of the most compact envelope packages in the market. Reverse polarity protected and available as 4...20mA or 20...4mA in either a 316L or highly durable thermoplastic housing. An excellent sensing solution for a host of industries.

Applications

- ✓ Generators
- ✓ Compressors
- ✓ HVAC-R
- ✓ CNC machines
- ✓ Skid Packagers
- ✓ Test Benches

Build Your Part Number

Series P58

Example: P58H15A116CAT1

Series	
P58	

Housing Material - <i>select one; see page 3</i>	
H1	Thermoplastic
H2	316L Stainless steel

Process Connection - <i>select one</i>	
5A	1/8" NPT male
5M	G 1/8" male

Probe Length - <i>select one</i>	
11	13 mm
12	24 mm

Electrical Connection - <i>select one</i>	
6C	Male electrical connector M12x1, 4-pole

Output Signal - <i>select one</i>		Supply
A	4 ... 20 mA	24 (5.5 ... 32) VDC
Y	20 ... 4 mA	24 (5.5 ... 32) VDC

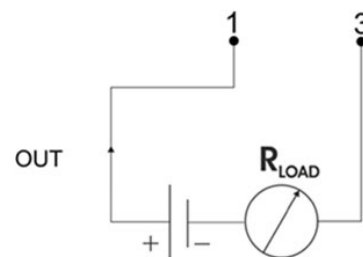
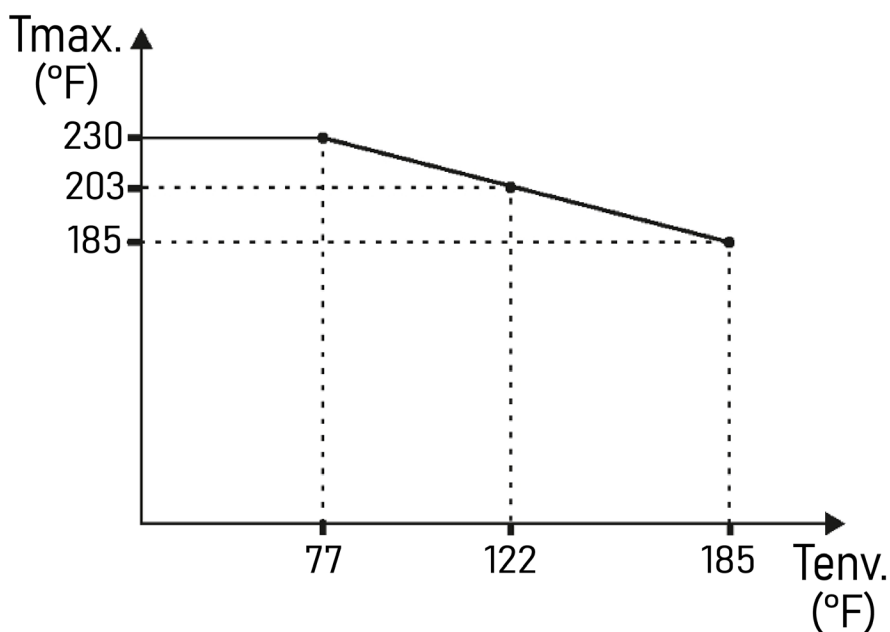
Media Temperature Range -58 ...+230°F - <i>select one</i>	
TI	0...212°F factory default Note: can be scaled by user with PSRC1 configuration kit (see page 6) Note: from zero point to full span, minimum tolerance = 68°F
XX	Use "X...XXX" for custom ranges (Ex: ex: -0...+125°F / ex: -32...+95°F / ex: +25...180°F) Please inform range below part number Note: from zero point to full span, minimum tolerance = 68°F

Mating Electrical Connection Assembly - <i>optional; will be quoted as a separate line item</i>	
Part#	
PSE1	M12x1, 5 pole - straight with cable gland (field wireable)
PSE2	M12x1, 5 pole - straight with 1 meter PUR cable
PSE3	M12x1, 5 pole - straight with 3 meter PUR cable
PSE4	M12x1, 5 pole - straight with 1 meter PUR shielded cable
PSE5	M12x1, 5 pole - straight with 3 meter PUR shielded cable
PSE6	M12x1, 5 pole - 90° (field wireable)
PSE7	M12x1, 5 pole - 90° with 1 meter PUR shielded cable
PSE8	M12x1, 5 pole - 90° with 3 meter PUR shielded cable

Range Configuration Kit - <i>optional; will be quoted as a separate line item; see page 5</i>	
Part#	
PSRC1	To be used with a PC and windows operating system

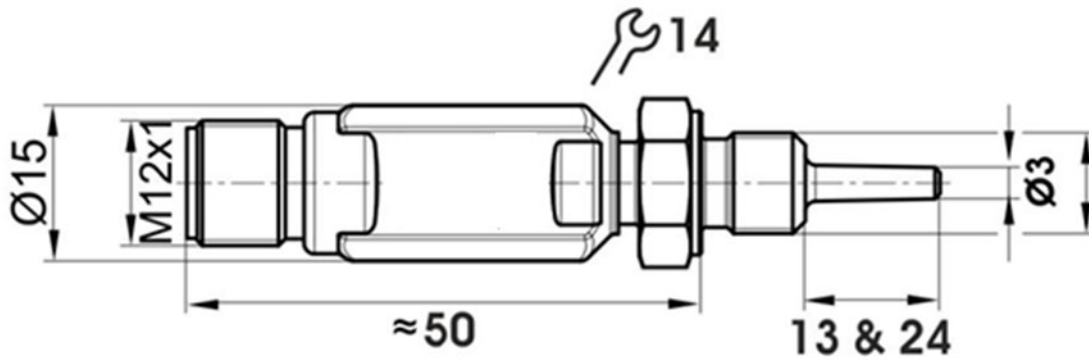
Technical Parameters

Technical Parameters		
Accuracy	PT100	Class A according to IEC 751
	@ 77°F	Max value between ±0.1K and ±0.1% of span
	Temp. influence deviation from 68°F	Max value between 32°F/77°F and ±0.3% of span/77°F
	Long term stability	Max 0.1% of span per year
	Minimum span	68°F
	Internal accuracy error compensation	±41°F over two points
	Response time	<3.5 seconds
	Input filter (time to reach 90% of signal)	Configurable from 0.4 ... 9.4 seconds
	Zero point and span adjustment	By ±9°F at each end (with configuration kit)
Electrical	Supply	5.5 ...32 VDC
	Output signal	4...20mA
	Sensors open (break) indication	Output signal will default to 21mA in accordance to NAMUR NE43 Can be switched to 3.6mA with configuration kit
	Short circuit indication	Output signal will default to 3.6mA in accordance to NAMUR NE43 Can be switched to 21mA with configuration kit
	Load	Max load 840Ω @ 24 VDC (Resistance load = (Voltage supply - 5.5) / 0.022)
	Range configurability	From -58...+230°F with P60 configuration kit
	Inverse-polarity protection	Yes
Environmental	Media / Measurement range	-58 ...+230°F
	Electronics range	-40 ...+185°F
	Protection	IP67
	Humidity	0 ...100%
EMC	In accordance to	EN 61326-1 :2013 (CE)
	In accordance to	BS EN 61326-1 :2013 (UKCA)
Mechanical	Wetted parts (sensor)	AISI 316L
	Wetted parts (process connection)	AISI 316L
	Housing	Thermoplastic or AISI 316L
	Sealing	By flat gasket, PTFE sealing tape or other (not supplied with sensor)
	Weight	20g (13mm) / 21g (24mm)

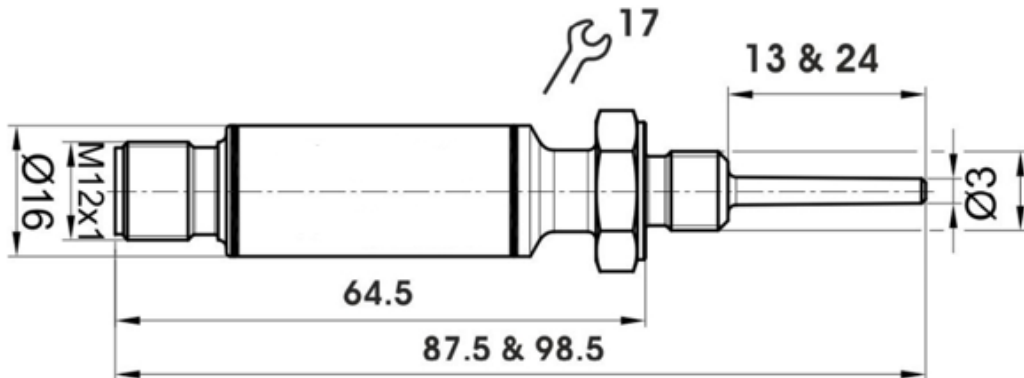


Dimensions (mm)

Option H1
Thermoplastic

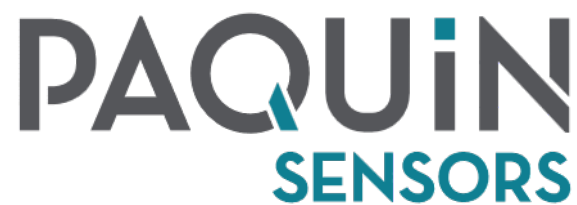


Option H2
316L Stainless Steel



PSRC1 Range Configurator Kit

Technical Parameters		
Communication Interface	Connect to PC by USB	No additional power source required
	Compatible operating systems	Windows 7,8,10 (32 or 64 bit edition)
	Free space on PC	50 Mbytes
	PC port	1x USA 1.1 or later type A port
Electrical	Galvanic isolation	2KVdc/1s
Environmental	Operating temperature	0...+122°F
	Storage temperature	-4...+185°F
	Humidity	0 ...90%
EMC	In accordance to	EN 61326-1 :2013 (CE)
	In accordance to	BS EN 61326-1 :2013 (UKCA)



Paquin Sensors' product portfolio is designed to provide options to fit the most diverse range of specifications.

We collaborate with our customers to match the best product technologies with your unique application requirements.

Please [contact us](#) or call +1 (800) 831-8217 anytime to discuss your needs!