

Air Compressor & Water Pump Pressure Switch

- Available with 1, 3 and 4 ports
- For water pump control
- For air compressors
- Can be used to regulate tank pressure between two preset values
- Available with unloader valve which prevents compressors from starting under load
- Ranges from 14.5 to 200 psig
- CRUS, CSAUS, CE



About

The P51 Pressure Switch offers reliable, time-tested control for automatic water systems and air compressors. Designed for use in water well pumps and pumping systems, it features an optional On-Off knob for manual pump shutdown. Additionally, the P51 can regulate tank pressure between two preset values in single-phase electrically driven air compressors and is available with an unloader valve to prevent compressor startups under load.

Applications

- ✓ Air Compressors
- ✓ Water Wells
- ✓ Water Pumping Systems
- ✓ Water Tank Pressure Control
- ✓ More

Build Your Part Number

Series P51

Example: **P5135DA6.4K1P3R**

Series	
P51	

Ports - <i>select one</i> (see page 3)	
1	1 port
3	3 ports
4	4 ports

Process Connection - <i>select one</i>	
5D	¼" npt female
F1	½" npt female
5P	G ¼" female
F2	G ½" female

Unloader Valve - <i>select one</i>	
A	With
C	Without

Unloader Valve Connection - <i>select one</i>	
6.0	6.0mm Ø
6.4	6.4mm Ø
6.5	6.5mm Ø

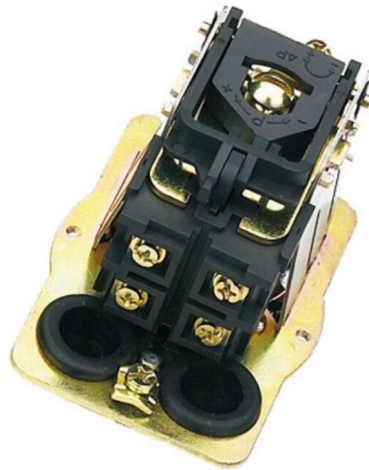
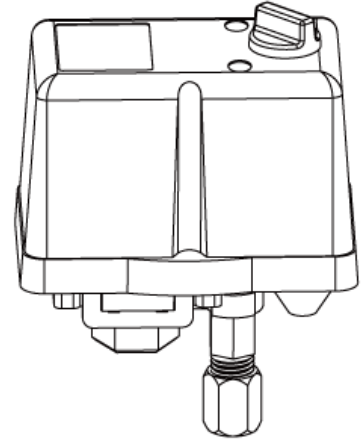
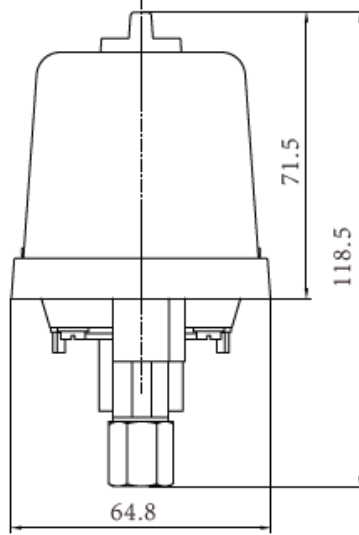
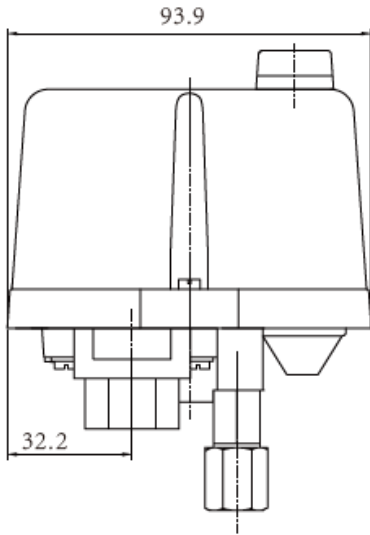
Manual On/Off Knob - <i>select one</i>	
K1	With
K2	Without

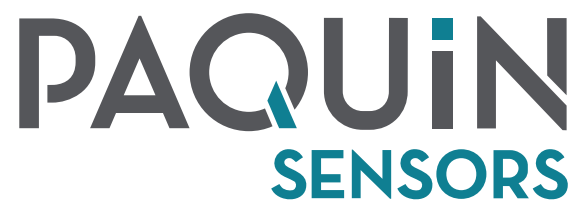
Pressure Range - <i>select one</i>	
P1	Operating Range: 15...87 psig Differential: 15...43 psig Factory Set: 30...58 psig
P2	Operating Range: 30...160 psig Differential: 20...50 psig Factory Set: 87...116 psig
P3	Operating Range: 72...200 psig Differential: 26...58 psig Factory Set: 116...145 psig

Activation - <i>select one</i> (SPDT Changeover 250VAC, 16A/25A)	
R	Activate on rising pressure
F	Activate on falling pressure

Factory Set Point (ex: on 110psig / off 150 psig)	
XX	Please inform

Dimensions





Paquin Sensors' product portfolio is designed to provide options to fit the most diverse range of specifications.

We collaborate with our customers to match the best product technologies with your unique application requirements.

Please [contact us](#) or call +1 (800) 831-8217 anytime to discuss your needs!