

Hydrostatic Level Sensor

- Good for most liquids
- Calibration from 1.5 to 15 psig
- Optional LCD visual display
- Anti-corrosive SS 304
- High insulation resistance
- 4...20mA or 0...10VDC output signal
- Polyurethane cable with atmospheric pressure reference vent tube



About

The P40 is designed to accommodate a wide variety of liquid media types. Available with or without a local visual display, the P40 can accurately monitor liquid depths from 3 to 33 feet. Particularly well suited for OEM volume requirements

Applications

- ✓ Waste water / sewage
- ✓ Skid packages
- ✓ Bore holes
- ✓ Ballast tanks
- ✓ Refrigerants
- ✓ Fuels
- ✓ Sludges and slurries

Build Your Part Number

Series P40

Example: P40G1A156T

Series	
P40	

Pressure Reference	
G	Gauge

Configuration - select one; see diagrams page 3	
1	Without visual display
2	With visual LCD display (4...20mA output signal only)

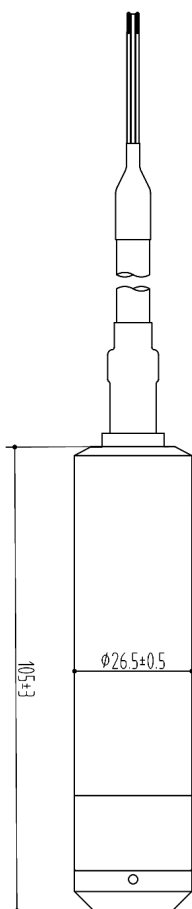
Output Signal - select one		Supply
A	4 ... 20 mA	24 (12 ... 36) VDC
B	0 ... 5 VDC	24 (12 ... 36) VDC
C	0 ... 10 VDC	24 (12 ... 36) VDC
D	0.5 ... 4.5 VDC ratiometric	5 (4.75 ... 5.25) VDC
E	1 ... 5 VDC	24 (12 ... 36) VDC

Pressure Range (psi) - select one	Over Pressure (psi)	Burst Pressure (psi)	
15	0 ... 1.5	3.75	9
16	0 ... 2	5	12
17	0 ... 2.5	6.25	15
18	0 ... 5	12.5	30
19	0 ... 10	25	60
21	0 ... 15	37.5	90
XX	Use "XX" for custom ranges (Ex: 0 ... 7 psi) Please inform range below part number		

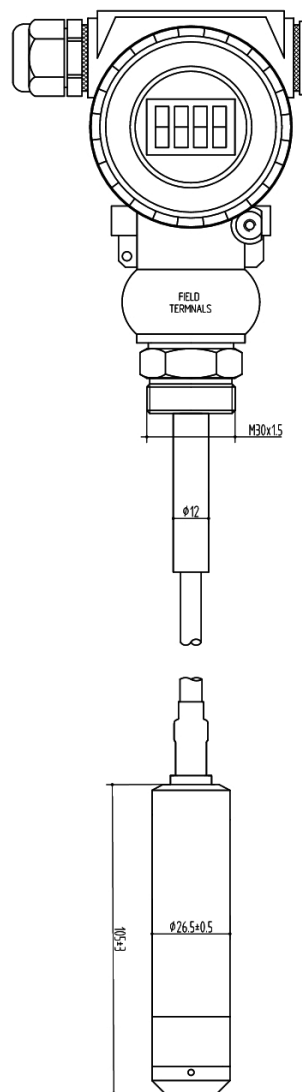
Electrical Connection Cable Length - select one; see diagrams page 7		
6T	1 Meter PUR	(standard color-coding pin-out, see page 6)
6U	2 Meter PUR	(standard color-coding pin-out, see page 6)
6V	3 Meter PUR	(standard color-coding pin-out, see page 6)
7K	4 Meter PUR	(standard color-coding pin-out, see page 6)
6W	5 Meter PUR	(standard color-coding pin-out, see page 6)
7L	7 Meter PUR	(standard color-coding pin-out, see page 6)
YY	Use "YY" for custom cable length (Ex: 0 ... 10 Meter) Please inform length below part number	

Dimensions & Pin-Out

Option 1
Without display



Option 2
With display



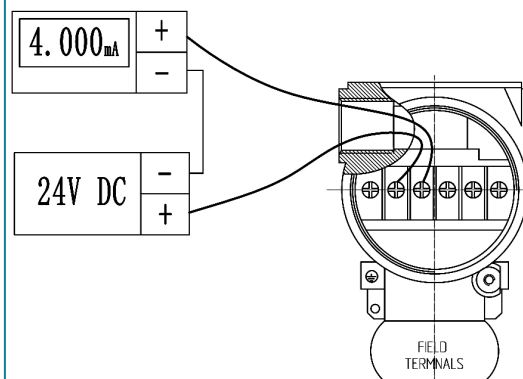
Milliamp Output

Red: V+ (supply voltage)
Green: → (output signal)

Voltage Output

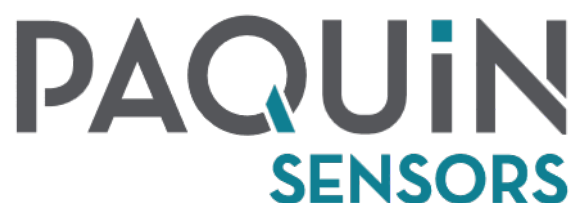
Red: V+ (supply voltage)
Yellow: → (output signal)
Green: GRD (common)

Milliamp Output



Technical Parameters

Technical Parameters		
Accuracy	At 77°F	± 0.5% FS typical
	Response time	≤ 1ms (up to 90% FS) for analog; ≤ 100ms (up to 90% FS) for digital
	Temperature Coefficient	Zero point and span ±1.5% FS
Environmental	Media temperature	14 ...+158°F
	Ambient temperature	-4 ...+185°F
	Storage temperature	-40 ...+257°F
	Protection	IP68
	Vibration	20g (20...5000Hz)
	Shock	100g (11ms)
	Long term stability	± 0.2%FS / 1 year
	Insulation resistance	200MΩ / 250VDC
EMC	Immunity	IEC 61000-6-2
	Radiation	IEC 61000-6-3
	Surge	IEC 61000-4-5 level 3
Mechanical	Wetted parts	304 SS sensor / polyurethane cable
	Weight	Dependent on cable length



Paquin Sensors' product portfolio is designed to provide options to fit the most diverse range of specifications.

We collaborate with our customers to match the best product technologies with your unique application requirements.

Please [contact us](#) or call +1 (800) 831-8217 anytime to discuss your needs!