

Stainless Refrigeration Transmitter

- For OEM volumes
- Ratiometric output
- Selectable accuracy classes
- Stainless steel 304 housing
- IP67 Packard metri-pack
- -40° ... +248°F



About

The P34 refrigeration pressure transmitter is designed to accommodate the performance and price point expectations by HVAC and refrigeration original equipment manufacturers.

Applications

- ✓ Good for but not limited to...
- ✓ R12
- ✓ R22
- ✓ R32
- ✓ R134a
- ✓ R404a
- ✓ R407c
- ✓ R410a
- ✓ R502
- ✓ R507

Build Your Part Number

Series P34

Example: **P34G3D275G6HF2**

Series	
P34	

Pressure Reference - select one	
G	Gauge

Accuracy - select one	
3	0.8% FS from -40...+104°F
4	2.0% FS from -22...+248°F

Output Signal - select one		Supply
D	0.5 ... 4.5 VDC ratiometric	5 (4.75 ... 5.25) VDC

Pressure Range (psi) - select one		Over Pressure (psi)
27	0 ... 150	225
28	0 ... 200	300
29	0 ... 250	375
31	0 ... 300	450
32	0 ... 400	600
33	0 ... 500	750
	0 ... 725	1087
XX	Use "XX" for custom ranges (Ex: 0 ... 550 psi) Please inform range below part number	

Process Connection – see page 3	
5G	7/16"-20UNF-2A male
5J	7/16"-20UNF-2B female, without valve opener

Electrical Connection – see Pin-Out page 3	
6H	Packard Metri-Pack

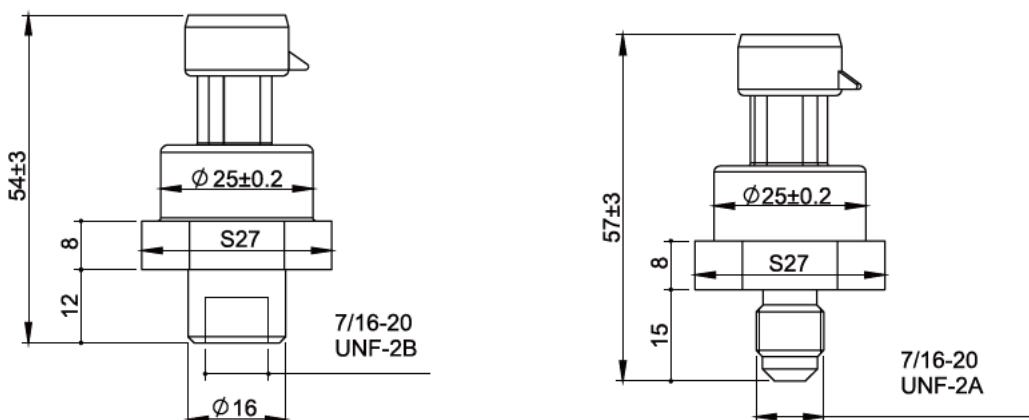
Wetted O-Ring Material – select one		
F2	FKM	default material and typically recommended for common non-corrosive liquids
C2	CR	recommended for but not limited to: R12, R22, R32, R134A, R404A, R407C, R502
H2	HNBR	recommended for but not limited to: R32, R134A, R404A, R407C, R410, R507
E2	EPDM	recommended for but not limited to: R32, R134A, R502

Mating Electrical Connection Assembly – optional; will be quoted as a separate line item	
Part#	
PSE20	Packard Metri-Pack with 1 meter PUR cable
PSE21	Packard Metri-Pack with 3 meter PUR cable

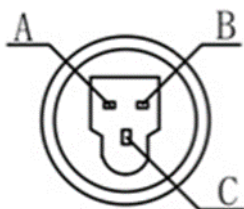
Technical Parameters

Technical Parameters		
Accuracy	± 0.8% FS typical	-22...+104°F
	± 2.0% FS typical	-22...+248°F
Electrical	Power Supply	4.75...5.25 VDC (3 wire)
	Output signal	0.5...4.5 VDC
Environmental	Media temperature	-40°F ... +248°F
	Protection	IP67
Wetted Parts	Housing / process connection	Stainless steel 304
	Pressure sensing element	Ceramic
	O-ring seal material and temperature ratings against all listed refrigerants	FKM (-4...392°F), CR (-40...248°F with exception to R22 @ 212°F max), HNBR (-40...248°F), EPDM (-40...248°F)

Process Connection Dimensions



Pin-Out



Voltage Output

A: V- (negative)
 B: V+ (supply voltage)
 C: → (output signal)

