

Automotive Transmitter

- Insulation 100MΩ @ 250VDC
- 0...5VDC & 4...20mA
- Sealed gauge
- -40...+257°F
- 2 X over pressure
- Up to 1,500 psig



About

The P33 is compact and equipped to monitor the pressure of all on-board systems in automobiles, off-road equipment and more. Produced with the IP67 Packard electrical connection, the P33 is also successfully supplied in high-volumes to OEM's producing air compressors, water pumps and more.

Applications

- ✓ Oil pressure
- ✓ Brake pressure
- ✓ Air conditioning
- ✓ Air intake pressure
- ✓ Water pumps
- ✓ Air compressors

Build Your Part Number

Series P33

Example: P33SA265A6H99F1

Series
P33

Pressure Reference - select one
S Sealed Gauge

Output Signal - select one	Supply
A 4 ... 20 mA	24 (12 ... 36) VDC
B 0 ... 5 VDC	5 (4.5 ... 5.5) VDC

Pressure Range (psi) - select one	Over Pressure (psi)	Burst Pressure (psi)
26 0 ... 100	200	300
27 0 ... 150	300	450
28 0 ... 200	400	600
29 0 ... 250	500	750
31 0 ... 300	600	900
32 0 ... 400	800	1200
33 0 ... 500	1000	1500
34 0 ... 1000	2000	3000
35 0 ... 1500	3000	4500
XX Use "XX" for custom ranges (Ex: 0 ... 550 psi) Please inform range below part number		

Process Connection - select one
5A 1/8" NPT male
5B 1/8" NPT female
5C 1/4" NPT male
5D 1/4" NPT female
5E 1/2" NPT male
5F 1/2" NPT male flush
5G 7/16"-20UNF-2A male, SAE J1926-2
5H 7/16"-20UNF female, SAE J512 with valve opener
5J 7/16"-20UNF female, SAE J512 without valve opener
5K 7/16"-20 UNF male, DIN3866
5L 9/16"-18UNF-2A male, SAE J1926-2
5M G1/8" male
5N G1/4" male
5P G1/4" female
5Q G1/2" male
5R G1/2" male flush

Electrical Connection - select one
6H Packard Metri-Pack

Pin-Out Options - select one; see pin out page 4
99 Standard

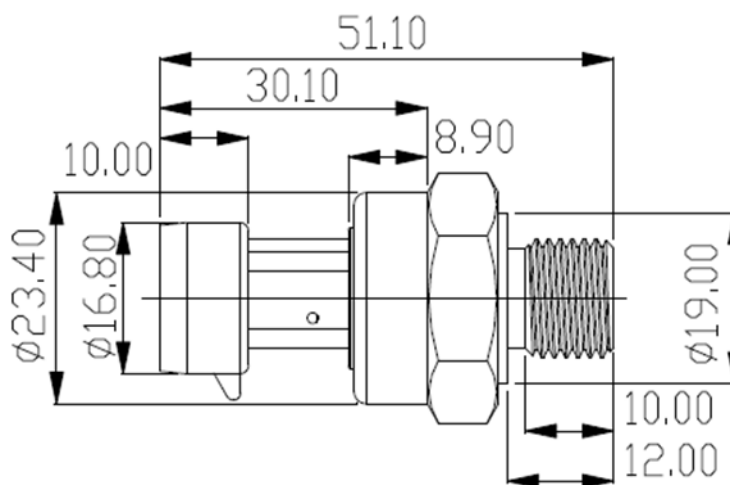
Wetted Sealing Material - select only for process connections 5G, 5K, 5L, 5M, 5N; for all others, leave blank
F1 Seal FPM
E1 Seal EPDM
N1 Seal NBR

Mating Electrical Connection Assembly - optional; will be quoted as a separate line item	
Part#	
PSE20	Packard Metri-Pack with 1 meter PUR cable
PSE21	Packard Metri-Pack with 3 meter PUR cable

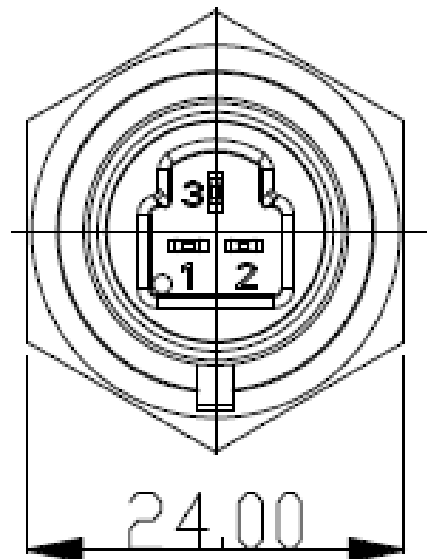
Technical Parameters

Technical Parameters		
Accuracy	At 77°F	±0.5%
	Long term stability 1 year at 77°F	±0.3%FS/year
	Rise time	<1ms (@ 90%FS)
Environmental	Media temperature	-40°F ... 257°F
	Ambient temperature	-40°F ... 302°F
	Protection	IP67
	Vibration	10gRMS, (20~2000)Hz
	Shock	100g, 11ms
EMC	Emission	IEC61326-1 B
	Electrostatic Discharge	IEC61000-4-2
Immunity	Electromagnetic field immunity	IEC61000-4-3
	EFT Immunity	IEC61000-4-4
	Surge immunity	IEC61000-4-5
Mechanical	Wetted parts (sensor)	Ceramic
	Wetted parts (process connection)	SS304
	Housing	SS304
	Sealing	Optional (see page 3)

Dimensions (shown with G1/4" male)



Pin-Out



Voltage Output

- 1: V+ (supply voltage)
- 2: V- (common)
- 3: → (output signal)

Analog Output

- 1: V+ (supply voltage)
- 2: → (output signal)
- 3: (ground)

PAQUIN SENSORS

Paquin Sensors' product portfolio is designed to provide options to fit the most diverse range of specifications.

We collaborate with our customers to match the best product technologies with your unique application requirements.

Please [contact us](#) or call +1 (800) 831-8217 anytime to discuss your needs!