

Flush Mount Tri-Clamp

- All 316L construction
- Temps up to 300°F
- Micro polished to $Ra < 0.38\mu m$
- 1.5" and 2" options
- Selectable ranges from -14.5...+300psig
- 4...20mA or 0...10VDC
- Optional Exia II CT6



About

The P32 offers a hollow-free media contacting process connection for applications that tend to clog traditional ports. Designed to accommodate OEM budgets, the P32 is also capable of withstanding media working temperatures up to 300°F. Optional accessories include a weldable mating process port, quick release tri-clamp thumb screw clamp and silicon gasket.

Applications

- ✓ Slurries, slimes and sludges
- ✓ Gas & Oil
- ✓ Food & Beverage
- ✓ Biomedical
- ✓ Pastes and powders

Build Your Part Number

Series P32

Example: P32G69A115V6B

Series	
P32	

Pressure Reference	
G	Gauge

Media Temperature Range - select one, see diagram page 4	
6	-40...185°F (no cooling fins)
7	-40...302°F (3 cooling fins)

Safety Barrier - select one	
9	Standard (no safety barrier)
11	Exia II CT6 (only for 4...20mA)

Output Signal - select one		Supply
A	4 ... 20 mA	24 (9 ... 32) VDC
C	0 ... 10 VDC	24 (15 ... 32) VDC

Pressure Range (psi) - select one		Over Pressure (psi)	Burst Pressure (psi)
11	-14.5 ... 0	15	30
12	0 ... -14.5	15	30
13	-14.5 ... 15	30	75
14	-14.5 ... 30	60	150
18	0 ... 5	15	30
19	0 ... 10	30	60
21	0 ... 15	30	75
22	0 ... 20	40	100
23	0 ... 25	50	125
24	0 ... 30	60	150
25	0 ... 50	100	250
26	0 ... 100	200	500
27	0 ... 150	300	750
28	0 ... 200	400	1000
29	0 ... 250	500	1250
31	0 ... 300	600	1500
XX	Use "XX" for custom ranges (Ex: 0 ... 550 psi) Please inform range below part number		

Process Connection - see diagram page 4	
5V	1.5" Tri Clamp
5W	2" Tri Clamp

Build Your Part Number

Series P32
Example: P32G69A115V6B
Electrical Connection - select one; see diagrams page 5

6B	DIN 43650-A (field-wireable mating connector included)	
6C	Male electrical connector M12x1, 4-pole	
6K	0.5 Meter PVC shielded cable with flying leads	(standard color-coding pin-out, see page 6)
6L	1 Meter PVC shielded cable with flying leads	(standard color-coding pin-out, see page 6)
6M	2 Meter PVC shielded cable with flying leads	(standard color-coding pin-out, see page 6)
6N	3 Meter PVC shielded cable with flying leads	(standard color-coding pin-out, see page 6)
6P	5 Meter PVC shielded cable with flying leads	(standard color-coding pin-out, see page 6)
6Q	7 Meter PVC shielded cable with flying leads	(standard color-coding pin-out, see page 6)
6R	10 Meter PVC shielded cable with flying leads	(standard color-coding pin-out, see page 6)

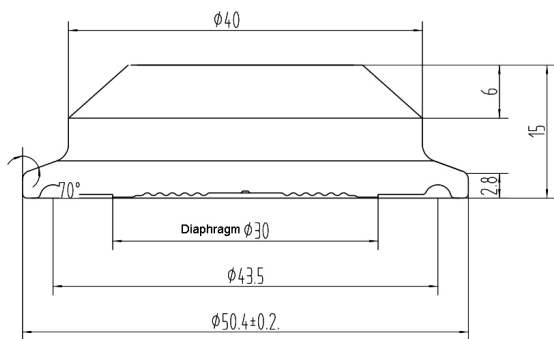
Mating Electrical Connection Assembly - optional; will be quoted as a separate line item

Part#		Part#	
PSE1	M12x1, 5 pole - straight with cable gland (field wireable)	PSE14	DIN 43650-A with cable gland (field wireable)
PSE2	M12x1, 5 pole - straight with 1 meter PUR cable	PSE15	DIN 43650-A with 1 meter PUR cable
PSE3	M12x1, 5 pole - straight with 3 meter PUR cable	PSE16	DIN 43650-A with 3 meter PUR cable
PSE4	M12x1, 5 pole - straight with 1 meter PUR shielded cable	PSE17	DIN 43650-A with 1 meter PUR shielded cable
PSE5	M12x1, 5 pole - straight with 3 meter PUR shielded cable	PSE18	DIN 43650-A with 3 meter PUR shielded cable
PSE6	M12x1, 5 pole - 90° (field wireable)	PSE19	DIN 43650-A with 1/2" NPT female & cable gland (field wireable)
PSE7	M12x1, 5 pole - 90° with 1 meter PUR shielded cable		
PSE8	M12x1, 5 pole - 90° with 3 meter PUR shielded cable		

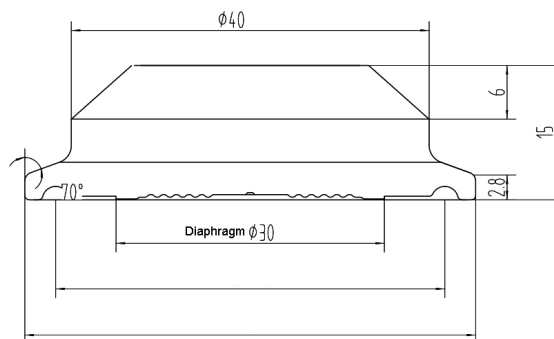
Technical Parameters

Technical Parameters		
Accuracy	At 77°F	± 0.5% FS typical
	Hysteresis at 77°F	± 0.1% FS typical
	Repeatability	± 0.1% FS typical
	Response time	≤ 1ms (up to 90% FS)
	Temperature drift	5 psi: ± 3% FS (32...140°F), all other ranges ± 1.5% FS (14...158°F)
Environmental	Media temperature	-22 ...+212°F (without cooling fins)
	Ambient temperature	-4 ...+185°F (without cooling fins)
	Storage temperature	-40 ...+212°F (without cooling fins)
	Protection	DIN 43650A: IP65, M12: IP67, Cable: IP67
	Vibration	Sine curve: 20g, 25Hz-2kHz, IEC 600068-2-6 Random: 7.5 grms, 5Hz-1kHz; IEC 60008-2-6
	Insulation resistance	100M Ω / 250VDC
	Ex (optional)	Exia II CT6
EMC	Immunity	IEC 61000-6-2
	Radiation	IEC 61000-6-3
	Surge	IEC 61000-4-5 level 3
Mechanical	Wetted parts	316L
	Housing	316L
	Weight	300-350g

Option 6 --- no cooling fins
-40...185°F

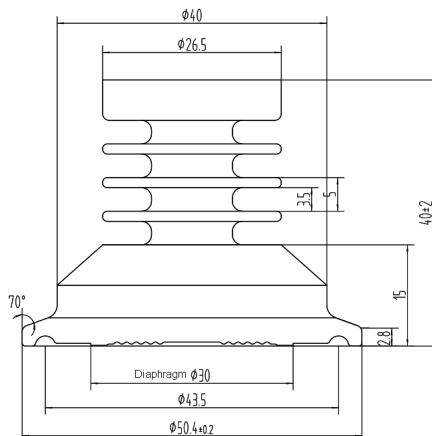


1.5" Tri-Clamp

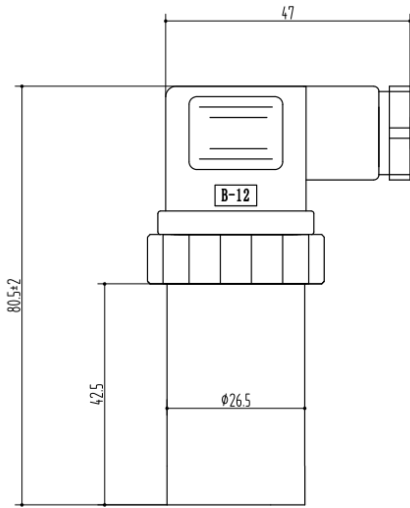


2.0" Tri-Clamp

Option 7 --- 3 cooling fins
-40...302°F



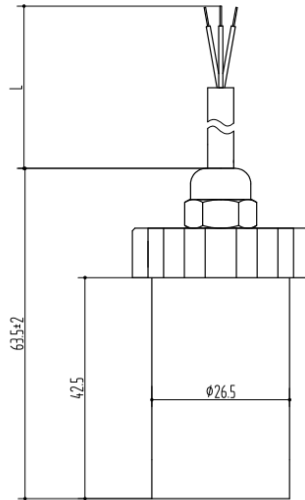
Electrical Connection Dimensions & Pin Out



DIN 43650-A

Milliamp Output
Pin 1: V+ (supply voltage)
Pin 2: → (output signal)

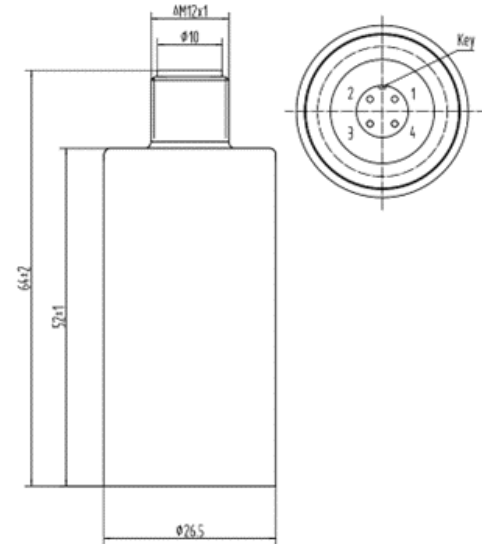
Voltage Outputs
Pin 1: V+ (supply voltage)
Pin 2: GRD (common)
Pin 3: → (output signal)



PVC shielded Cable

Milliamp Output
Red: V+ (supply voltage)
Green: → (output signal)

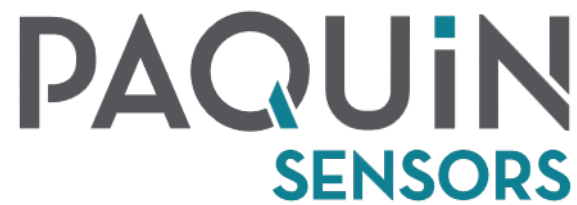
Voltage Outputs
Red: V+ (supply voltage)
Green: GRD (common)
Yellow: → (output signal)



M12X1, 4-pole

Milliamp Output
Pin 1: V+ (supply voltage)
Pin 2: → GRD (common)

Voltage Outputs
Red: V+ (supply voltage)
Green: GRD (common)
Yellow: → (output signal)



Paquin Sensors' product portfolio is designed to provide options to fit the most diverse range of specifications.

We collaborate with our customers to match the best product technologies with your unique application requirements.

Please [contact us](#) or call +1 (800) 831-8217 anytime to discuss your needs!