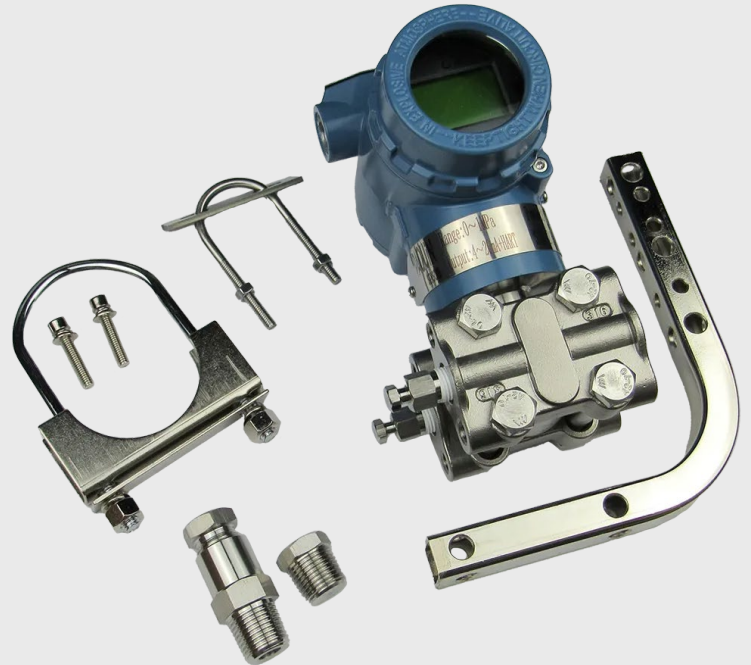


Heavy-Duty & Smart Differential Transmitter

- 4...20mA + HART
- With LCD backlit digital display
- Display in psi, Pa, kPa, Mpa, Torr, atm, inH2O, mmH2O, mmHg, ft4H2O, bar, mbar, g/cm2, kg/cm2
- -14.5...+400 psi
- Zero point and full span adjustability
- Lightning protection
- Optional Ex protection
Exd IIC T6 Gb



About

The P31 is a ruggedized heavy-duty differential transmitter designed to withstand harsh environments commonly found in process industries. The visual display can be set to current, percentage, psi, inH2O, inHG, mbar, kPa, Mpa, Torr, atm, kgcm, Pa and more. The P31 smart transmitter is an economically priced product offering much versatility.

Applications

- ✓ Production facilities
- ✓ Skid packages
- ✓ Gas & oil
- ✓ Paper & pulp
- ✓ Water treatment
- ✓ Pneumatics
- ✓ Chemicals
- ✓ Gases
- ✓ Refrigerants
- ✓ Oxygen

Build Your Part Number

Series P31

Example: **P31G16U115DL1**

Series	
P31	

Pressure Reference - select one	
G	Gauge

Safety Barrier - select one		Electrical Connection
16	Standard (no safety barrier)	M20 x 1.5 female
17	Exd IIC T6 Gb	M20 x 1.5 female
18	Exd IIC T6 Gb	½" NPT female

Output Signal & Digital Display - select one; see page 4		Supply
U	4 ... 20 mA + HART with display	24 (12 ... 32) VDC

Pressure Range (psi) - select one		Over Pressure (psi)
11	-14.5 ... 0	2300
12	0 ... -14.5	2300
13	-14.5 ... 15	2300
14	-14.5 ... 30	2300
15	0 ... 1.5	2300
16	0 ... 2	2300
17	0 ... 2.5	2300
18	0 ... 5	2300
19	0 ... 10	2300
21	0 ... 15	2300
22	0 ... 20	2300
23	0 ... 25	2300
24	0 ... 30	2300
25	0 ... 50	2300
26	0 ... 100	2300
27	0 ... 150	2300
28	0 ... 200	2300
29	0 ... 250	2300
31	0 ... 300	2300

Process Connection - select one; see page 3	
5D	1/4" NPT female (default)
5E	1/2" NPT male
5N	G1/4" male
5Q	G1/2" male
4A	1/2" NPT female

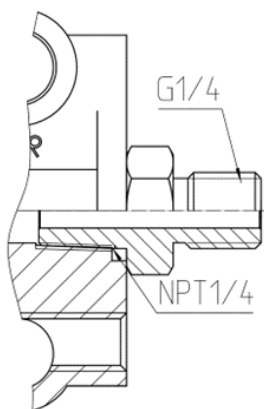
Wetted Diaphragm Material - select one	
L1	316L
H1	Hastelloy

Mounting Brackets - optional; will be quoted as a separate line item; see page 5-7	
Part#	
PSB1	90° Mounting Bracket
PSB2	90° Pipe Mounting Bracket
PSB3	Vertical Mounting Bracket

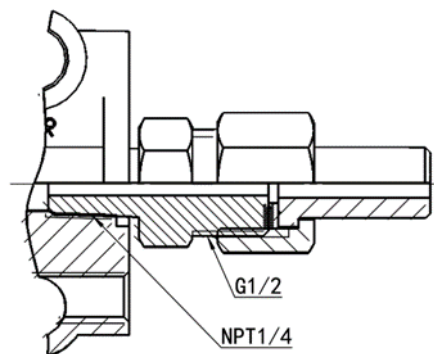
Technical Parameters

Technical Parameters		
Accuracy	At 77°F (+/- 9°F)	± 0.075% FS typical
	Accuracy Exceptions	± 0.2% (≤0.14 psi) FS typical ± 0.1% (>0.14 to ≤0.87 psi) FS typical
	Temperature drift	± 0.5% (≤0.14 psi) FS typical ± 0.3% (>0.14 to ≤0.87 psi) FS typical all other ranges ± 0.25% FS typical (-4 ... +158°F)
	Long term stability	± 0.1% FS typical over 1 year
Environmental	Media temperature	-40°F ... +248°F
	Ambient temperature	-22°F ... +158°F
	Protection	IP67
	Vibration	20 g (20 ... 5000 Hz)
	Shock	100 g / 11 ms
	Insulation	100M Ω / 250 VDC
	Ex (optional)	Exd IIC T6 Gb
EMC	EMC surge	(IEC61000-4-5) 2kV
	EMC static	(IEC61000-4-2) contact discharge 8kV, air discharge 15kV
Mechanical	Wetted parts	Stainless steel 316L (optional) , Hastelloy (optional), Silicon rubber o-ring
	Housing	Die-cast aluminum alloy coated with epoxy resin
	Weight	3.5 kg without accessories

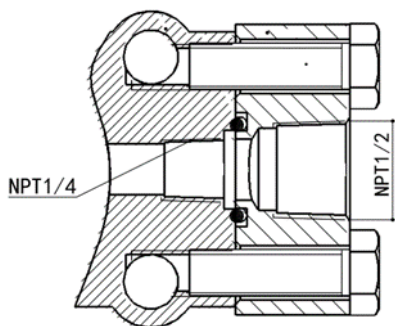
Process Connection Dimensions



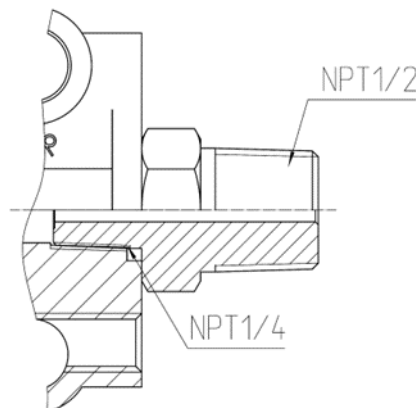
G1/4" male



G1/2" male

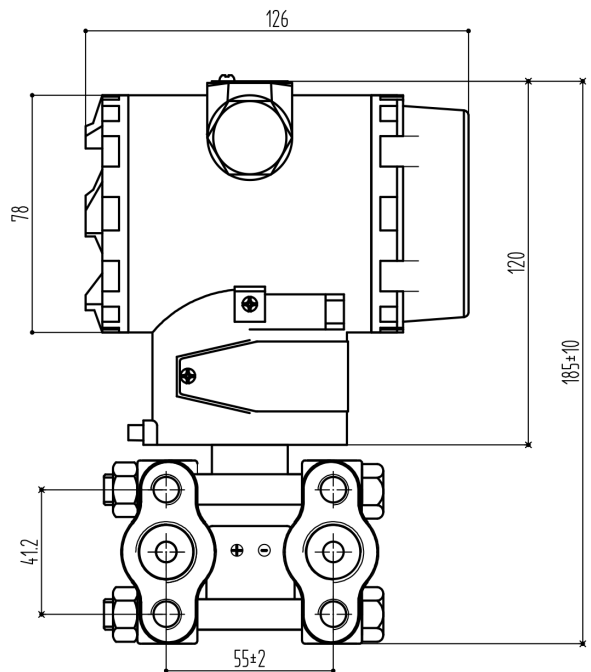
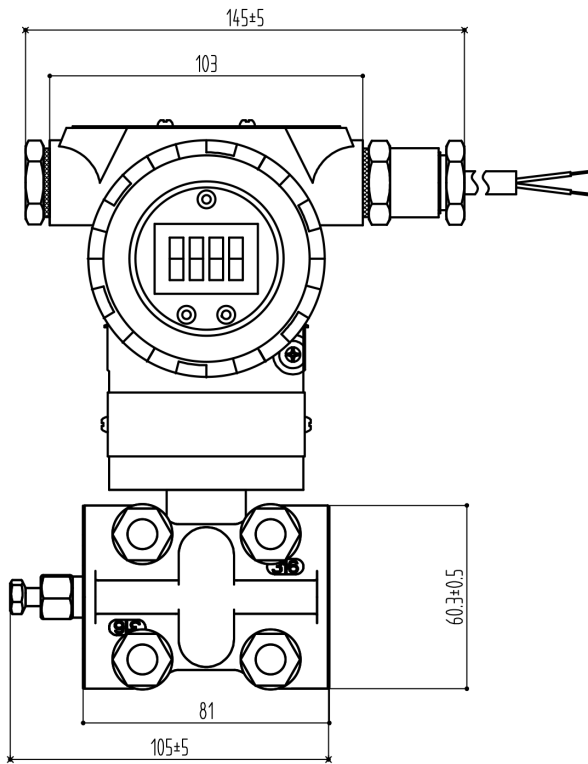
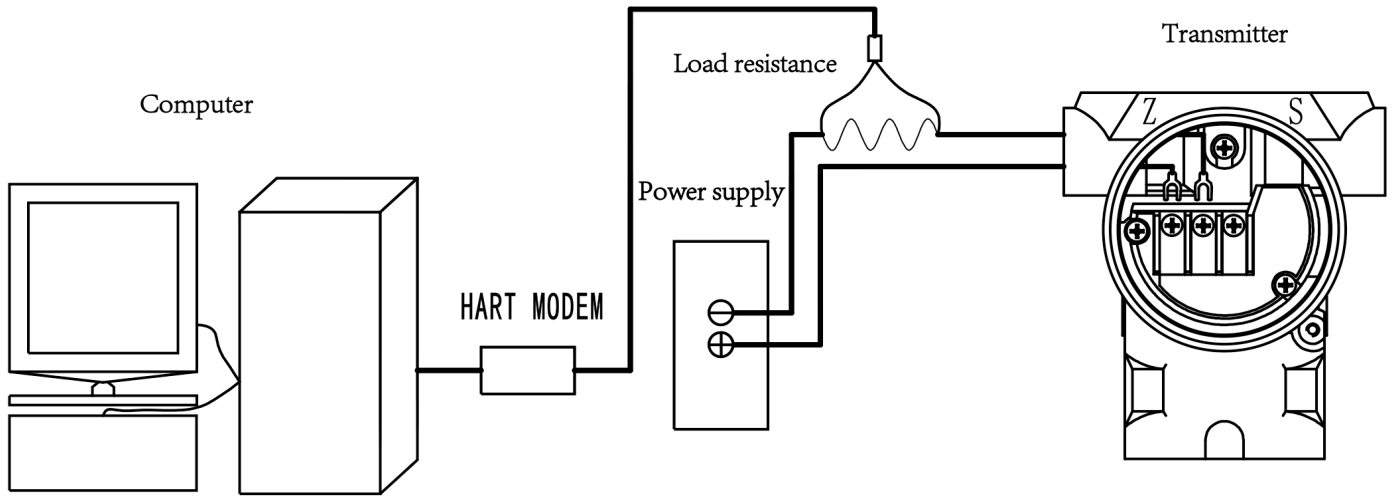


1/2" NPT female

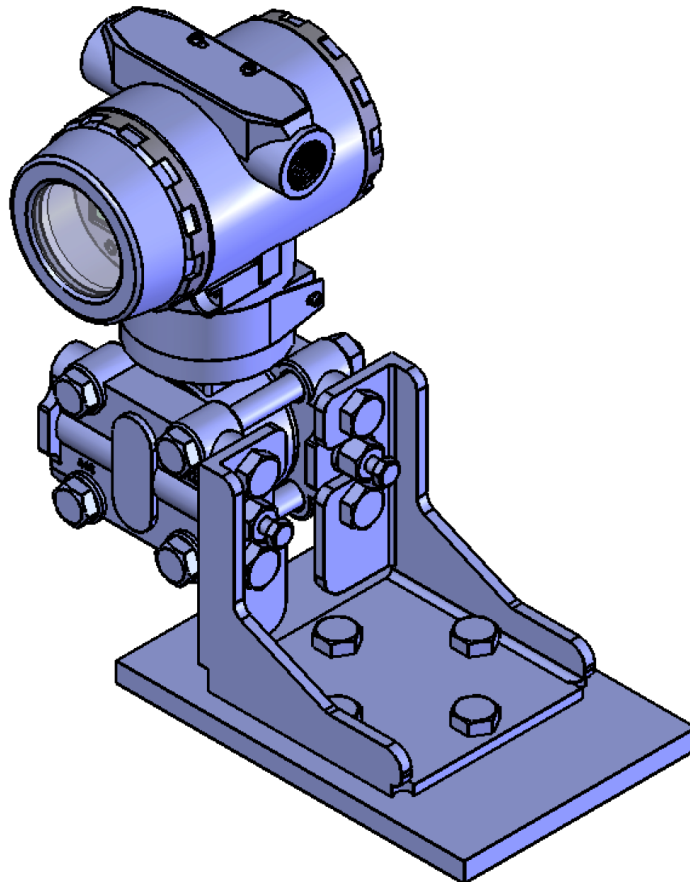
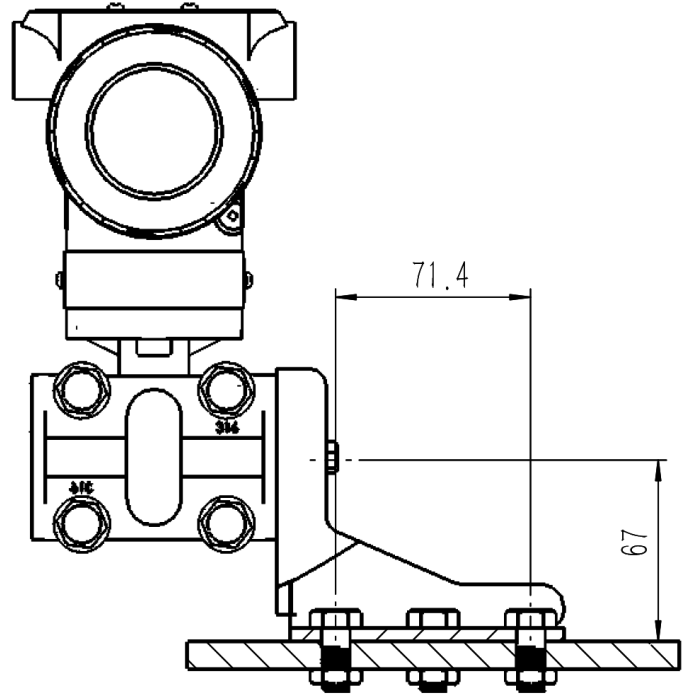
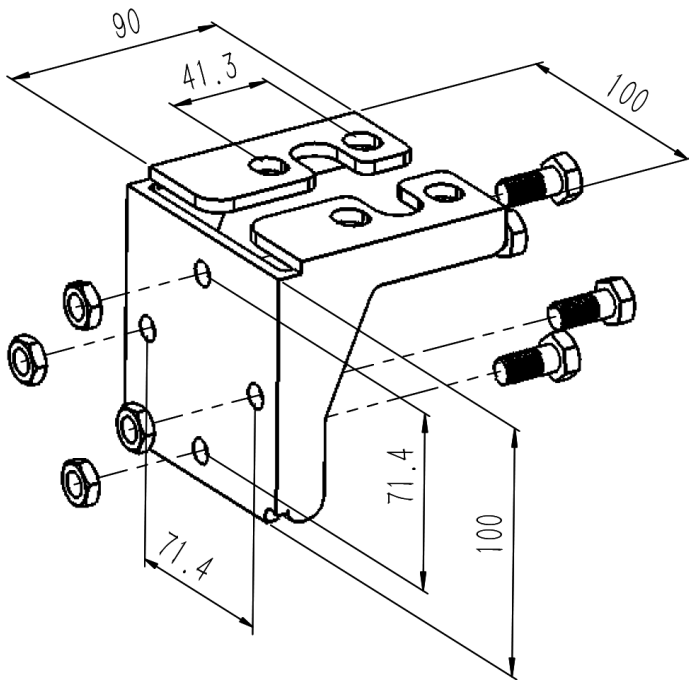


1/2" NPT male

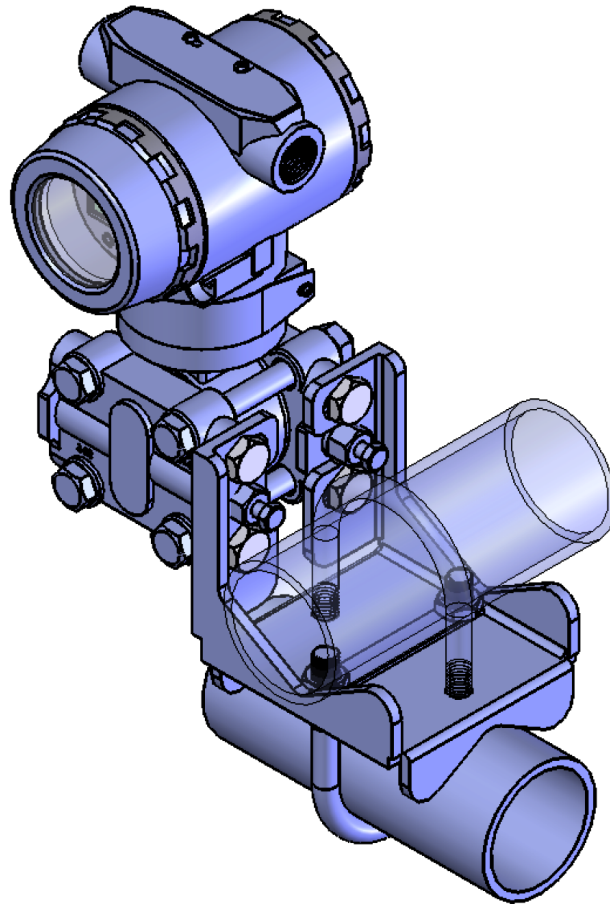
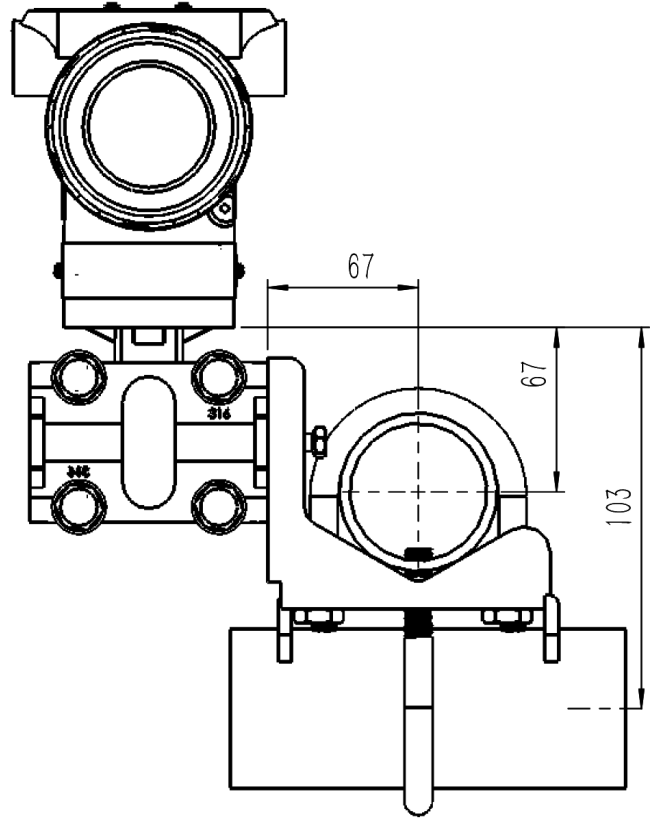
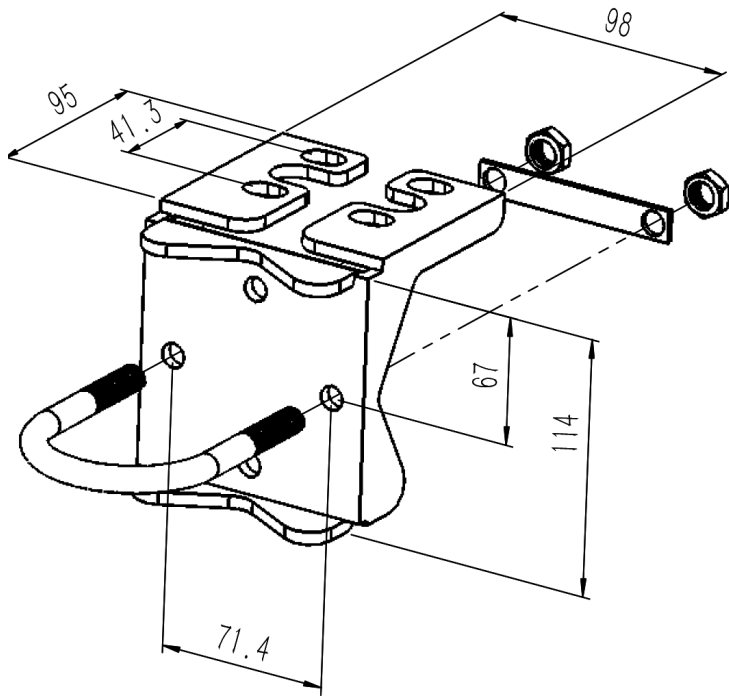
HART Communication & Product Dimensions



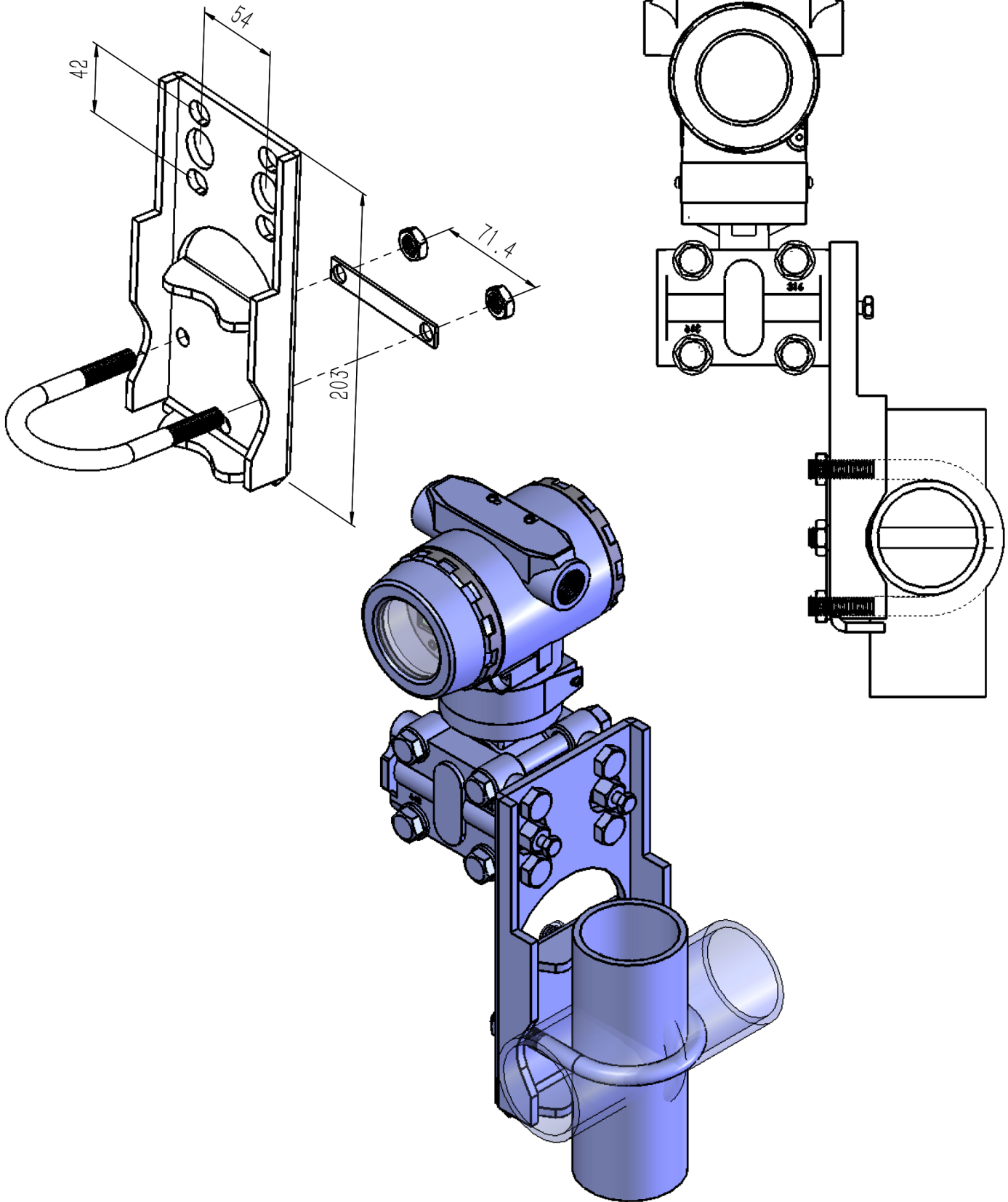
90° Mounting Bracket

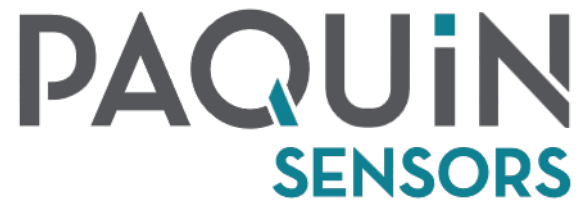


90° Pipe Mounting Bracket



Vertical Mounting Bracket





Paquin Sensors' product portfolio is designed to provide options to fit the most diverse range of specifications.

We collaborate with our customers to match the best product technologies with your unique application requirements.

Please [contact us](#) or call +1 (800) 831-8217 anytime to discuss your needs!