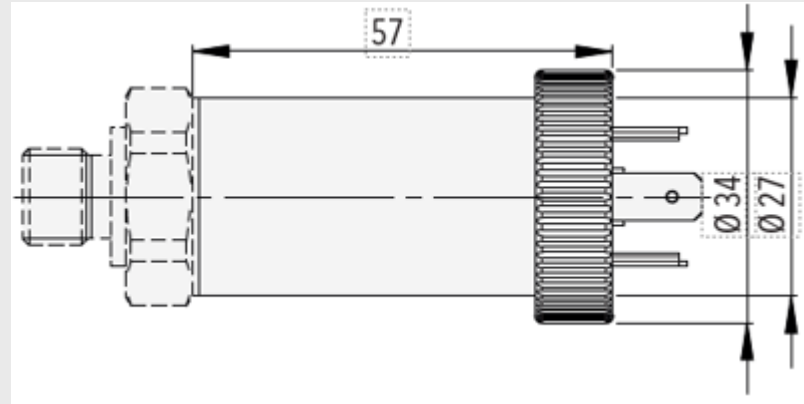


EX Pressure Transmitter

- Pressure ranges from 5 to 30,000psi
- ATEX, IECEx, UKEX certified
- II 1G Ex ia IIC T4/T6 Ga
- II 1G Ex ia IIC T4/T6 Ga
- II 1D Ex ia IIIC T200 320°F Da
- I M1 Ex ia I Ma
- II 1/2G Ex ia IIC T4/T6 Ga/Gb
- Optional hydrogen-compatible sensor
- EC79/2009 certified



About

The P30 is an intrinsically safe pressure transmitter based on an all-welded stainless steel sensor technology. It offers long-term stability and high repeatability while delivering accurate measurement over a wide temperature range. The P30 is designed to withstand harsh applications such as earth moving equipment, petroleum extraction, paper and pulp production and much more.

Applications

- ✓ Ex-Zones 0, 1, 2 (gas)
- ✓ Ex-Zones 20, 21, 22 (dust) and mining
- ✓ Hydrogen
- ✓ Gas & Oil
- ✓ Marine, ship building
- ✓ Paper & Pulp
- ✓ Chemicals

Build Your Part Number

Series P30

Example: P30GA185C6B99F1D4

Series	
P30	

Pressure Reference - select one	
G	Gauge

Output Signal - select one	Supply
A 4 ... 20 mA	24 (9 ... 32) VDC

Pressure Range (psi) - select one		Over Pressure (psi)	Burst Pressure (psi)
18	0 ... 5	18	350
19	0 ... 10	25	350
21	0 ... 15	30	350
22	0 ... 20	30	350
23	0 ... 25	50	350
24	0 ... 30	30	720
25	0 ... 50	120	860
26	0 ... 100	170	1450
27	0 ... 150	290	2900
29	0 ... 250	460	2900
32	0 ... 400	730	4350
33	0 ... 500	1160	4350
34	0 ... 1000	1740	5800
35	0 ... 1500	2900	7250
36	0 ... 2000	4640	10850
37	0 ... 3000	7250	14500
38	0 ... 5000	11600	21750
39	0 ... 7500	14500	29000
41	0 ... 10000	14500	29000
42	0 ... 20000	25000	45000
43	0 ... 30000	45000	60000
XX	Use "XX" for custom ranges (Ex: 0 ... 550 psi) Please inform range below part number		

Process Connection - select one; see diagrams page 6	
5C	1/4" NPT male
5N	G1/4" male
5P	G1/4" female
5Q	G1/2" male

Electrical Connection - select one; see diagrams page 7	
6B	DIN 43650-A
6D	Male electrical connector M12x1, 5-pole
6J	MIL-C 26482, 6-pole
6Z	2 Meter EPD Raychem shielded FDR25 cable with flying leads (standard color-coding pin-out, see page 6)
7A	3 Meter EPD Raychem shielded FDR25 cable with flying leads (standard color-coding pin-out, see page 6)
7B	5 Meter EPD Raychem shielded FDR25 cable with flying leads (standard color-coding pin-out, see page 6)

Build Your Part Number

Series P30

Example: P30GA185C6B99F1D4
Pin-Out Options - see wiring diagrams page 5

99	Standard
----	----------

Wetted Sealing Material - select only for process connections 5N & 5Q; for all others, leave blank

F1	Seal FKM, -0.4°F ... +257°F
E1	Seal EPDM, -40°F ... +257°F



Removable Pressure Peak Damping Element - optional; if not desired, leave blank

D4	0.4 mm - best for viscosities similar to air, water and light oils
D1	1.0 mm - best for viscosities similar to heavy oils

Mating Electrical Connection Assembly - optional; will be quoted as a separate line item

Part#		Part#	
PSE0	M12x1, 5 pole - straight with cable gland (field wireable) metal		
PSE1	M12x1, 5 pole - straight with cable gland (field wireable) (not for zone 0(gas))	PSE14	DIN 43650-A with cable gland (field wireable)
PSE2	M12x1, 5 pole - straight with 1 meter PUR cable (not for zone 0(gas))	PSE15	DIN 43650-A with 1 meter PUR cable
PSE3	M12x1, 5 pole - straight with 3 meter PUR cable (not for zone 0(gas))	PSE16	DIN 43650-A with 3 meter PUR cable
PSE4	M12x1, 5 pole - straight with 1 meter PUR shielded cable (not for zone 0(gas))	PSE17	DIN 43650-A with 1 meter PUR shielded cable
PSE5	M12x1, 5 pole - straight with 3 meter PUR shielded cable (not for zone 0(gas))	PSE18	DIN 43650-A with 3 meter PUR shielded cable
PSE6	M12x1, 5 pole - 90° (field wireable) (not for zone 0(gas))	PSE19	DIN 43650-A with 1/2" NPT female & cable gland (field wireable)
PSE7	M12x1, 5 pole - 90° with 1 meter PUR shielded cable (not for zone 0(gas))	PSE28	MIL-C 26482, 6-pole, metal (field wireable)
PSE8	M12x1, 5 pole - 90° with 3 meter PUR shielded cable (not for zone 0(gas))		

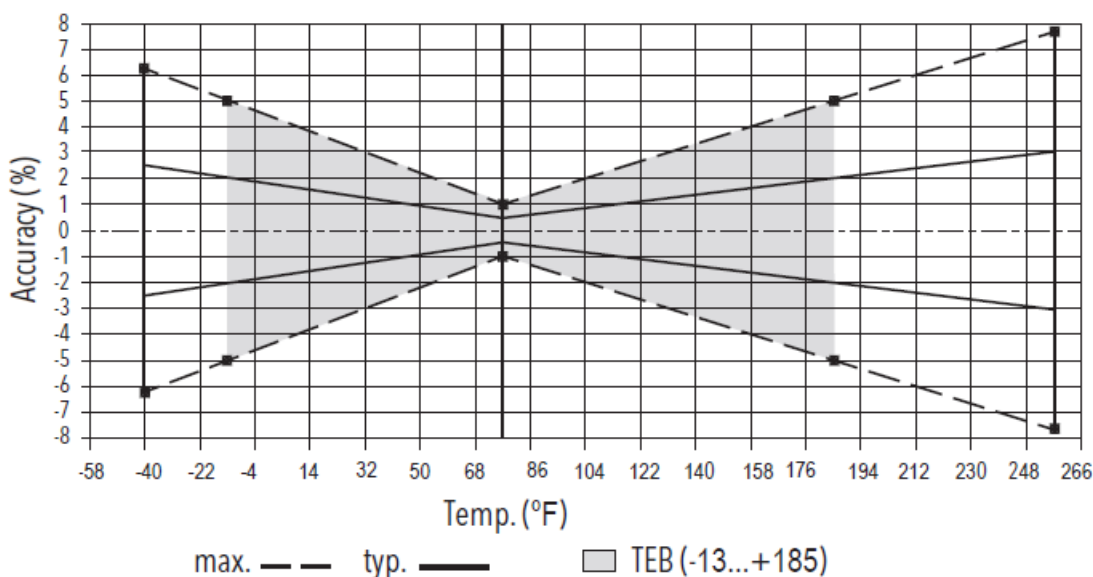
Protection

Ex Zones	Markings	Additional Specifications
0, 1, 2, 20, 21, 22, M1, M2	 II 1 G Ex ia IIC T4/T6 Ga II 1 D Ex ia IIIC T ₂₀₀ 160° Da I M 1 Ex ia I Ma	Internal capacity (Ci): ≤ 23nF Internal inductance: (Li): < 10μH Resistance of insulation: > 10MΩ, 500 VDC Current limiting output signal: 4...20mA: ca. 24 mA (Overload)
1, 2, 20, 21, 22	 II 2 G Ex ia IIC T4/T6 Gb II 1D Ex IIIC T ₂₀₀ 160° Da	Internal capacity (Ci): ≤ 23nF Internal inductance: (Li): < 10μH Resistance of insulation: > 10MΩ, 500 VDC Current limiting output signal: 4...20mA: ca. 24 mA (Overload)


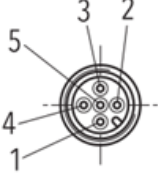
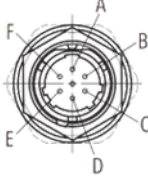

Technical Parameters

Technical Parameters			
Accuracy	TEB (Total Error Band) from -13...+185°F	> 15 psi +/- 2.0% FS typical	≤ 15psi +/- 1.0% FS typical
	NLH (nonlinearity & hysteresis) at 77°F(BSL)	> 15 psi +/- 0.2% FS typical	≤ 15psi +/- 0.1% FS typical
	TC zero point and span	> 15 psi +/- 0.03% FS typical	≤ 15psi +/- 0.01% FS typical
	Long term stability 1year at 77°F	> 15 psi +/- 0.2% FS typical	≤ 15psi +/- 0.2% FS typical
	Rise time	Typical 1ms /10 ...90% nominal pressure	
Electrical	Power-on delay	Max. 1.5 s	
Environmental	Media temperature	Max. -40°F ... +248°F	
	Ambient temperature	Max. -40°F ... +248°F	
	Protection	IP65: DIN43650A IP67: M12, MIL-C & fixed cable	
	Humidity	Max. 95 % relative	
	Vibration	10 g (50...2000 Hz)	
	Shock	50 g /3 ms	
EMC	Emission	IEC 61000-6-4	
	Immunity	IEC 61000-6-2	
Mechanical	Wetted parts (sensor)	1.4542 (AISI630), optional hydrogen-compatible Steel	
	Wetted parts (process connection)	Pressure ranges ≤ 232 psi: 1.4542 Pressure ranges > 232 psi: 1.4404 Optional hydrogen-compatible steel	
	Housing	1.4301 (AISI304)	
	Sealing	FKM/EPDM	
	Weight	165 g	
	Installation torque	25 Nm	

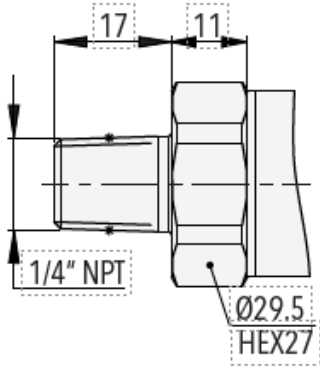
Accuracy Class 0.5%



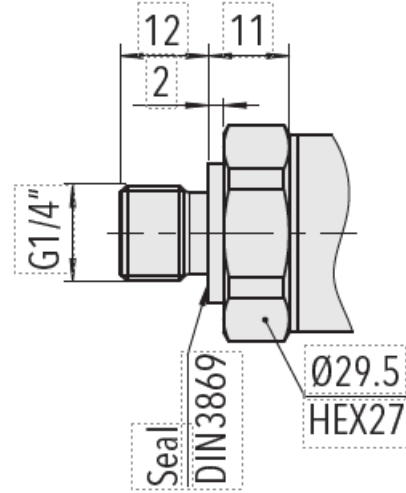
Pin-Out Options

		Protection / Electrical Connection			
		IP65 ^{1) 2)}	IP67 ^{1) 2)}	IP67 ^{1) 2)}	IP68 max, 3m
		Industrial Standard EN175301-803A	M12x1 4-pole	MIL-C 26482	Cable ²⁾ EPD Raychem
		6B	6D	6J	6Z, 7A, 7B
					
Output Signal	V+ (supply voltage)	99	99	99	99
	→ (output signal)	2	4	A	Red
	GRD (common)	1	1	C	Black
		4	5	F	Green

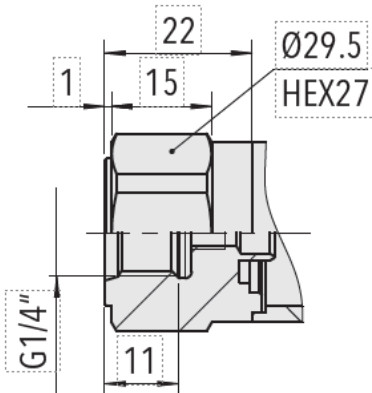
Process Connection Dimensions



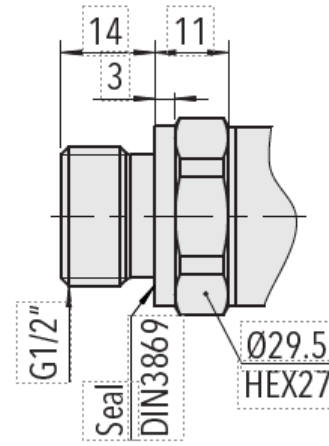
1/4" NPT male



G1/4" male

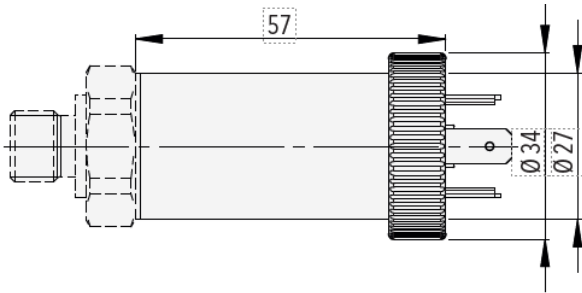


G1/4" female

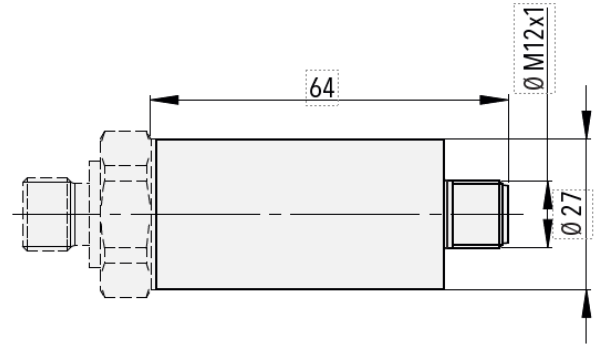


G1/2" male

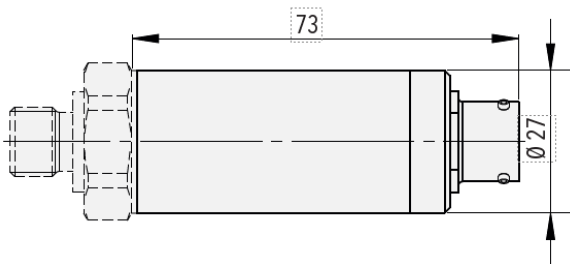
Electrical Connection Dimensions



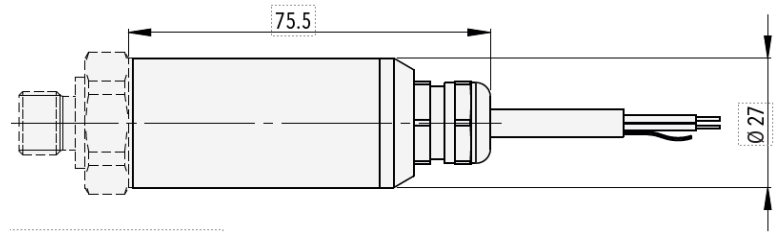
Industrial Standard EN175301-803A



M12x1 5-pole

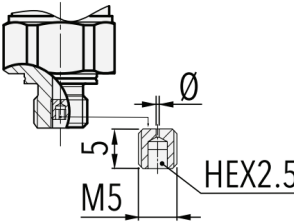


MIL-C 26482



EPD Raychem Cable

Removable Pressure Peak Damping Element

Dimensions	Diameter Restrictions	Ordering Code
	0.4 mm	D4
	1.0 mm	D1



PAQUIN SENSORS

Paquin Sensors' product portfolio is designed to provide options to fit the most diverse range of specifications.

We collaborate with our customers to match the best product technologies with your unique application requirements.

Please [contact us](#) or call +1 (800) 831-8217 anytime to discuss your needs!