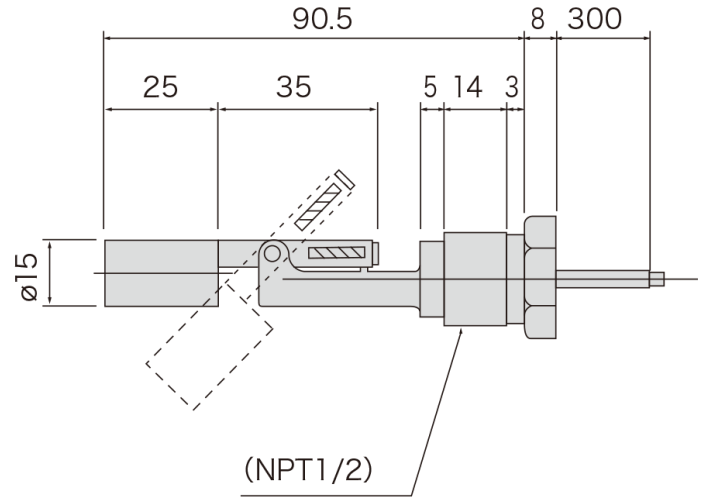
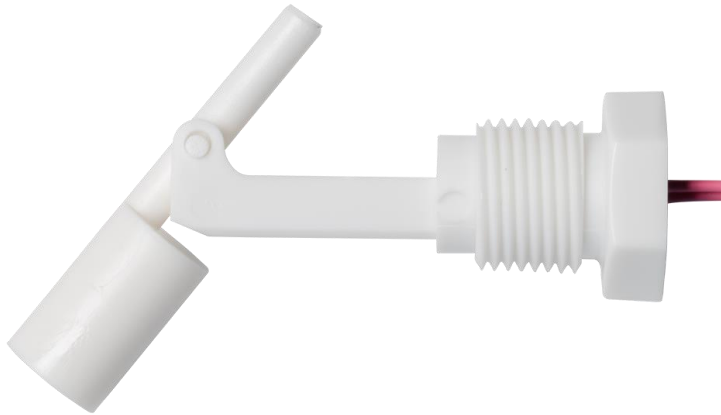


Overview



Description

The P302 is a side-mounted float-type level switch designed for precise liquid level detection in various tank depths. Its durable plastic housing and side-threaded installation make it suitable for applications involving water and chemical solutions.

Technical Parameters

Material	Stem	P.P.
	Float	P.P.Foamed
	Stopper	—
	Nat	—
Specifications	Temperature Range (Atmospheric)	-10°C~+80°C
	Pressure Resistance (Room Temperature)	0.2MPa
	Float Specific Gravity	0.7±0.05
Electric Specs	Maximum Contact Capacity	50W DC/AC
	Maximum Voltage	300V DC/AC
	Maximum Current	0.5A DC/AC
	Wire Length	300mm Standard (Custom lengths available)