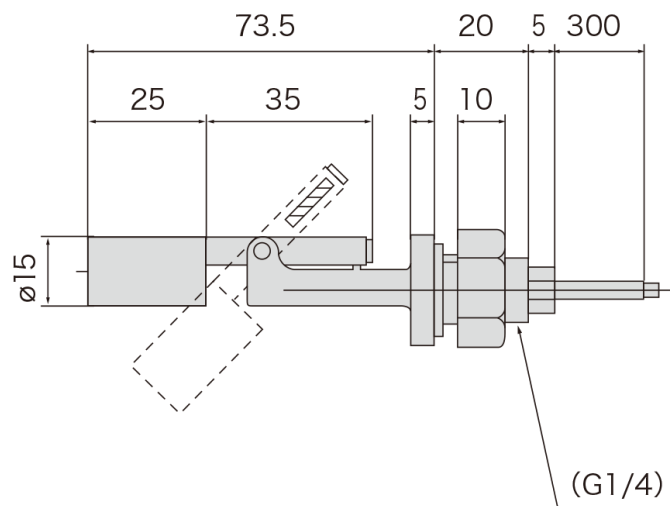


Overview



Description

The P301 is a side-mounted float-type level switch designed for precise liquid level detection in various industrial applications. Its robust plastic housing and compatibility with oils make it a reliable choice for monitoring fluid levels in demanding environments.

Technical Parameters

Material	Stem	6-N
	Float	6-NFoamed
	Stopper	—
	Nat	POM
Specifications	Temperature Range (Atmospheric)	-10°C~+110°C
	Pressure Resistance (Room Temperature)	0.2MPa
	Float Specific Gravity	0.7±0.05
Electric Specs	Maximum Contact Capacity	50W DC/AC
	Maximum Voltage	300V DC/AC
	Maximum Current	0.5A DC/AC
	Wire Length	300mm Standard (Custom lengths available)