

Heavy-Duty & Smart for Process Industry

- 4...20mA, HART, RS485 Modbus
- Gauge, absolute, sealed gauge
- With LCD digital display
- -14.5...+15,000 psi
- Zero point and full span adjustability
- Stainless steel 316L wetted parts
- Optional Ex protection Exia II CT6



About

The P18 is a ruggedized heavy-duty transmitter designed to withstand harsh environments commonly found in process industries. User can set the visual display to current, percentage, psi, inH₂O, inHG, mbar, kPa, Mpa, Torr, atm, kgcm, Pa and more. Available as 4...20mA with HART or RS485 MODBUS, the P18 smart transmitter is an economically priced product offering much versatility.

Applications

- ✓ Production facilities
- ✓ Skid packages
- ✓ Gas & oil
- ✓ Paper & pulp
- ✓ Water treatment
- ✓ Pneumatics
- ✓ Chemicals
- ✓ Gases
- ✓ Refrigerants
- ✓ Oxygen

Build Your Part Number

Series P18

Example: P18G9T115E7J

Series	
P18	

Pressure Reference - <i>select one</i>	
G	Gauge
S	Sealed Gauge
A	Absolute

Safety Barrier - <i>select one</i>	
9	Standard (no safety barrier)
11	Exia II CT6

Output Signal & Digital Display - <i>select one; see diagrams page 4</i>		Supply
T	4 ... 20 mA + HART WITHOUT display	24 (12 ... 36) VDC
U	4 ... 20 mA + HART WITH display	24 (18 ... 36) VDC
V	4 ... 20 mA + RS485 MODBUS WITH display	24 (18 ... 36) VDC

Pressure Range (psi) - <i>select one</i>		Over Pressure (psi)	Burst Pressure (psi)
11	-14.5 ... 0	5	10
12	0 ... -14.5	5	10
13	-14.5 ... 15	30	90
14	-14.5 ... 30	60	180
15	0 ... 1.5	4.5	9
16	0 ... 2	6	12
17	0 ... 2.5	7.5	15
18	0 ... 5	15	30
19	0 ... 10	30	60
21	0 ... 15	30	75
22	0 ... 20	40	100
23	0 ... 25	50	125
24	0 ... 30	60	150
25	0 ... 50	100	250
26	0 ... 100	200	500
27	0 ... 150	300	750
28	0 ... 200	400	1000
29	0 ... 250	500	1250
31	0 ... 300	600	1500
32	0 ... 400	800	1600
33	0 ... 500	1000	2000
34	0 ... 1000	2000	4000
35	0 ... 1500	3000	6000
36	0 ... 2000	4000	8000
37	0 ... 3000	4500	12000
38	0 ... 5000	7500	7500
39	0 ... 7500	11250	11250
41	0 ... 10000	15000	15000
44	0 ... 15000	22500	30000

Build Your Part Number

Series P18

Example: P18G9T115E7J

Process Connection – select one; see diagrams page 5

5E	1/2" NPT male
5Q	G1/2" male

Electrical Connection – select one; see wiring schematic page 4

7J	Cable gland
----	-------------

Technical Parameters

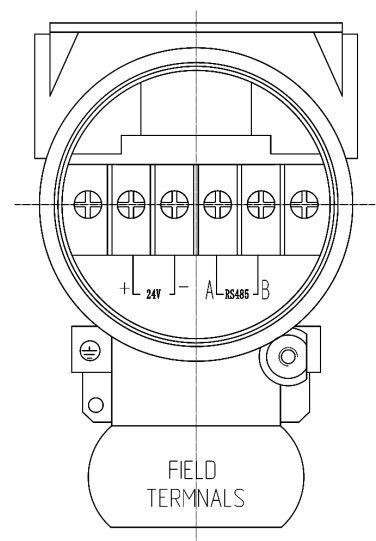
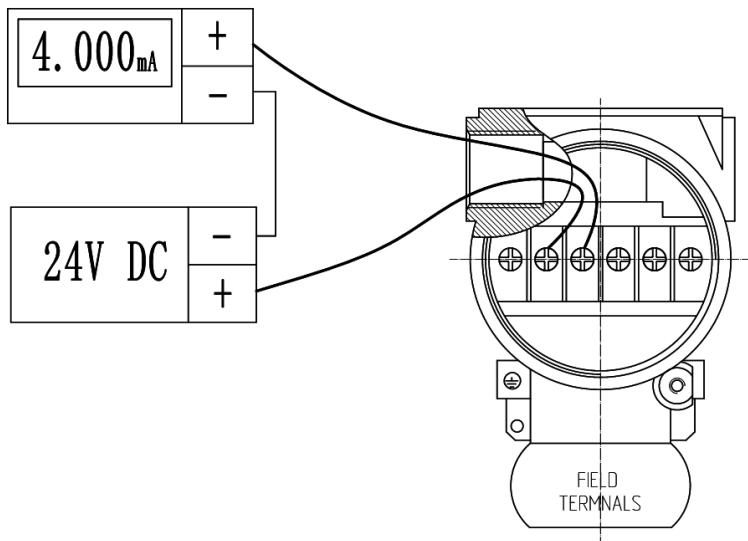
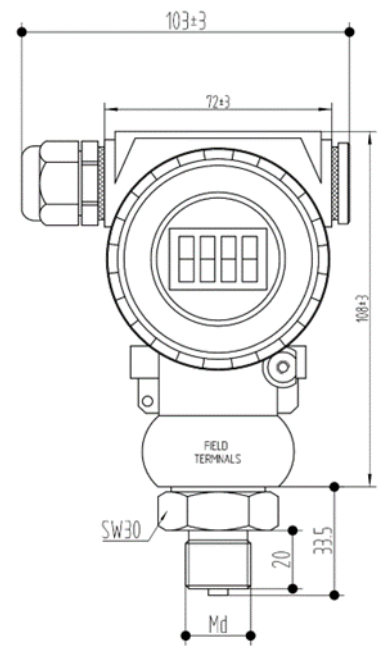
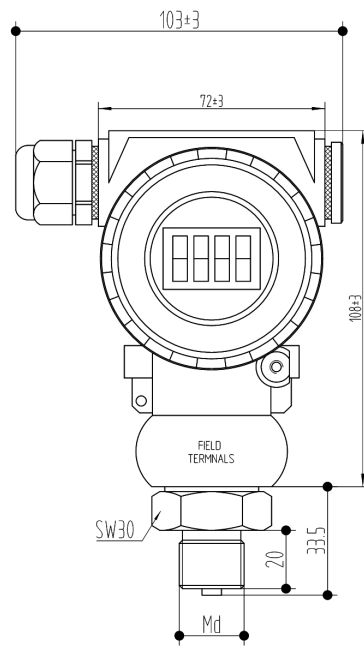
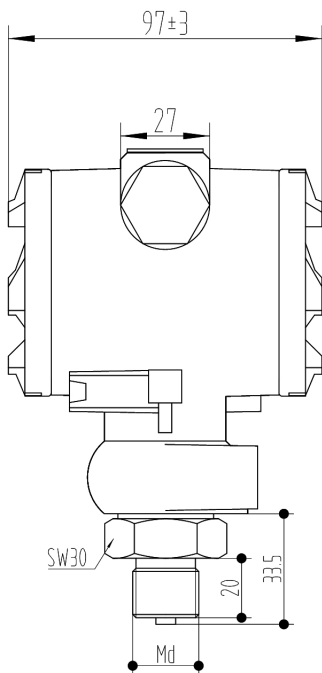
Technical Parameters		
Accuracy	At 77°F	± 0.5% FS typical
	Temperature effect on zero	> 5 psi +/-1/5% FS (14...158°F)
	Temperature effect on zero	≤ 5 psi +/-3% FS (32...140°)
	Long term stability	+/-0.2% FS over 1 year
	Response time	HART ≤ 2s typical (90% FS) / RS485 ≤ 1000ms typical (90% FS)
Environmental	Media temperature	-4°F ... +185°F
	Ambient temperature	-4°F ... +185°F
	Storage temperature	-40...+257°F
	Protection	IP65
	Vibration	20 g (20...5000 Hz)
	Shock	100 g / 11 ms
	Insulation	100M Ω / 250 VDC
	Ex (optional)	Exia II CT6
EMC	EMC surge	(IEC61000-4-5) 2kV
	EMC static	(IEC61000-4-2) contact discharge 8kV, air discharge 15kV
Mechanical	Wetted parts	Stainless steel 316L
	Housing	Low copper aluminum alloy

Housing Dimensions & Wiring Schematics

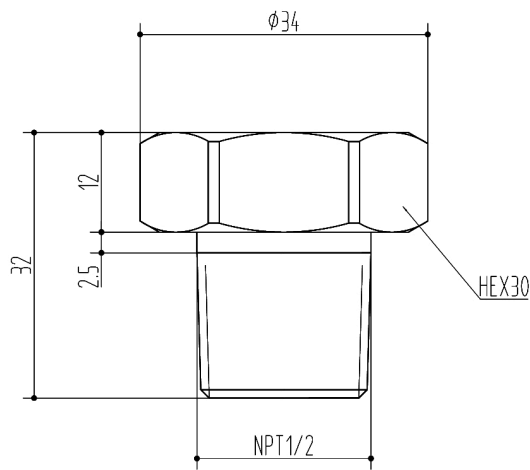
Option T Without Digital Display

Option U With Digital Display

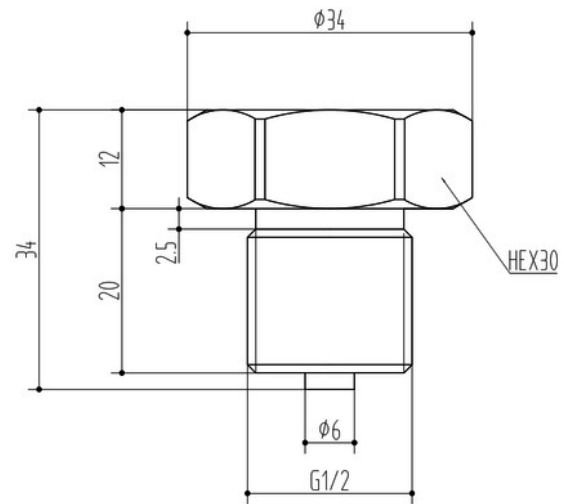
Option V With Digital Display



Process Connection Dimensions



1/2" NPT male



G1/2" male

PAQUIN
SENSORS

Paquin Sensors' product portfolio is designed to provide options to fit the most diverse range of specifications.

We collaborate with our customers to match the best product technologies with your unique application requirements.

Please [contact us](#) or call +1 (800) 831-8217 anytime to discuss your needs!