

Heavy-Duty Compact Process Industry

- Small form factor 4" x 3" x 5.5"
- Gauge, absolute, sealed gauge
- With or without display
- -14.5...+ 8,500 psi
- Stainless steel 316L wetted parts
- Optional Ex protection
Exia II CT6
- 4...20mA
- Economical price point



About

Small yet totally robust, the P10 sets the bar for best-in-class form, fit and function. With highly durable enamel coated over a heavy-duty thick-walled metal housing, this transmitter is designed to withstand the harshest of environments. At a price point that is attractive, the P10 is a favorite for OEM's, skid packagers, production facilities, utilities and more.

Applications

- ✓ Production facilities
- ✓ Skid packages
- ✓ Gas & oil
- ✓ Paper & pulp
- ✓ Water treatment
- ✓ Pneumatics
- ✓ Chemicals
- ✓ Gases
- ✓ Refrigerants
- ✓ Oxygen

Build Your Part Number

Series P10

Example: P10G9T115C7J

Series	
P10	

Pressure Reference - select one	
G	Gauge
S	Sealed Gauge
A	Absolute

Safety Barrier - select one	
9	Standard (no safety barrier)
11	Exia II CT6

Output Signal & Digital Display - select one; see diagrams page 4		Supply
T	4 ... 20 mA - WITHOUT display	Standard: 24 (12 ... 30) VDC / Intrinsic: 24 (12 ... 30) VDC
U	4 ... 20 mA - WITH display	Standard: 24 (12 ... 30) VDC / Intrinsic: 24 (15 ... 30) VDC

Pressure Range (psi) - select one		Over Pressure (psi)	Burst Pressure (psi)
11	-14.5 ... 0	5	10
12	0 ... -14.5	5	10
13	-14.5 ... 15	30	90
14	-14.5 ... 30	60	180
15	0 ... 1.5	4.5	9
16	0 ... 2	6	12
17	0 ... 2.5	7.5	15
18	0 ... 5	15	30
19	0 ... 10	30	60
21	0 ... 15	30	75
22	0 ... 20	40	100
23	0 ... 25	50	125
24	0 ... 30	60	150
25	0 ... 50	100	250
26	0 ... 100	200	500
27	0 ... 150	300	750
28	0 ... 200	400	1000
29	0 ... 250	500	1250
31	0 ... 300	600	1500
32	0 ... 400	800	1600
33	0 ... 500	1000	2000
34	0 ... 1000	2000	4000
35	0 ... 1500	3000	6000
36	0 ... 2000	4000	8000
37	0 ... 3000	4500	12000
38	0 ... 5000	7500	7500
39	0 ... 7500	11250	11250
41	0 ... 10000	15000	15000
44	0 ... 15000	22500	30000

Build Your Part Number

Series P10
Example: P10G9T115C7J
Process Connection – select one; see diagrams page 5

5C	1/4" NPT male
5E	1/2" NPT male
5N	G1/4" male
5Q	G1/2" male

Electrical Connection – select one; see wiring schematic page 4

7J	Cable gland
-----------	-------------

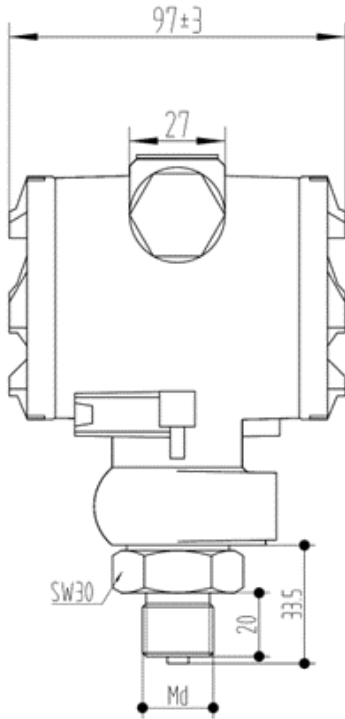
Technical Parameters

Technical Parameters

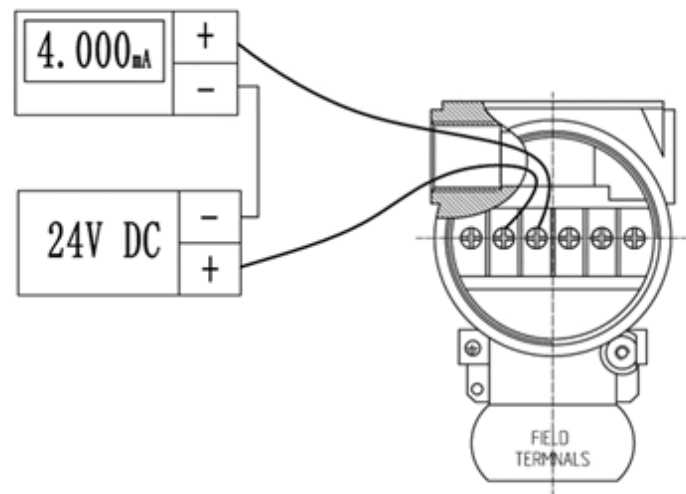
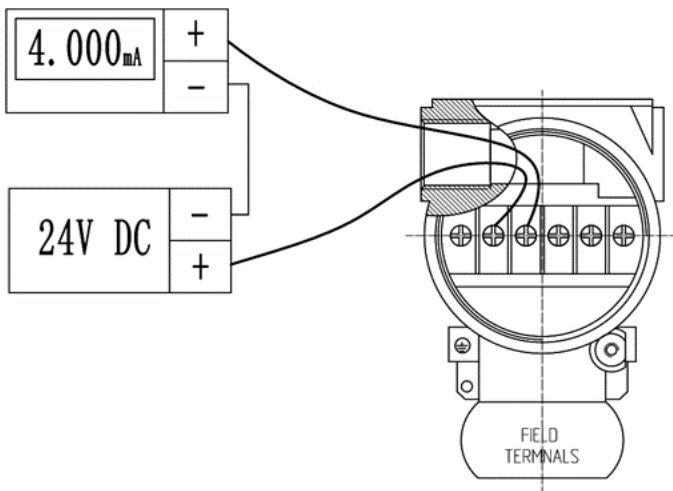
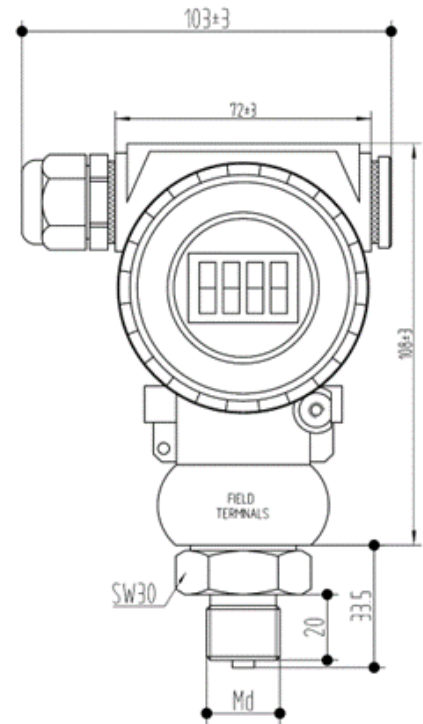
Accuracy	At 77°F	± 0.5% FS typical
	TEB (Total Error Band) from -4...+185°F	± 1.5% FS typical
	Long term stability	+/-0.2% FS over 1 year
	Response time	≤ 1 ms typical (90% FS)
Environmental	Media temperature	-4°F ... +185°F
	Ambient temperature	-4°F ... +185°F
	Storage temperature	-40...+257°F
	Protection	IP65
	Vibration	20 g (20...5000 Hz)
	Shock	100 g / 11 ms
	Insulation	100M Ω / 250 VDC
	Ex (optional)	Exia II CT6
EMC	EMC surge	(IEC61000-4-5) 2kV
	EMC static	(IEC61000-4-2) contact discharge 8kV, air discharge 15kV
Mechanical	Wetted parts	Stainless steel 316L
	Housing	Low copper aluminum alloy

Housing Dimensions & Wiring Schematics

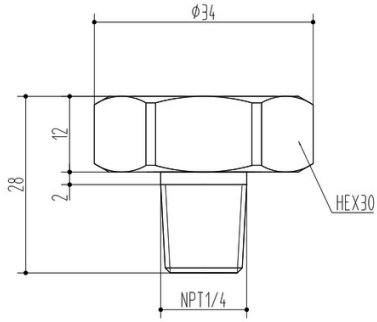
Option T
Without Digital Display



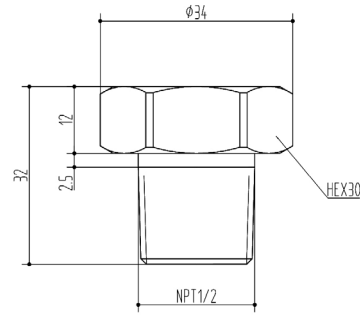
Option U
With Digital Display



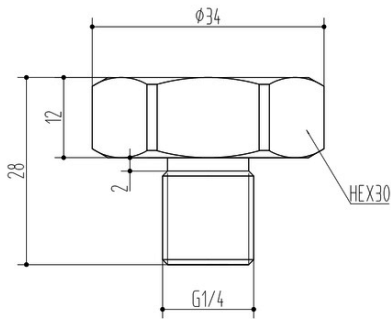
Process Connection Dimensions



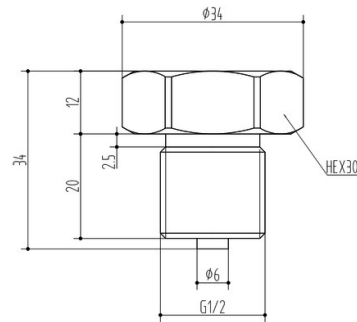
1/4" NPT male



1/2" NPT male



G1/4" male



G1/2" male

PAQUIN SENSORS

Paquin Sensors' product portfolio is designed to provide options to fit the most diverse range of specifications.

We collaborate with our customers to match the best product technologies with your unique application requirements.

Please [contact us](#) or call +1 (800) 831-8217 anytime to discuss your needs!