

M-LAS Series

▶ M-LAS-10-RFX-IR Reflex Laser Light Barrier

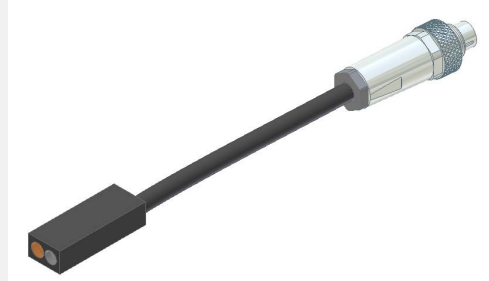
- Laser beam divergence < 1 mrad
- Beam diameter at transmitter optic output < 1 mm
- Laser class 1 ($P_o < 0,4 \text{ mW}$)
- Infrared light beam (850 nm)
- Enclosure rating IP67
- Flexible cable made of PUR (oil-resistant, shielded)
- Scratch-resistant optics cover made of glass
- Small housing (made of aluminum)
- **Single operation of the light barrier is not possible!**

In Proud Partnership with Sensor Instruments

PAQUIN
SENSORS

For technical support, sales, & distribution
within the USA & Canada

www.paquin.com | (800) 831-8217 | paquinsensors@paquin.com

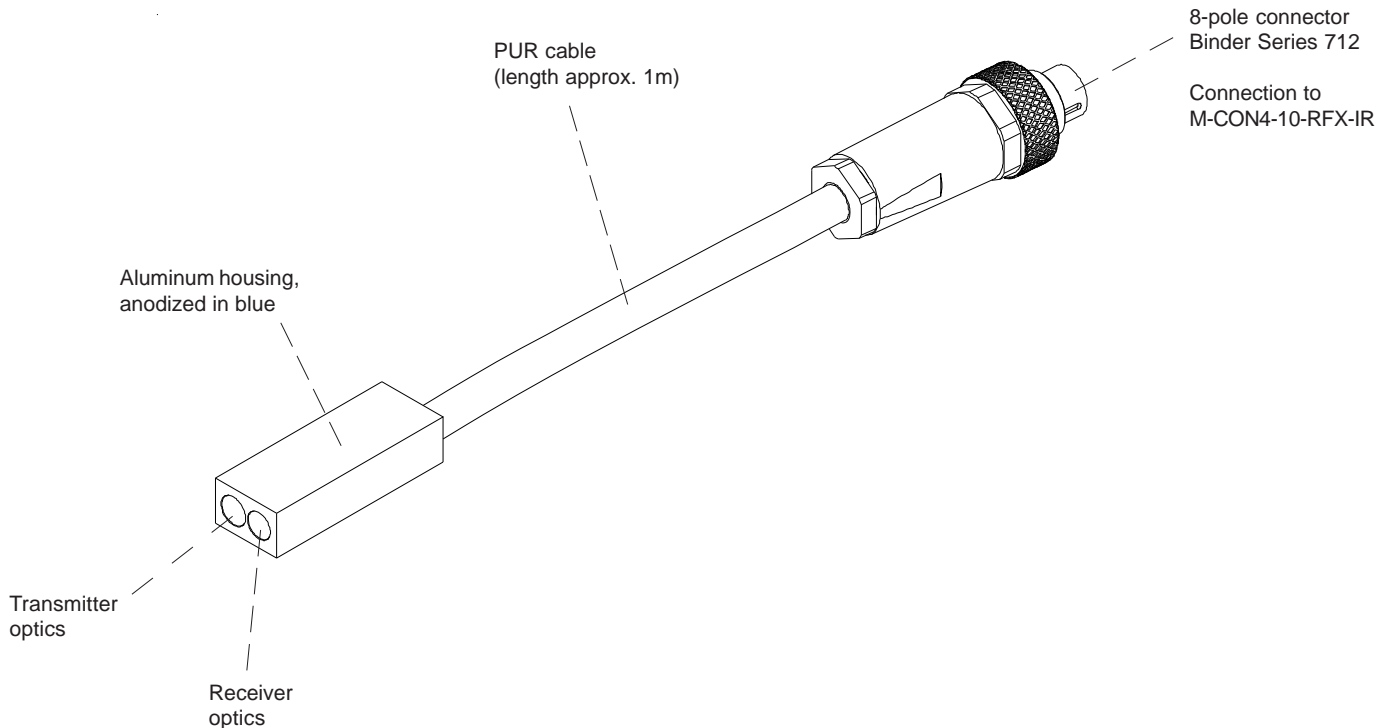


Design

Product name:


M-LAS-10-RFX-IR

for connection with M-CON4-10-RFX-IR





Technical Data

Model	M-LAS-10-RFX-IR
Laser	Semi-conductor laser, 850 nm, AC operation, 0,4 mW max. optical power, laser class 1 acc. to DIN EN 60825-1. The use of these laser sensor therefore requires no additional protective measures.
Reflector distance	max. 800 mm
Spot size	at housing outlet: typ. 0,7 mm at a distance of 20 mm: typ. 0,5 mm at a distance of 800 mm: typ. 2,8 mm
Min. detectable object	typ. 0,02 mm
Resolution	typ. 0,02 mm
Reproducibility	typ. 0,05 mm
Optical filter	Day light block filter RG715
Optics	collimated
Pulsating light operation	100 kHz
Ambient light	up to 5000 Lux
Enclosure rating	IP67
Current consumption	typ. 5 mA
EMC test acc. to	DIN EN 60947-5-2 
Type of connector	Connection to M-CON4-10-RFX-IR electronic control unit via 8-pole female connector type Binder 712
Operating temperature range	-20°C ... +80°C
Operating temperature range	-20°C ... +90°C
Housing	Aluminum, anodized in black
Housing dimensions	LxWxH approx. 30 mm x 11 mm x 7 mm



Laser Warning

The laser transmitter M-LAS-10-RFX-IR comply with laser class 1 according to EN 60825.

The use of these laser transmitters therefore requires no additional protective measures.

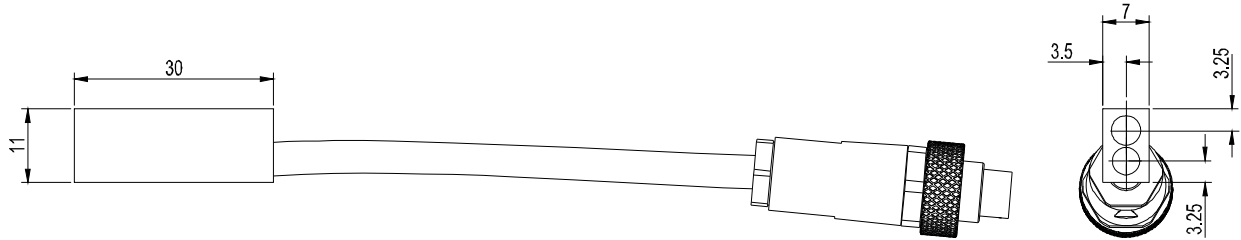


LASER CLASS 1



Dimensions

All dimensions in mm

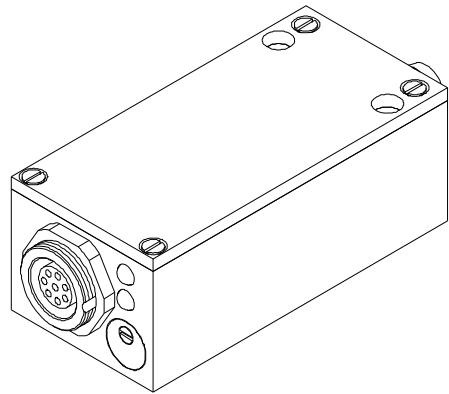
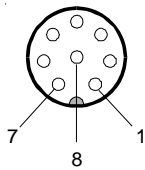


Connector Assignment

Connection of M-LAS-10-RFX-IR to M-CON4-10-RFX-IR:

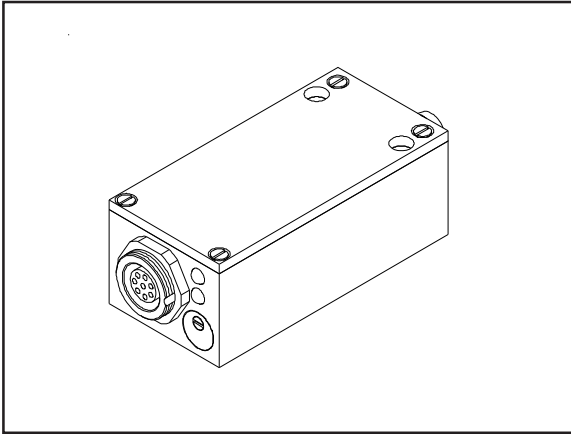
Pin No. Assignment of 8-pole connector Binder Series 712

- 1 GND (0V)
- 2 +5V
- 3 n.c.
- 4 Output receiver (/AC)
- 5 n.c.
- 6 n.c.
- 7 Transmitter anode
- 8 Transmitter cathode

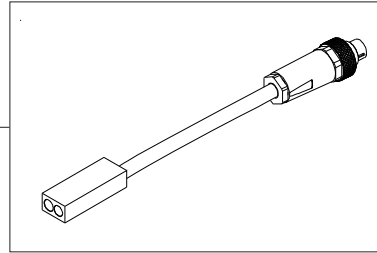




Product Line



M-CON4-10-RFX-IR
electronic control unit



M-LAS-10-RFX-IR
reflex laser light barrier