

# TLB Series

## ▶ FKB-06

### Fork light barriers

- Insensitive to outside light due to optical filtering
- Various fork sizes available
- Various aperture sizes available
- Oil resistant connecting cable
- High resolution
- Sturdy metal housing
- Alternatively version with visible red light beam or IR version

In Proud Partnership with Sensor Instruments

**PAQUIN**  
SENSORS

For technical support, sales, & distribution  
within the USA & Canada

www.paquin.com | (800) 831-8217 | paquinsensors@paquin.com



## Design

### Product name:

**FKB-06-(fork size)-(aperture)-(type)-500** (fork light barrier, cable l=500 mm)

**FKB-06-(fork size)-(aperture)-(type)-1000** (fork light barrier, cable l=1000 mm)

**Available fork sizes:** (cf. dimensions page 3)

**5/10** (fork width A=5 mm, fork depth B=10 mm)

**10/10** (fork width A=10 mm, fork depth B=10 mm)

**10/15** (fork width A=10 mm, fork depth B=15 mm)

### Available types:

**IR** (infrared light beam)

**VIS** (visible red light beam)

### Available apertures:

for type IR:

**d0.4** (circular aperture Ø 0.4 mm)

**d0.6** (circular aperture Ø 0.6 mm)

**d0.8** (circular aperture Ø 0.8 mm)

**d1.0** (circular aperture Ø 1.0 mm)

**d1.2** (circular aperture Ø 1.2 mm)

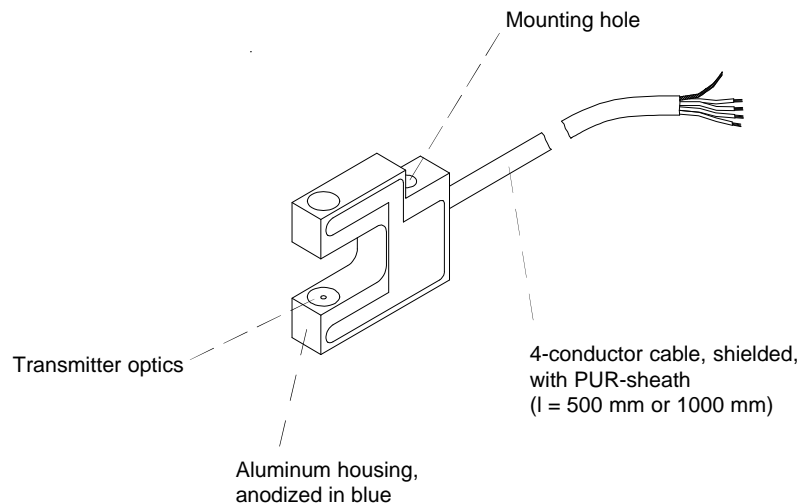
for type VIS:

**d0.6** (circular aperture Ø 0.6 mm)

**d0.8** (circular aperture Ø 0.8 mm)

**d1.0** (circular aperture Ø 1.0 mm)

**d1.2** (circular aperture Ø 1.2 mm)



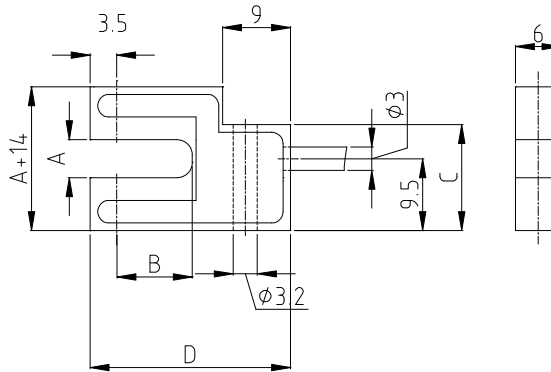

**Technical Data**

<b>Model</b>	<b>FKB-06</b>
Transmitter	IR type: IR-LED, 905 nm, DC operation: max. opt. power < 0,4 mW, AC operation: medium opt. power < 0,4 mW VIS type: red LED 660 nm, opt. power 0,4 mW
Minimum detectable object	typ. 10 µm (DC operation, depending on the aperture), typ. 200 µm (AC operation)
Light spot dimension (at transmitter output)	IR type: Ø 0.6 mm, 0.8 mm, 1.0 mm, or 1.2 mm VIS type: Ø 0.8 mm
Repeatability	typ. 10 µm
Optical filter	IR type: Daylight rejection filter RG715 VIS type: IR rejection filter KG2
Receiver aperture	IR type: Ø 0.4 mm, 0.6 mm, 0.8 mm, 1.0 mm, or 1.2 mm VIS type: Ø 0.6 mm, 0.8 mm, 1.0 mm, or 1.2 mm
EMC test acc. to	IEC - 801...
Ambient light	up to 5000 Lux (AC operation)
Cable type	PUR sheath, black, 4-conductor, shielded
Cable length	500 mm or 1000 mm
Mechanical protection	IP67
Connector type	open wires
Operating temperature range	-20°C ... +80°C
Storage temperature range	-20°C ... +80°C
Housing	Aluminum, anodized in blue
Housing dimensions	see page 3

Dimensions

FKB-06-(fork size):

Fork size	dim. A	dim. B	dim. C	dim. D
5/10	5 mm	10 mm	14 mm	26.5 mm
10/10	10 mm	10 mm	19 mm	26.5 mm
10/15	10 mm	15 mm	19 mm	31.5 mm



Fork size 5/10  
without inner radius

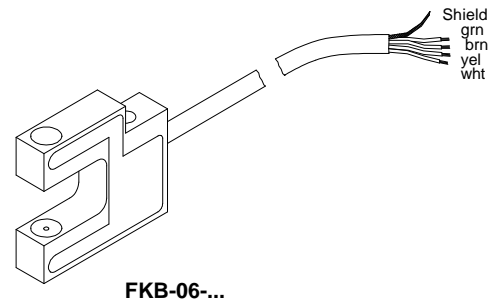
Fork sizes 10/10 and 10/15  
with inner radius R=2

(All dimensions in mm)

Connector Assignment

Pin assignment:

Color:	Assignment:
Green	Transmitter anode
Brown	Receiver collector
Yellow	Transmitter cathode
White	Receiver emitter
Shield	



FKB-06-...

**Product Line**

**Fork light barriers:**

**FKB-06-...**  
 FKB-06-...-P  
 FKB-06-...-TPN  
 FKB-06-...-TPO

FKB-06-...-BL  
 FKB-06-...-BL-P  
 FKB-06-...-BL-TPN  
 FKB-06-...-BL-TPO

FKB-08-...  
 FKB-08-...-P  
 FKB-08-...-TPN  
 FKB-08-...-TPO

FKB-08-...-BL  
 FKB-08-...-BL-P  
 FKB-08-...-BL-TPN  
 FKB-08-...-BL-TPO

**Split light barriers:**

SLB-01  
 SLB-01-P  
 SLB-01-TP

SLB-02  
 SLB-02-P  
 SLB-02-TP

SLB-03  
 SLB-03-P  
 SLB-03-TP

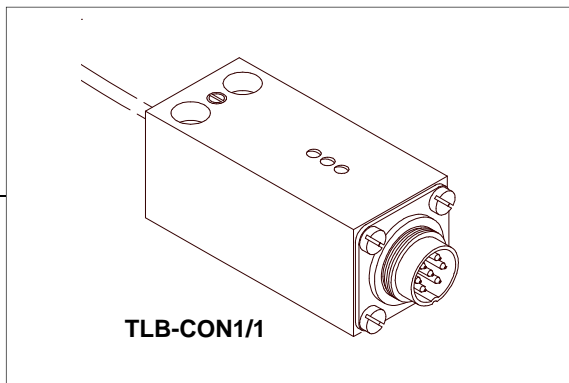
SLB-04  
 SLB-04-P  
 SLB-04-TPN  
 SLB-04-TPO

SLB-05  
 SLB-05-P  
 SLB-05-TPN  
 SLB-05-TPO

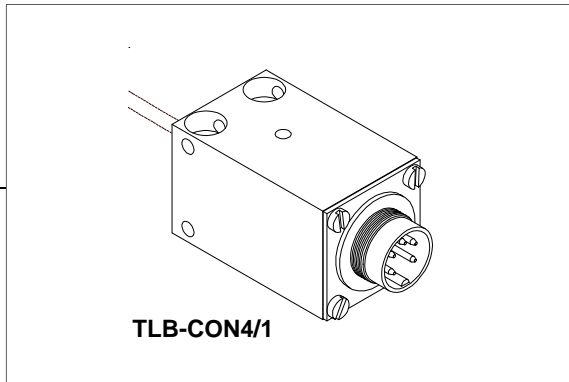
SLB-06  
 SLB-06-P  
 SLB-06-TP

SLB-08  
 SLB-08-P  
 SLB-08-TP

**Amplifiers in tool plug housing:**



Connecting cable:  
 cab-las-agl7 (2m)



Connecting cable:  
 cab-agl5 (2m)

