

In Proud Partnership with Sensor Instruments


PAQUIN
SENSORS

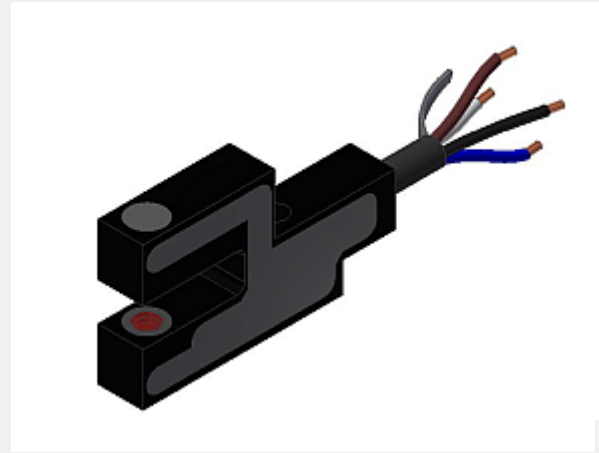
For technical support, sales, & distribution
within the USA & Canada

www.paquin.com | (800) 831-8217 | paquinsensors@paquin.com

FIA Series

▶ FIA-L-06-d0.2-...-C-RL-...

- Visible red laser light
- Class 1 laser product (680 nm, P<0.39 mW) 
- Integrated electronics
- Various fork sizes available
- Laser beam typ. Ø 0.2 mm
- Insensitive to dirt accumulation, insensitive to outside light
- Optical long-pass filter
- High switching frequency (typ. 50 kHz)
- Switching state indicator (yellow LED)
- Scratch-resistant optics
- Oil-resistant PUR cable (length 500 mm or 1000 mm)
- Sturdy aluminum housing, compact design
- Also available with tool plug (TP, TPO or TPX)



Design

Product name:

FIA-L-06-d0.2-(fork size)-C-RL-(length)

FIA-L-06-d0.2-(fork size)-C-RL-TP-(length) (with tool plug TP-M12, s. below)

FIA-L-06-d0.2-(fork size)-C-RL-TPO-(length) (with tool plug TPO-01, s. below)

FIA-L-06-d0.2-(fork size)-C-RL-TPX-(length) (with tool plug TPO-03, s. below)

Laser beam diameter:

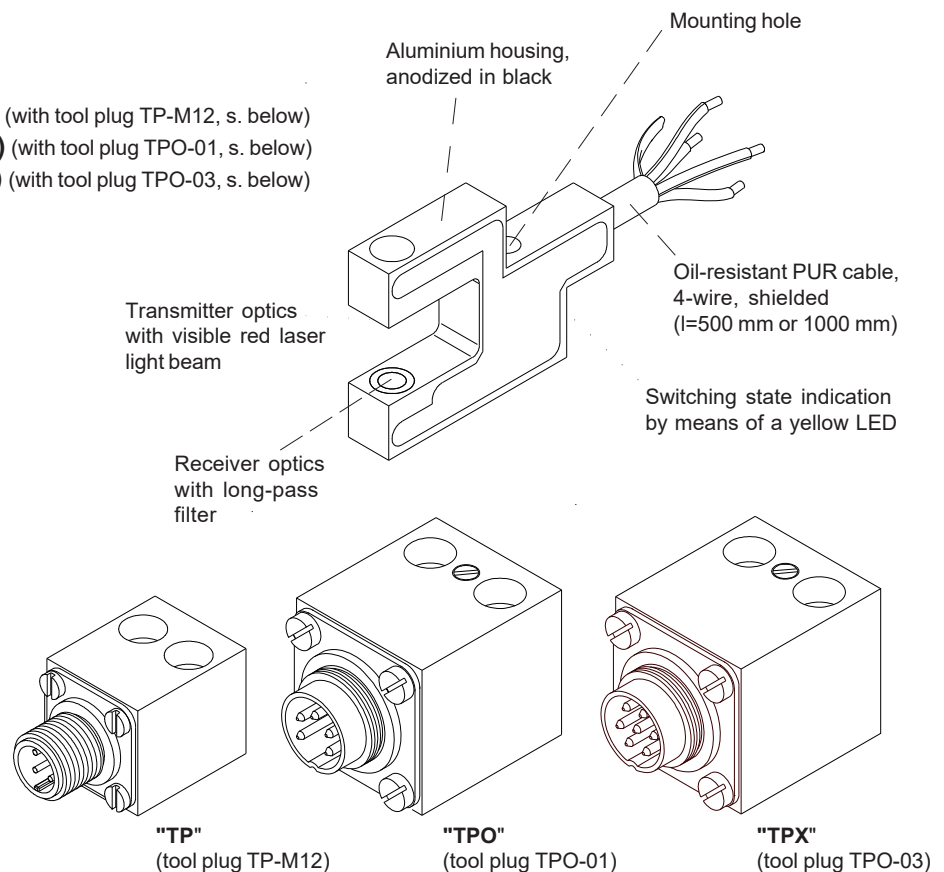
d0.2 (Ø 0.2 mm)

Available fork sizes: (cf. dimensions page 3)

- 5/10** (fork width A=5 mm, fork depth B=10 mm)
- 10/10** (fork width A=10 mm, fork depth B=10 mm)
- 10/15** (fork width A=10 mm, fork depth B=15 mm)
- 10/20** (fork width A=10 mm, fork depth B=20 mm)
- 10/30** (fork width A=10 mm, fork depth B=30 mm)
- 15/10** (fork width A=15 mm, fork depth B=10 mm)
- 20/10** (fork width A=20 mm, fork depth B=10 mm)
- 20/30** (fork width A=20 mm, fork depth B=30 mm)

Available lengths:


- 500** (cable length = 500 mm)
- 1000** (cable length = 1000 mm)



Available also with tool plug, three variants to choose from: (cf. page 4)

- TP** (tool plug TP-M12 with 4-pole M12-connector, fixed to the sensor cable)
- TPO** (tool plug TPO-01 with 5-pole connector 680, fixed to the sensor cable)
- TPX** (tool plug TPO-03 with 7-pole connector 680, fixed to the sensor cable)

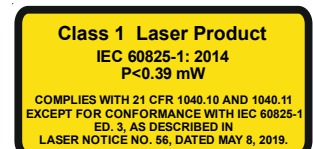

 Technical Data

Type	FIA-L-06-d0.2-...-C-RL
Laser	Solid state laser 680 nm, DC operation, 0.39 mW max. opt. power, laser class 1 acc. to DIN EN 60825-1. The use of these laser transmitters therefore requires no additional protective measures.
Laser beam	typ. Ø 0.2 mm
Min. detectable object	typ. 0.2 mm
Reproducibility	typ. 5 µm
Optical filter (receiver side)	long-pass filter
Voltage supply	+24VDC (± 10%), reverse polarity protected
Ambient light	up to 5000 Lux
Current consumption	typ. 20 mA
Aperture size (receiver side)	Circular aperture Ø 0.5 mm
Switching outputs (2x)	Q = pnp bright-switching (pnp n.c.) / npn dark-switching (nnp n.o.) Qinv = pnp dark-switching (pnp n.o.) / npn bright-switching (nnp n.c.) 100mA, short-circuit protection
Enclosure rating	IP67
Operating temperature range	-20°C ... +50°C
Storage temperature range	-20°C ... +85°C
Housing material	Aluminum, anodized in black
Housing dimensions	see page 3
Cable type	Cable integrated in the sensor housing: 4-wire PUR-sheath, shielded, length 500 mm or 1000 mm
EMC test acc. to	DIN EN 60947-5-2 
Switching frequency	typ. 50 kHz
Switching state indicator	by means of a yellow LED integrated in the sensor housing: LED on = sensor free LED off = sensor covered


 Laser Information

The laser transmitter of FIA-L Series comply with laser class 1 according to EN 60825-1. Under reasonably foreseeable conditions a class 1 laser is safe. The reasonably foreseeable conditions are kept during specified normal operation. The use of these laser transmitters therefore requires no additional protective measures.

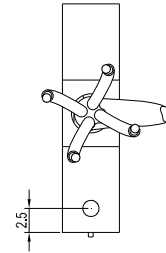
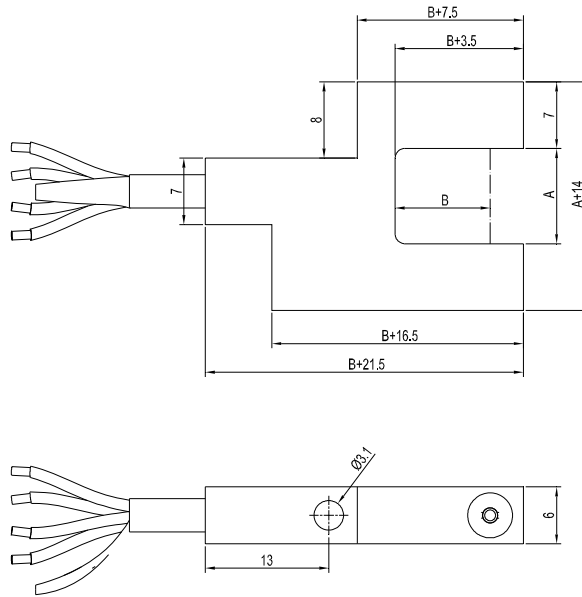
The laser transmitter of FIA-L Series are supplied with an information label „CLASS 1 LASER PRODUCT“.



Dimensions

FIA-L-06-d0.2-...-C-RL-...:

Fork size	dim. A	dim. B
5/10	5 mm	10 mm
10/10	10 mm	10 mm
10/15	10 mm	15 mm
10/20	10 mm	20 mm
10/30	10 mm	30 mm
15/10	15 mm	10 mm
20/10	20 mm	10 mm
20/30	20 mm	30 mm

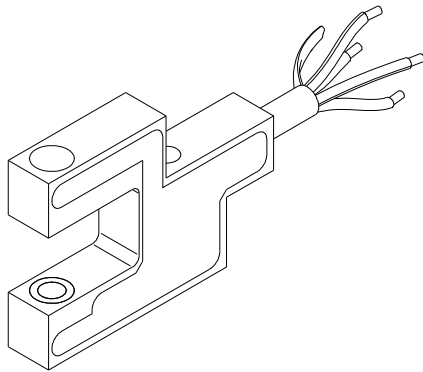


(All dimensions in mm)

Connector Assignment

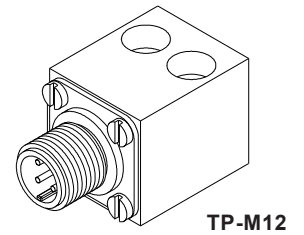
Assignment of cable wires of FIA-L-06-d0.2-...-C-RL-... (4-wire cable, PUR sheath, shielded):

Color:	Assignment:
Brown	+Ub (+24VDC ± 10%)
White	Qinv (pnp dark-switching, npn bright-switching)
Blue	GND (0V)
Black	Q (pnp bright-switching, npn dark-switching)
Shield	Housing



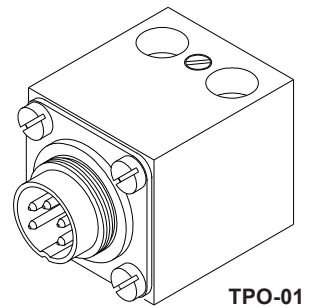
Connector assignment of FIA-L-06-d0.2-...-C-RL-TP-... (with tool plug TP-M12) (4-pole connector M12)

Pin:	Assignment:
1	+Ub (+24VDC ± 10%)
2	Output Qinv
3	GND (0V)
4	Output Q



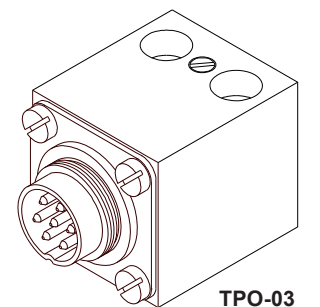
Connector assignment of FIA-L-06-d0.2-...-C-RL-TPO-... (with tool plug TPO-01) (5-pole connector Binder 680)

Pin:	Assignment:
1	GND (0V)
2	+Ub (+24VDC ± 10%)
3	Output
4	n.c.
5	Monitoring output



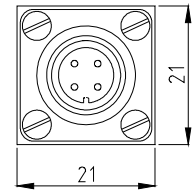
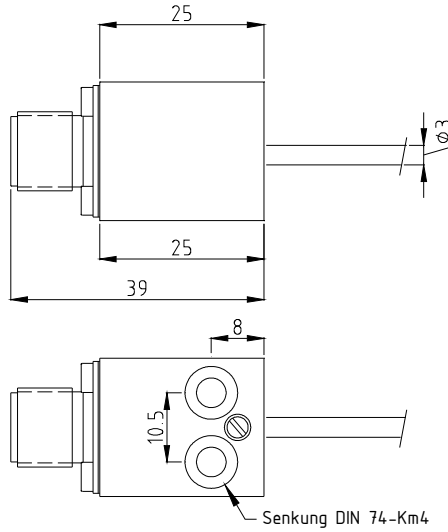
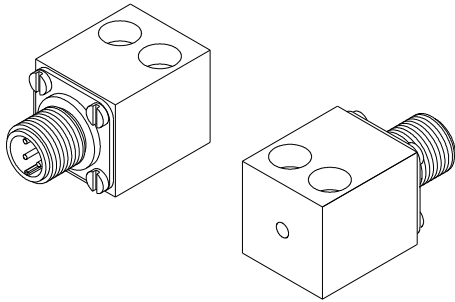
Connector assignment of FIA-L-06-...-C-IR-TPX-... (with tool plug TPO-03) (7-pole connector Binder 680)

Pin:	Assignment:
1	
2	
3	
4	(to be determined yet)
5	
6	
7	

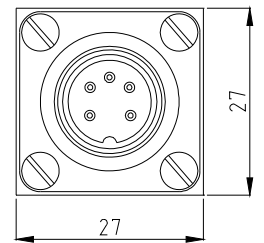
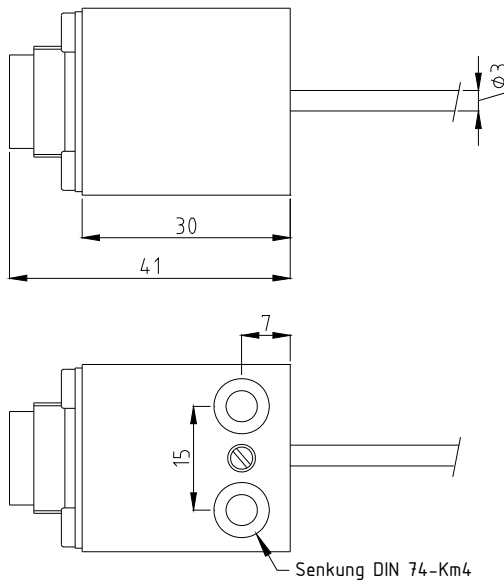
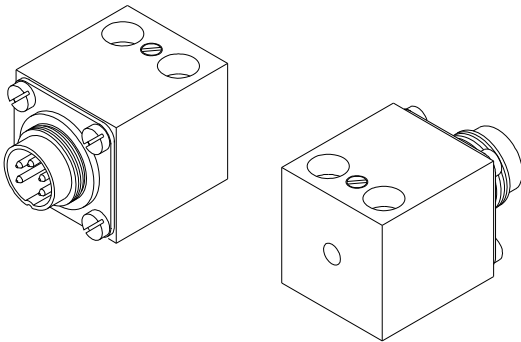


Tool Plugs

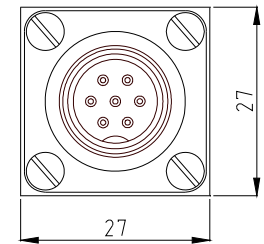
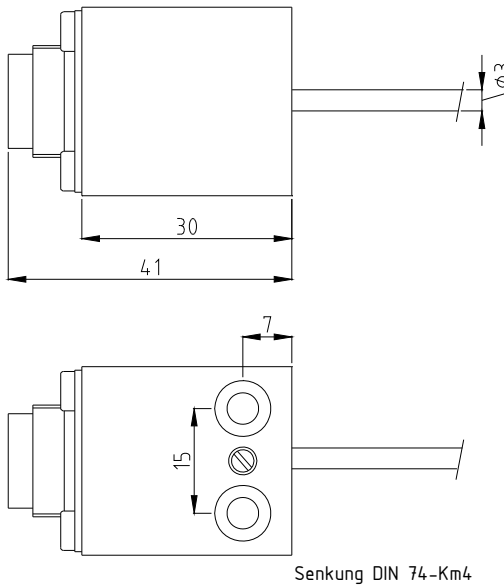
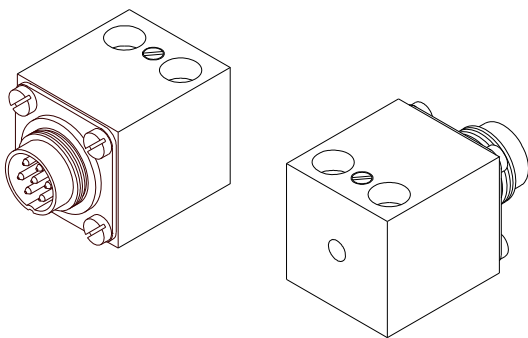
Tool plug TP-M12:



Tool plug TPO-01:



Tool plug TPO-03:



(All dimensions in mm)