

FIA Series

► FIA-C-06-0.6-5/8-IR-1000

- Integrated electronics
- Infrared light beam (IR LED 905 nm)
- Switching state indicator (yellow LED)
- Switching frequency typ. 1 kHz
- Scratch-resistant optics
- Oil-resistant cable with PUR sheath
- Sturdy aluminum housing
- Compact design
- Also available with tool plug

In Proud Partnership with Sensor Instruments



For technical support, sales, & distribution within the USA & Canada

www.paquin.com | (800) 831-8217 | paquinsensors@paquin.com



Design

Product name:

FIA-C-06-0.6-5/8-IR-1000

FIA-C-06-0.6-5/8-IR-1000-TP (incl. tool plug TP-M12, s. below)

FIA-C-06-0.6-5/8-IR-1000-TPO (incl. tool plug TPO-01, s. below)

Apertures:

0.6 (circular aperture Ø 0.6 mm)

Fork size: (cf. dimensions page 3)

5/8 (fork width A=5 mm, fork depth B=8 mm)

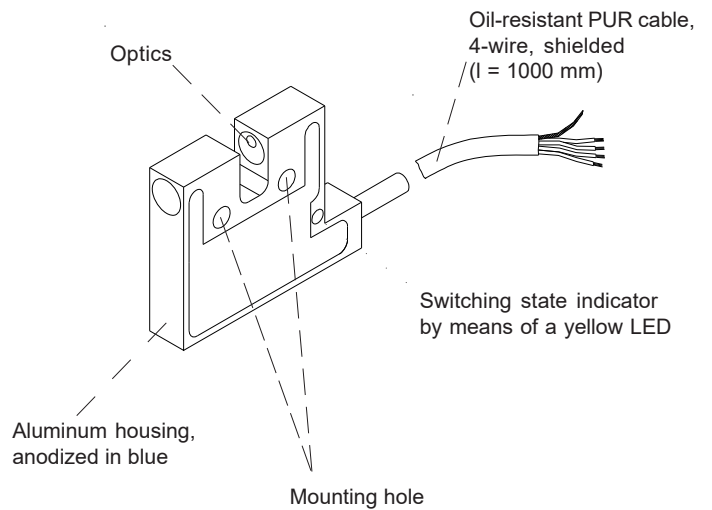
Length:

1000 (cable length = 1000 mm)

Also available with tool plug:

TP (incl. tool plug TP-M12 with 4-pole M12-connector, fixed to the sensor cable)

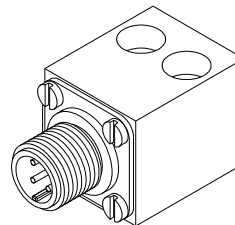
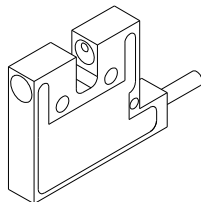
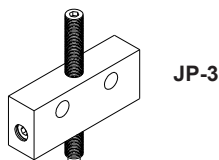
TPO (incl. tool plug TPO-01 with 5-pole connector 680, fixed to the sensor cable)



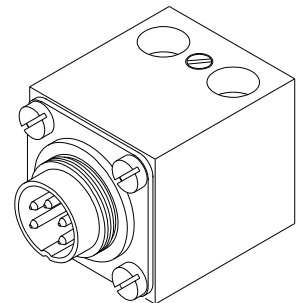
Accessories:

(please order separately, cf. page 4)

JP-3 (jam plate)



"TP"
(tool plug TP-M12)




"TPO"
(tool plug TPO-01)





Technical Data

Type	FIA-C-06-0.6-5/8-IR
Transmitter	IR LED: 905 nm
Min. detectable object	typ. 0.3 mm
Reproducibility	typ. 0.05 mm
Optical filter	Daylight block filter
Voltage supply	+24VDC (± 10%), reverse polarity protected
Ambient light	up to 5000 Lux
Current consumption	typ. 30 mA
Aperture size	Circular aperture Ø 0.6 mm
Switching outputs (2x)	Q = pnp bright-switching (pnp n.c.) / npn dark-switching (npn n.o.) Qinv = pnp dark-switching (pnp n.o.) / npn bright-switching (npn n.c.) 100mA, short-circuit protection
Enclosure rating	IP67
Operating temperature range	-20°C ... +50°C
Storage temperature range	-20°C ... +85°C
Housing	Aluminum, anodized in blue
Dimensions	see page 3
Cable type	Cable integrated in the sensor housing: 4-wire, PUR-sheath, shielded, length 1000 mm
EMC test acc. to	DIN EN 60947-5-2 
Switching frequency	typ. 1 kHz
Switching state indicator	by means of a yellow LED integrated in the sensor housing: LED on = sensor free LED off = sensor covered



Connector Assignment


Cable assignment FIA-C-06-5/8
(4-wire cable, PUR-sheath, shielded):

Color:	Assignment:
brown	+Ub (+24VDC ± 10%)
white	Qinv (pnp dark-switching, npn bright-switching)
blue	GND (0V)
black	Q (pnp bright-switching, npn dark-switching)
Shield	Housing

Connector assignment FIA-C-06-5/8 with TP-M12
(4-pole M12 connector):

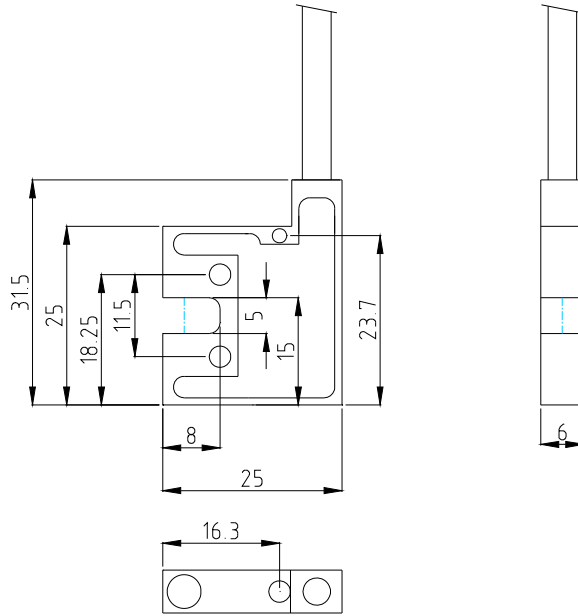
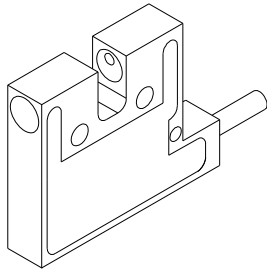
Pin:	Assignment:
1	+Ub (+24VDC ± 10%)
2	Output Qinv
3	GND (0V)
4	Output Q

Connector assignment FIA-C-06-5/8 with TPO-01
(5-pole connector Binder 680):

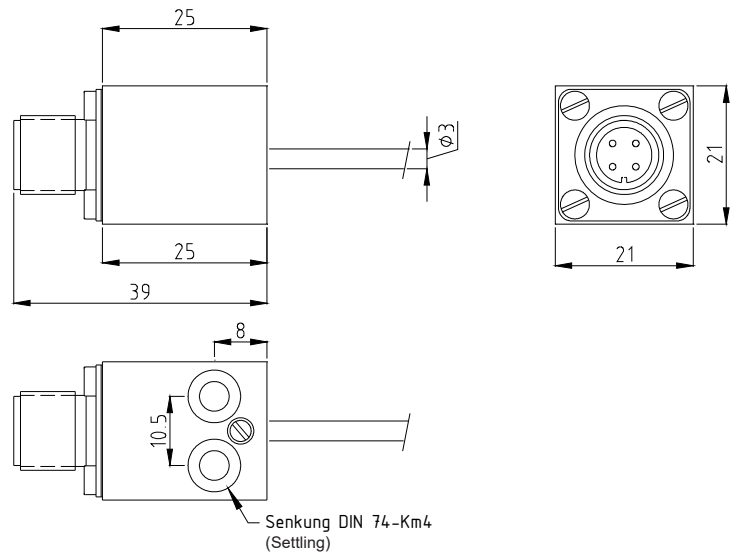
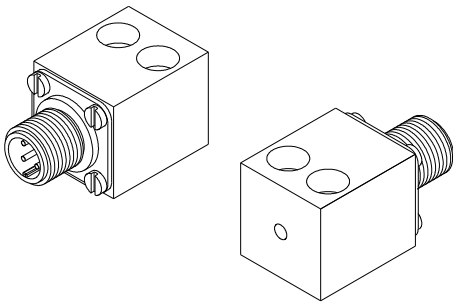
Pin:	Assignment:
1	GND (0V)
2	+Ub (+24VDC ± 10%)
3	Output 
4	n.c.
5	Connection control

Dimensions

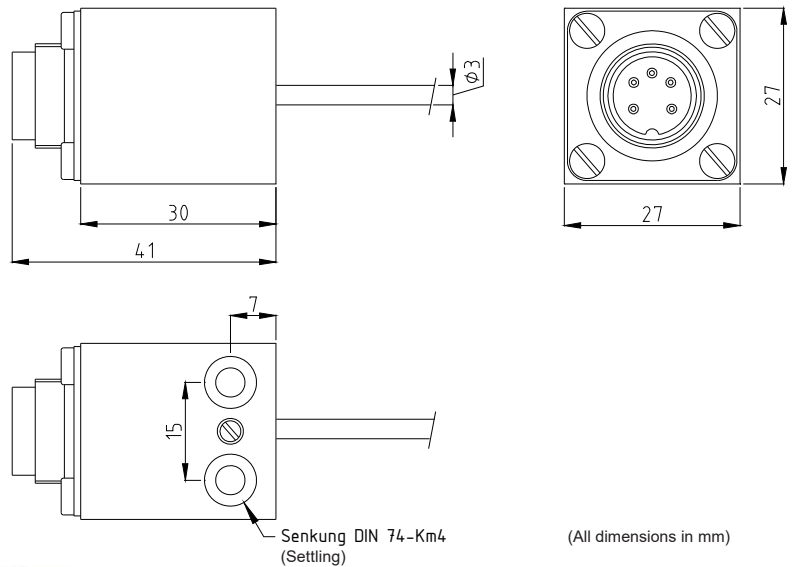
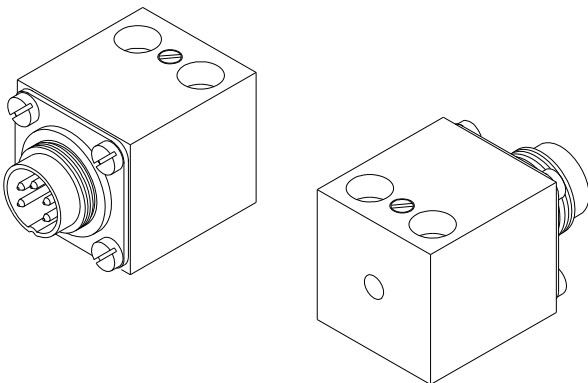
FIA-C-06-0.6-5/8-IR-1000:



Tool plug TP-M12:



Tool plug TPO-01:

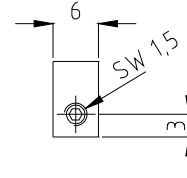
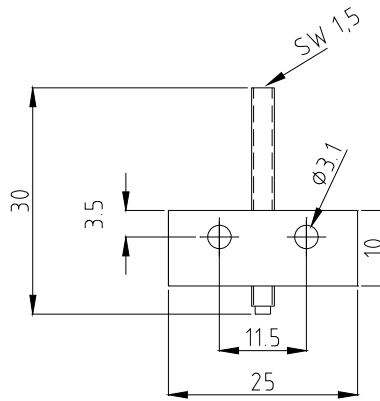
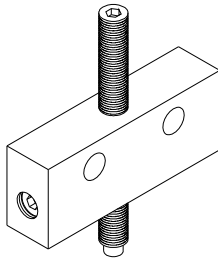


(All dimensions in mm)



Accessories

Jam plate JP-3:
(please order separately).



(All dimensions in mm)