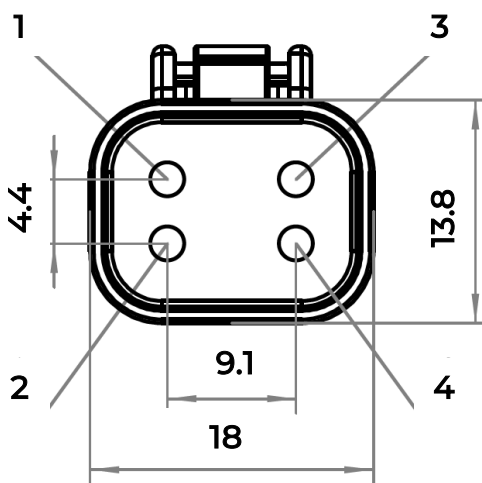
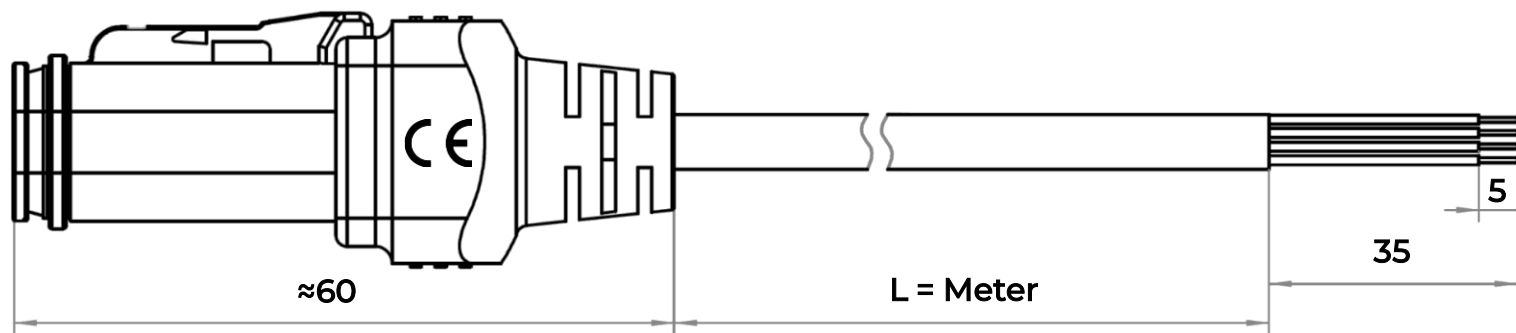


DT06-4P with Unshielded Overmolded PVC Cable

Technical Parameters



Material	PVC (Unshielded)
Connector Color	Black
Number of Contacts	4 poles
IP Rating	IP67
Rated Voltage	250V
Rated Current	13A
Number of Conductors	4
Conductors Size	20 AWG / 0.5mm ²
Cable Length	See Ordering Chart
Cable Jacket	Stripped back 35mm
Conductor Ends	Stripped back 5mm and tinned
Pinout	1: Brown 2: White 3: Blue 4: Black



DT06-4P Unshielded PVC Cable

Cable Length (L)	Paquin Part #
1 Meter	PSE133
3 Meter	PSE134
5 Meter	PSE135
7.5 Meter	PSE136
10 Meter	PSE137
20 Meter	PSE138