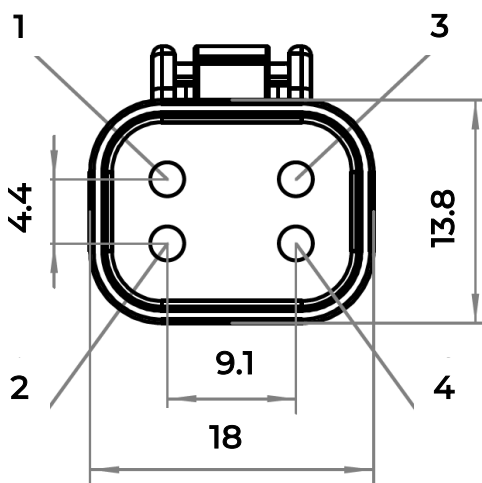
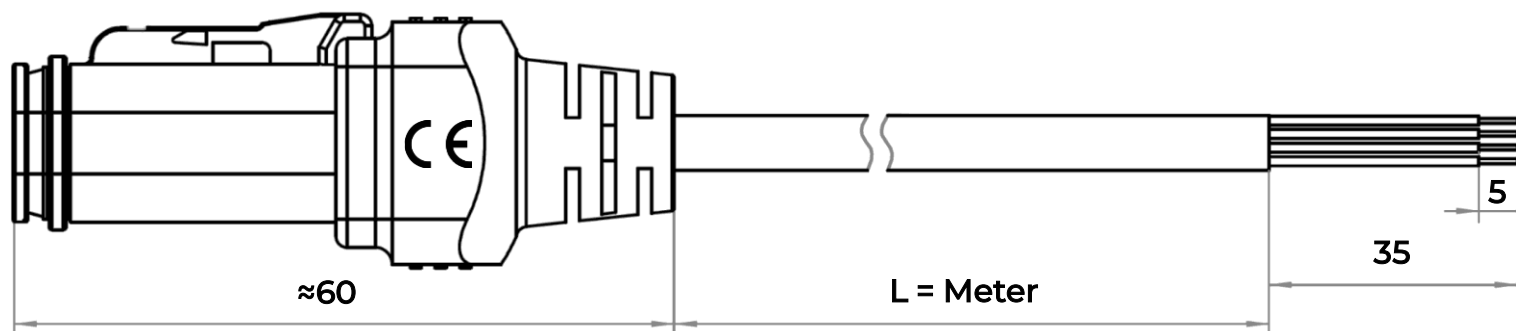


DT06-4P with Shielded Overmolded PUR Cable

Technical Parameters



Material	Polyurethane (Shielded)
Connector Color	Black
Number of Contacts	4 poles
IP Rating	IP67
Rated Voltage	250V
Rated Current	13A
Number of Conductors	4
Conductors Size	20 AWG / 0.5mm ²
Cable Length	See Ordering Chart
Cable Jacket	Stripped back 35mm
Conductor Ends	Stripped back 5mm and tinned
Pinout	1: Brown 2: White 3: Blue 4: Black



DT06-4P Shielded PUR Cable

Cable Length (L)	Paquin Part #
1 Meter	PSE194
3 Meter	PSE195
5 Meter	PSE196
7.5 Meter	PSE197
10 Meter	PSE198
20 Meter	PSE199