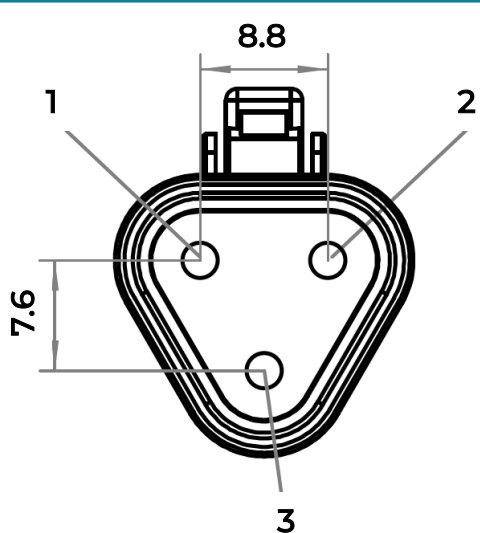
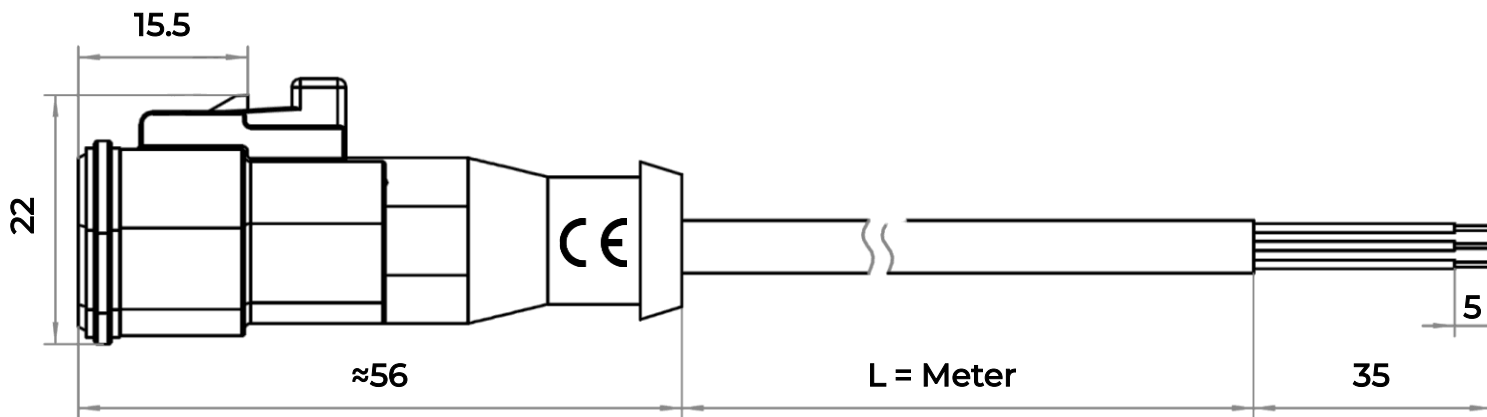


# DT06-3P with Unshielded Overmolded PVC Cable

## Technical Parameters



<b>Material</b>	PVC (Unshielded)
<b>Connector Color</b>	Black
<b>Number of Contacts</b>	3 poles
<b>IP Rating</b>	IP67
<b>Rated Voltage</b>	250V
<b>Rated Current</b>	13A
<b>Number of Conductors</b>	3
<b>Conductors Size</b>	20 AWG / 0.5mm <sup>2</sup>
<b>Cable Length</b>	See Ordering Chart
<b>Cable Jacket</b>	Stripped back 35mm
<b>Conductor Ends</b>	Stripped back 5mm and tinned
<b>Pinout</b>	1: Brown 2: Blue 3: Black



### DT06-3P Unshielded PVC Cable

Cable Length (L)	Paquin Part #
1 Meter	PSE127
3 Meter	PSE128
5 Meter	PSE129
7.5 Meter	PSE130
10 Meter	PSE131
20 Meter	PSE132