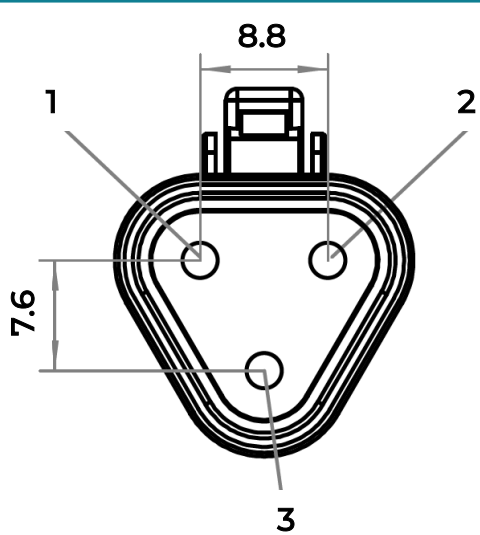
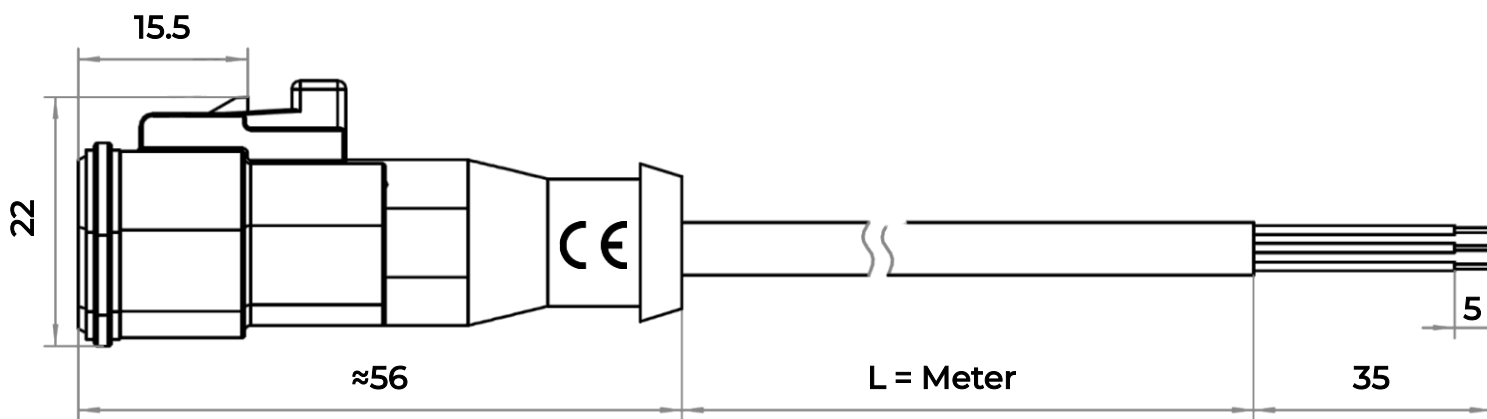


DT06-3P with Shielded Overmolded PUR Cable

Technical Parameters



Material	Polyurethane (Shielded)
Connector Color	Black
Number of Contacts	3 poles
IP Rating	IP67
Rated Voltage	250V
Rated Current	13A
Number of Conductors	3
Conductors Size	20 AWG / 0.5mm ²
Cable Length	See Ordering Chart
Cable Jacket	Stripped back 35mm
Conductor Ends	Stripped back 5mm and tinned
Pinout	1: Brown 2: Blue 3: Black



DT06-3P Shielded PUR Cable	
Cable Length (L)	Paquin Part #
1 Meter	PSE188
3 Meter	PSE189
5 Meter	PSE190
7.5 Meter	PSE191
10 Meter	PSE192
20 Meter	PSE193