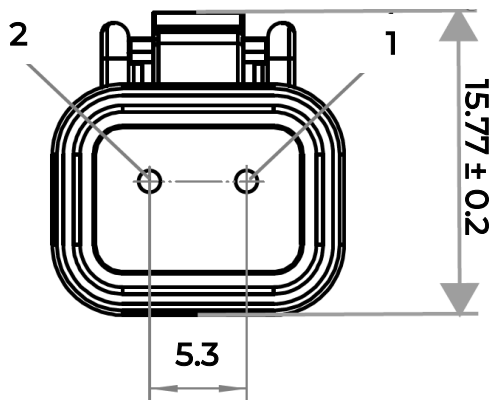
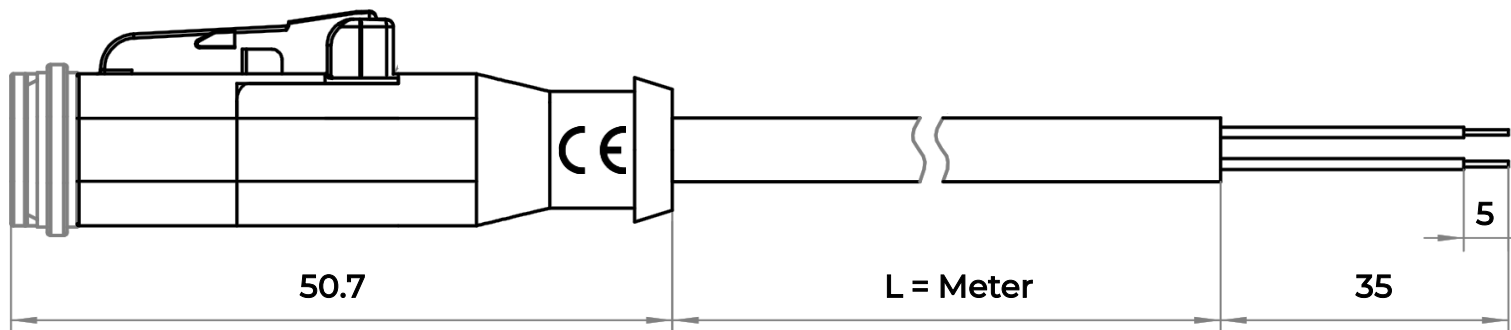


DT06-2P with Unshielded Overmolded PVC Cable

Technical Parameters



Material	PVC (Unshielded)
Connector Color	Black
Number of Contacts	2 poles
IP Rating	IP67
Rated Voltage	250V
Rated Current	13A
Number of Conductors	2
Conductors Size	20 AWG / 0.5mm ²
Cable Length	See Ordering Chart
Cable Jacket	Stripped back 35mm
Conductor Ends	Stripped back 5mm and tinned
Pinout	1: Red 2: Black



DT06-2P Unshielded PVC Cable

Cable Length (L)	Paquin Part #
1 Meter	PSE121
3 Meter	PSE122
5 Meter	PSE123
7.5 Meter	PSE124
10 Meter	PSE125
20 Meter	PSE126