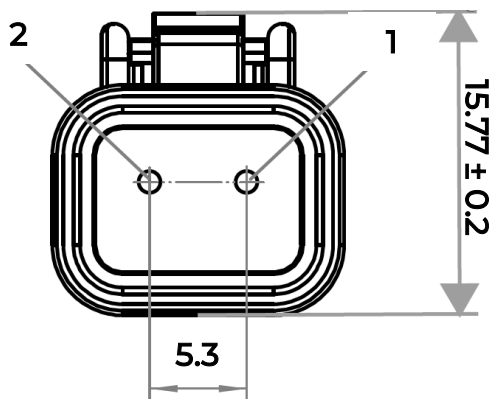
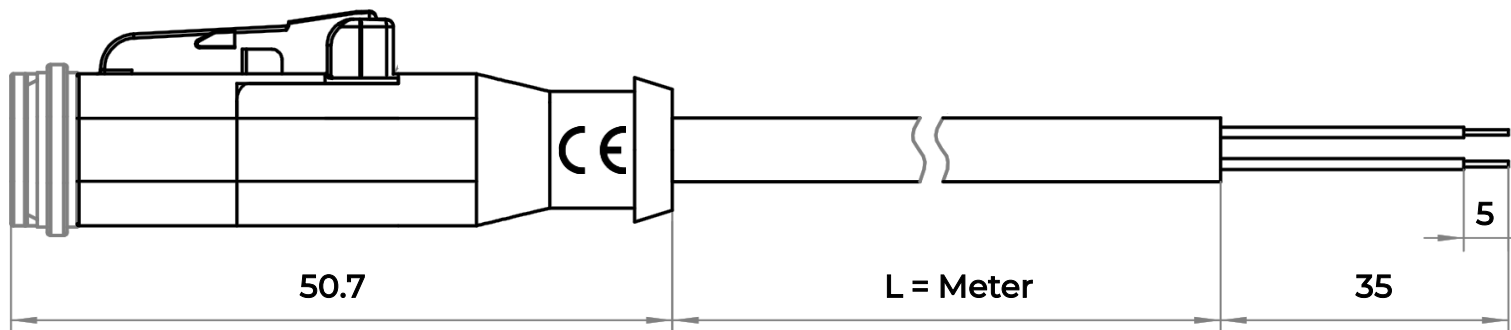


# DT06-2P with Shielded Overmolded PUR Cable

## Technical Parameters



<b>Material</b>	Polyurethane (Shielded)
<b>Connector Color</b>	Black
<b>Number of Contacts</b>	2 poles
<b>IP Rating</b>	IP67
<b>Rated Voltage</b>	250V
<b>Rated Current</b>	13A
<b>Number of Conductors</b>	2
<b>Conductors Size</b>	20 AWG / 0.5mm <sup>2</sup>
<b>Cable Length</b>	See Ordering Chart
<b>Cable Jacket</b>	Stripped back 35mm
<b>Conductor Ends</b>	Stripped back 5mm and tinned
<b>Pinout</b>	1: Red 2: Black



### DT06-2P Shielded PUR Cable

Cable Length (L)	Paquin Part #
1 Meter	PSE182
3 Meter	PSE183
5 Meter	PSE184
7.5 Meter	PSE185
10 Meter	PSE186
20 Meter	PSE187