

## Diaphragm Differential Switch

Series DPD1T, DPD2T

### Features

- ▶ High reliability
- ▶ Dual switching capability
- ▶ High accuracy
- ▶ Tamper-proof external adjustment
- ▶ NEMA 4

### Applications

- ▶ Pump & compressor monitoring
- ▶ HVAC systems
- ▶ Engine monitoring
- ▶ Machine tools
- ▶ Hydraulic power units
- ▶ Filtration systems
- ▶ Metal working
- ▶ Utility & power generation



### General Specifications\*

Electrical Characteristics:	All models incorporate Underwriters Laboratories, Inc. and CSA Listed single pole double throw snap-action switching elements.
Accuracy:	± 0.5% of the adjustable range
Switch Type:	SPDT snap action; single or dual circuit
Rating:	10 amps @ 125/250 VAC; 3 amps @ 480 VAC (Class A or H limit switch). Consult product configurator for ratings of optional limit switches.
Wetted Parts: Diaphragm:	17-7 PH stainless steel
Seals:	Viton®
Enclosure:	Die-cast aluminum anodized
Other Parts:	Nickel plated aluminum 300 series stainless steel
Electrical Connection:	Screw terminals on covered terminal strip through 1/2" NPT conduit fitting
Enclosure Ratings:	NEMA 4
Pressure Connection:	1/8" NPT female high + low

\* See product configurator for additional options.

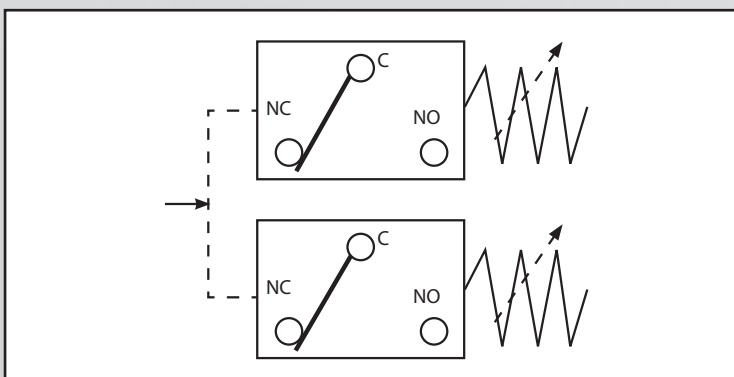
### Wiring Code

Lead	Circuit #1		Circuit #2	
	Pressure	Vacuum	Pressure	Vacuum
Normally Closed	Blue	Red	Orange	Yellow
Common	Purple	Purple	Brown	Brown
Normally Open	Red	Blue	Yellow	Orange

Approvals/Listings: PED (European):	Compliant to PED 97/23/EC
Temperature Range: Operating:	-65°F to +165°F (-54°C to +74°C)
Adjustment Instructions: Pressure:	Turn adjustment screw clockwise to decrease pressure difference; counterclockwise to increase pressure difference
Vacuum Differential:	Turn adjustment screw counterclockwise to decrease vacuum difference; clockwise to increase vacuum difference
Options:	-Factory pre-set -NEMA 4X enclosure
Shipping Weight:	Single & dual - approximate 3.50 lbs.

### Wiring Diagram

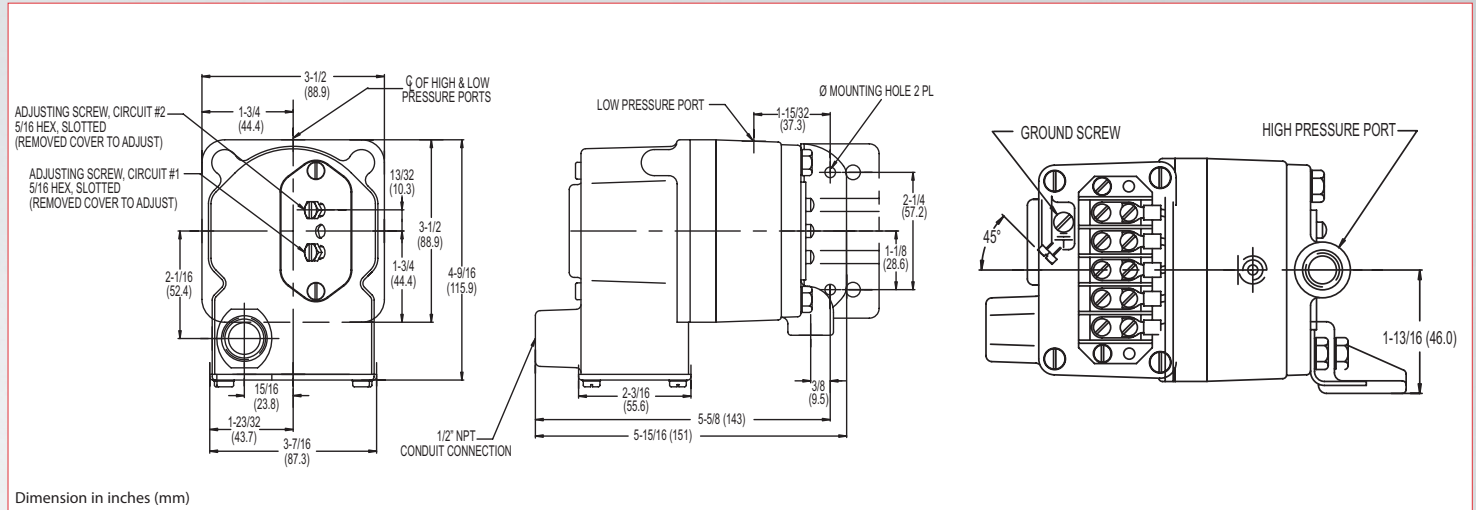
(contact status at atmospheric pressure)



**Barksdale®**  
CONTROL PRODUCTS

Barksdale, Inc./Barksdale GmbH  
A Subsidiary of Crane Co.

## Technical Drawing



## Product Configurator

Example      DPD1T    -A    3SS

\* Highlighted options represent those most frequently used. Select these common options for improved availability. (5/21)

**H** Hermetically sealed limit switch option - Class I, Division II (requires AA, CC or HH limit switch)

### Base Configuration

- DPD1T** Single setpoint housed
- DPD2T** Dual setpoint housed

### Limit Switch<sup>1</sup>

- A<sup>5</sup>** 10 amps @ 125/250 VAC; 3 amps @ 480 VAC; (standard for pressure range 3SS, 80SS or 150SS)
- H** 10 amps @ 125/250 VAC; 3 amps @ 480 VAC; (standard for pressure range 185S)
- M** 10 amps @ 125/250 VAC; 3 amps @ 480 VAC; 0.5 amps @ 125 VDC; 0.25 amps @ 250 VDC
- GH** 1 amp @ 125 VAC; with gold contacts
- HH** Hermetically sealed; 5 amps @ 125/250 VAC (not available on vacuum models)

### Options

- FX** NEMA 4X enclosure
- L6** 6-contact terminal block (DPD2T only)
- CS** CSA approved
- Sxxx** Factory preset (consult factory)

### Adjustable Range

Working Range	Adjustable Range (PRESSURE) <sup>3</sup>				Approx. Deadband <sup>2</sup> (Actuation Value)	Max. Diff. Pressure (Proof)	
	Decreasing - psi (bar)		Increasing - psi (bar)				
	psi (bar)	Min	Max	Min			Max
<b>3SS</b>	.03-10	.03 (.00)	2.76 (.2)	.27 (.02)	3 (.2)	.09 - .24 (.01 - .02)	10 (.7)
<b>185S</b>	.4-60	.4 (.03)	17.68 (1.2)	.72 (.05)	18 (1.2)	.18 - .32 (.01 - .02)	60 (4.1)
<b>80SS</b>	.5-160	.5 (.03)	75.3 (5.2)	5.2 (.4)	80 (5.4)	2.2 - 4.7 (.1 - .3)	160 (10.9)
<b>150SS</b>	1.5-300	1.5 (.10)	141.3 (9.7)	10.2 (.7)	150 (10.2)	3.5 - 8.7 (.2 - .6)	300 (20.4)

Working Range	Adjustable Range (VACUUM) <sup>4</sup>				Approx. Deadband <sup>2</sup> (Actuation Value)	Max. Diff. Pressure (Proof)	
	Decreasing (In. Hg)		Increasing (In. Hg)				
	In. Hg	Min	Max	Min			Max
<b>3SS</b>	.06-20	0.06	5.49	0.57	6	.17 - .51	20
<b>185S</b>	.8-30	0.8	29	1.8	30	.44 - 1.00	30

### NOTES:

- Consult supplementary guide for specific deadband values
- Deadband values indicated when used with the "standard" limit switch
- Working range may be extended to 400 psi provided the maximum differential pressure (proof) is not exceeded
- Working range may be extended to 30 in.Hg provided the maximum differential pressure (proof) is not exceeded
- A limit switch not available with UL/CSA