

## Pressure transmitter PASCAL CV with threaded connection Type series CV310.

In Proud Partnership with Labom

# PAQUIN SENSORS

For technical support, sales, & distribution  
within the USA & Canada

www.paquin.com | (800) 831-8217 | paquinsensors@paquin.com



### Features

- Modular pressure transmitter with internal or flush mounted diaphragm  
Output signal:
  - 4...20 mA
  - HART® protocol (rev. 6), option
  - PROFIBUS PA, option
- Function modules
  - Multifunctional display with 5-segment digital display and bar graph
  - Switching module with 2 flating channels, maximum 0.5 A switching current, electrically isolated at all sides, without additional auxiliary power
- Function module replacement on site without recalibration "plug and measure"
- Limits of measuring range 0...80 mbar to 0...400 bar
- Accuracy  $\leq 0,15\%$
- Turndown 5:1
- Degree of protection IP 66, piezoresistive measuring cell directly aerated

### Options

- Gold coating of sensor diaphragm (thickness 6  $\mu\text{m}$ )
- Approvals/Certificates
  - Explosion protection (ATEX/IECEX/UKEX) for gases and dust
  - Material certificate as per EN 10204-3.1
  - Calibration certificate as per EN 10204-3.1
  - Certificate for hydrogen resistance per EN 10204-3.1
  - Classification per SIL2
- As per UKCA regulations
- Degree of protection IP 69K

### Application

The modular pressure transmitter PASCAL CV is suited for measuring the relative and absolute pressures of gases, vapors and liquids.

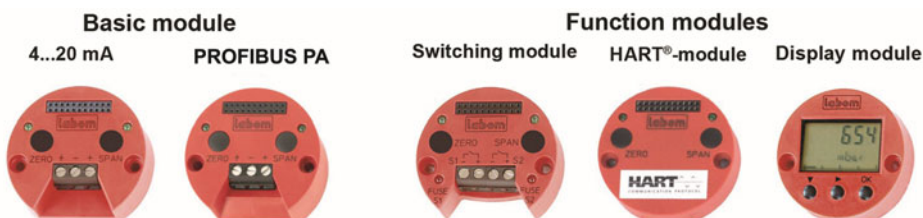
Especially for use in hydrogen applications a calculation tool is available with which the suitable sensor diaphragm material (with/without gold plating) can be determined on the basis of the available process data.



### Application area

- Chemical and petrochemical industry
- General process engineering
- General process technology

### PASCAL CV – the modular pressure transmitter



## Technical data

### Measuring ranges

Up to a turndown of 5:1 the measuring span can be freely selected.

Nominal range	Measuring span		Overload capacity	Lower measuring range limit ***
	min.	max.		
0...0,4 bar *	80 mbar	0,8 bar	1 bar rel.	600 mbar abs
0...1 bar *	0,2 bar	2 bar	3 bar rel.	100 mbar abs
0...4 bar rel. *	0,8 bar	5 bar	10 bar rel.	100 mbar abs
0...16 bar rel. *	3,2 bar	17 bar	60 bar rel.	100 mbar abs
0...40 bar rel. *	8 bar	41 bar	100 bar rel.	100 mbar abs
0...100 bar rel.	20 bar	101 bar	200 bar rel.	0 mbar abs
0...400 bar rel.	80 bar	401 bar	750 bar rel.	0 mbar abs
0...4 bar abs	0,8 bar abs.	4 bar abs.	10 bar abs.	30 mbar abs
0...16 bar abs	3,2 bar abs.	16 bar abs.	60 bar abs.	30 mbar abs

\* Short term or sporadic measurement in vacuum permitted up to lower measuring limit. Lower range value up to -1 bar rel. adjustable.

\*\* High overload-proof design upon request

\*\*\* Vacuum-proof designs are available upon request.



### Constructional design / case

**Design:** Two-chamber case design with screw cap.

Minimum case volume, excellent moisture and condensate protection

**Material:** Stainless steel mat.-no. 1.4301 (304)

**Degree of protection:** per EN 60529

- IP 66
- optional: IP 69K

**Climatic category:** 4K4H per EN 60721 3-4

**Pressure compensation:** PTFE filter system

**Window:** Non splintering plastic: Makrolon

**El. connection:** Screw terminal 1 mm<sup>2</sup>

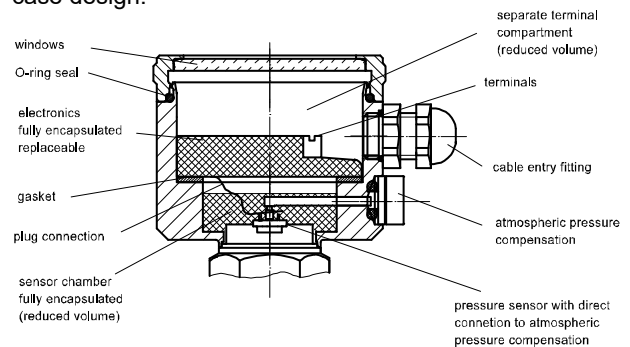
**Cable gland:**

- Cable gland M16, material: PA
- Circular connector M12

Further details see order code and upon request.

**Weight:** standard device with G1/2 without function modules approx. 0.65 kg

### case design:



### Process connection

Variants / material: See order code

### Material wetted parts

Sensor:	Piezoresistive	Thin film
Sensor diaphragm:	1.4404/1.4435 (316L) optional: gold-coated (6 µm)	1.4542 (630)
Socket:	1.4404/1.4435 (316L)	1.4301/1.4404 (304/316L)
Gasket:	EPDM-FDA listed	

### Measuring system

Sensor:	Piezoresistive	Thin film
Sensor filling:	Synthetic oil, free of silicone FD1, FDA listed	Without

## Measuring accuracy

### General:

Limit point setting:	per DIN 16086
Reference conditions:	per EN 60770-1
Linearity errors:	≤ 0.15 % of span TD 5:1 no modification
Hysteresis:	≤ 0.05 % of nominal range
Repeatability:	≤ 0.05 % of nominal range
Calibration position:	Vertical mounting position
Influence of mounting position:	≤ 3.5 mbar
Long-term drift: (EN 60770-1)	≤ 0.1 % / year of nominal range
Temperature influence case:	Lower range value / upper range value Range 0...60 °C: ± 0.15 % / 10K of nominal range Range < 0 °C, > 60 °C: ± 0.2 % / 10K of nominal range

## Output

### General:

Delay time:	approx. 160 ms
Measuring cycle:	6 measurements / second
Measuring range setting:	Turndown 5:1

### Basic module: 4...20 mA

Signal:	4...20 mA, 2-wire
Current range:	3.8...20.8 mA
Current limitation:	approx. 22 mA
Alarm state:	< 3.6 mA, optional > 21 mA
Damping:	0...120 seconds
Load R:	$R \leq (U-12V \text{ DC})/0.022 \text{ A } [\Omega]$ U = supply voltage

### Basic module: PROFIBUS PA

Signal:	digital per IEC 61158-2
Protocol:	EN 50170-PROFIBUS PA, Profile 3.0
Sensor address:	0...126 (126 = factory setting)
Power consumption:	constantly 11 mA
Alarm current I <sub>FDE</sub> :	2 mA
Damping:	0...300 seconds
Parameterisation:	SIMATIC PDM

## Supply voltage

Basic module:	4...20 mA	PROFIBUS PA
<u>Standard design:</u>		
Functional range:	12...40 V DC	9...32 V DC
<u>Ex-design:</u>		
Functional range:	12...30 V DC	9...17.5 V DC

## Temperature ranges

Ambient:	-20...85 °C
Media:	-20...90 °C
Storage:	-40...85 °C

Note safety values as per examination certificate!

## Tests and certificates

Interference emission:	per EN 55011
Noise immunity:	per EN 61326-1 *, NAMUR NE21 *

\* Devices with cable gland or switching outputs might suffer from a short-time measuring deviation if exposed to strong electromagnetic fields (EN 61000-4-3).

## Ex approvals

ATEX:	TÜV 04 ATEX 2387 X ⊕ II 1/2G Ex ia IIC T4/T5/T6 Ga/Gb ⊕ II 2G Ex ia IIC T4/T5/T6 Gb ⊕ II 2D Ex ia IIIC Txx °C Db
UKEX:	CML 21UKEX21176X ⊕ II 1/2G Ex ia IIC T4/T5/T6 Ga/Gb ⊕ II 2G Ex ia IIC T4/T5/T6 Gb ⊕ II 2D Ex ia IIIC Txx °C Db

For detailed information see Ex Safety Instruction XA\_015 and XA\_020.

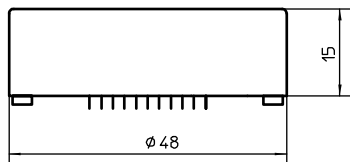
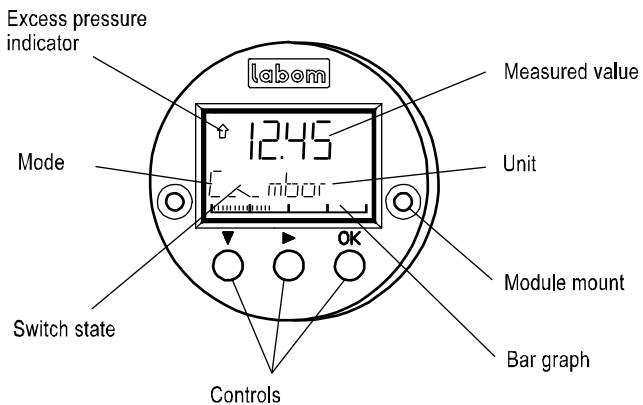
SIL2:	Functional safety per EN 61508, Classification per SIL2. For basic module 4...20 mA, switching module, display module and HART® module TÜV-Reg.-No. 44 799 13190201
-------	---

- Certificate for hydrogen resistance per EN 10204-3.1

## Function modules

### Display module (multifunctional display) optional

pluggable with automatic module detection - plug and measure -

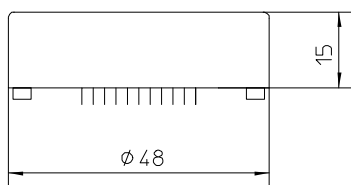
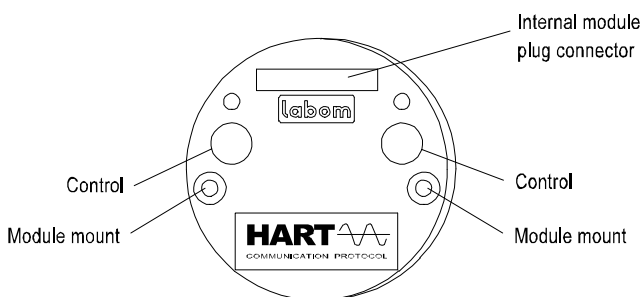


- Module housing made of ABS, encapsulated electronics unit
- Many operating mode menus
- 5-segment pressure read-out with unit
- Read-out display
  - pressure (standard)
  - percent \*
  - current \*
  - sensor temperature
- Bar graph 36 segment suitable 0...100 %
- Loop test (current sensing function) 3.55...22 mA \*
- Alarm indicator on display
- Switching function indicator\*

\* not with basic module PROFIBUS PA

Details of the operator menu see parameterisation.

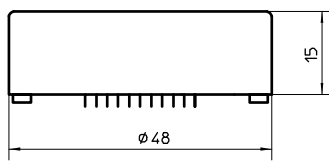
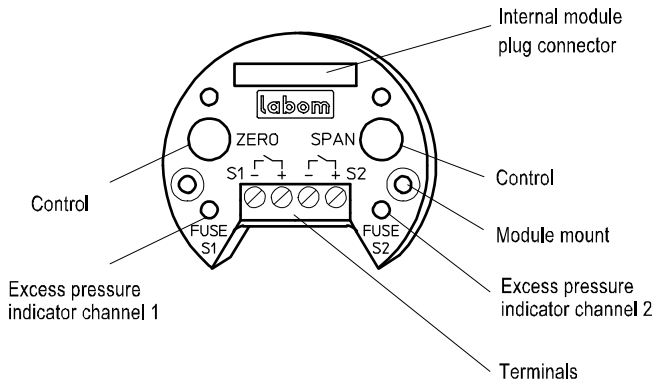
### HART® module (for basic module 4...20 mA) optional



- HART®-protocol, revision 6.5
- Response characteristic FSK
- Load with HART® communication
  - with Hart® modem 230...500 Ω
  - with Hart® communicator 230...1100 Ω
- Parameterisation via
  - operating elements
  - HART® communication
- PDM 6.0
- AMS
- 375 Field Communicator

## Switching module, (not with basic module PROFIBUS PA) optional

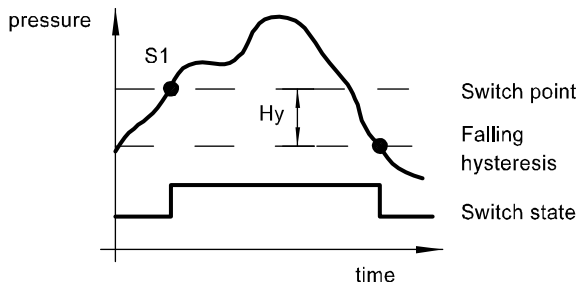
pluggable with automatic module detection - plug and measure -



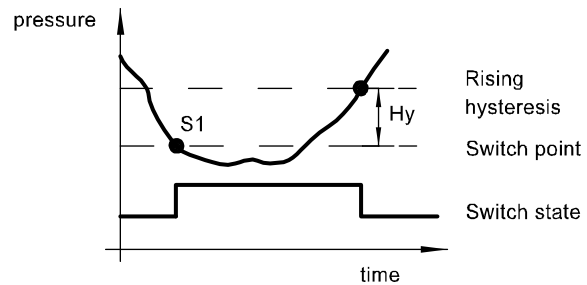
- No additional auxiliary power required
- Module housing made of ABS, encapsulated electronics unit
- Electronic switch for 2 limit values, voltage free, short-circuit-proof
- Switching capacity 30 V DC / 0.5 A ( $R_i < 0.3 \Omega$ )
- Indicator: red LED, indicates overload or short-circuit
- Cut-out fuse protects against overload / short-circuit with automatic reset
- Switch points: 0.0 - 100.0% adjustable, Standard: 50.0%
- Switching function: maker or breaker, adjustable, Standard: breaker
- Contact open when device switched off
- Hysteresis: 0.0...100 % adjustable, Standard 0.1 %
  - falling or rising, adjustable, standard: falling
- Switching rate: 6 Hz
- Electrically isolated to all sides, Insulation voltage: 500 V, 2.5 kV/2 sec.
- Electrical connection: terminal blocks 1 mm<sup>2</sup>

## Hysteresis functions

-falling hysteresis-



-rising hysteresis-



Description of switching module and HART® module upon request.

## Parameterisation

The module selected determines which parameters can be set

operating menus	display of display module	parameter		basic module: 4...20 mA				basic module: PROFIBUS PA		
		variability	standard	BM	SM	AM	HM PDM AMS 475	BM	AM	PDM
zero point *	RANGE/Zero	see instrument ranges	0 bar	x	x	x	x	-	-	x
measuring span *	RANGE/Span	see instrument ranges	nominal range	x	x	x	x	-	-	x
damping	DAMP	4...20 mA: 0...120 sec. Profibus: 0...300 sec.	0 sec.	w	-	x	x	-	-	x
min-max-value	HI/LO	pressure and temperature reset-table	-	-	-	x	x	-	x	x
characteristic	FUNC	linear, table	linear	w	-	x	x	-	-	x
pressure unit	UNIT	bar, mbar, kPa, MPa, mmH2O, mH2O, kg/cm2, PSI	bar	w	-	x	x	-	w	x
loop test	LOOP	3.55...22 mA	-	-	-	x	x	-	-	-
alarm state	ALARM	< 3.6 mA, > 21 mA	< 3.6 mA	w	-	x	x	-	-	-
current trimming	I-CAL	-2...5 %	-	-	-	x	x	-	-	-
pressure trimming	P-CAL	zero point: -50...50 % v.N span: -10...10 % v.N	-	-	-	x	x	x	x	x
table function	TABLE	2...31 points of table	0% = 4 mA 100% = 20 mA	w	-	x	x	-	-	-
system info	INFO	software, serial number, revision level	-	-	-	x	x	-	x	x
factory data reset	RESET	-	-	-	-	x	x	-	x	x
BUS adress	BUS	0...126	126	-	-	-	-	w	x	x
switch points	SWCH1(2)	0...100 % of nominal range	50 %	-	x	x	x	-	-	-
hysteresis	SWCH1(2)/Hyst.	0...100 % of nominal range	0,1 % hyster. falling	-	w	x	x	-	-	-
switch function	SWCH1(2)/SwTyp	breaker, maker	breaker	-	w	x	x	-	-	-
HART® address	HART/Adres	0...63	0	-	-	x	x	-	-	-
HART® current	HART/CUrr	fixed/float	float	-	-	x	x	-	-	-
write protection	-	ON/OFF	OFF	x	x	x	x	x	x	x

x = configurable

w = factor setting

\* = calibrated measuring span for devices with PROFIBUS PA basic module

DM = display module

BM = basic module

SM = switching module

HM = HART-module

PDM = Siemens Process Device Manager

AMS = Asset Management Solutions

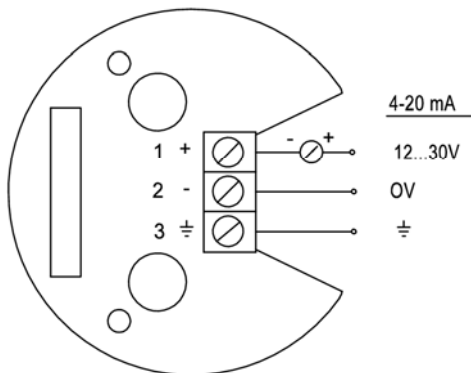
475 = Emerson Handheld Communicator

# Connection diagram

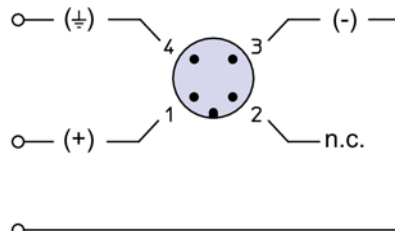
## Basic module: 4...20mA / PROFIBUS PA

Internal terminals with cable gland design

Circular connector <sup>1</sup>

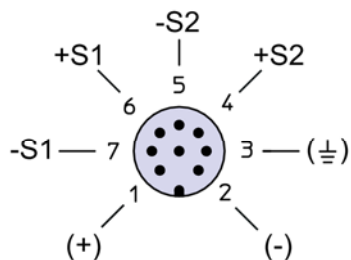
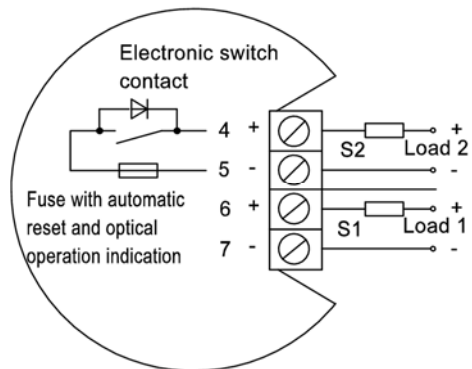


PROFIBUS PA  
9...32V  
OV  
⏏



## Switching module: (only with basic module 4...20 mA)

Circular connector <sup>1</sup>



(+) = white  
(-) = brown  
(±) = green  
(+S2) = yellow  
(-S2) = grey  
(+S1) = pink  
(-S1) = blue

<sup>1</sup> color code as Binder series 763

# Dimensions

## Housing

### housing design type 17

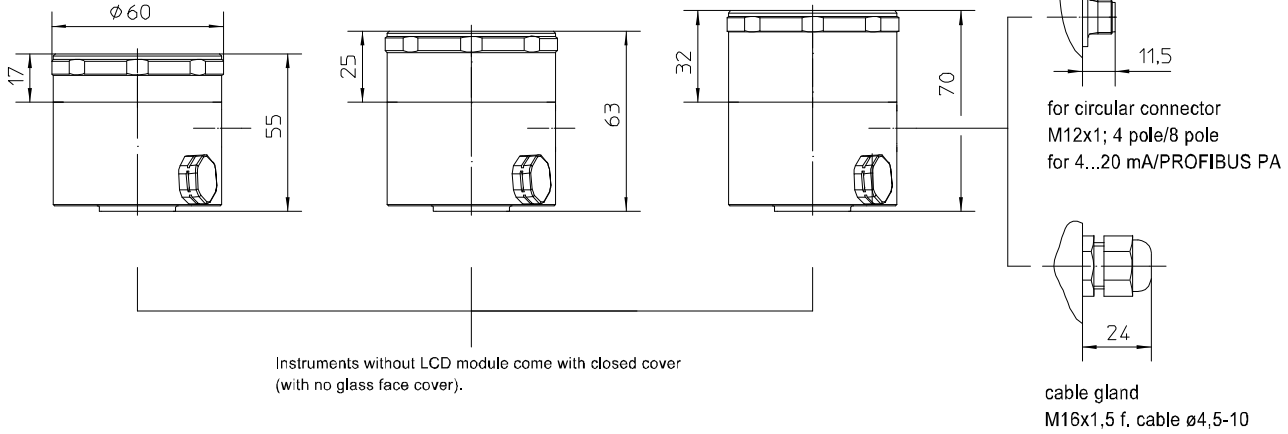
- basic module: 4...20 mA
- with one function module (optional)
- basic module: PROFIBUS PA

### housing design type 25

- basic module: PROFIBUS PA
- with display module (optional)

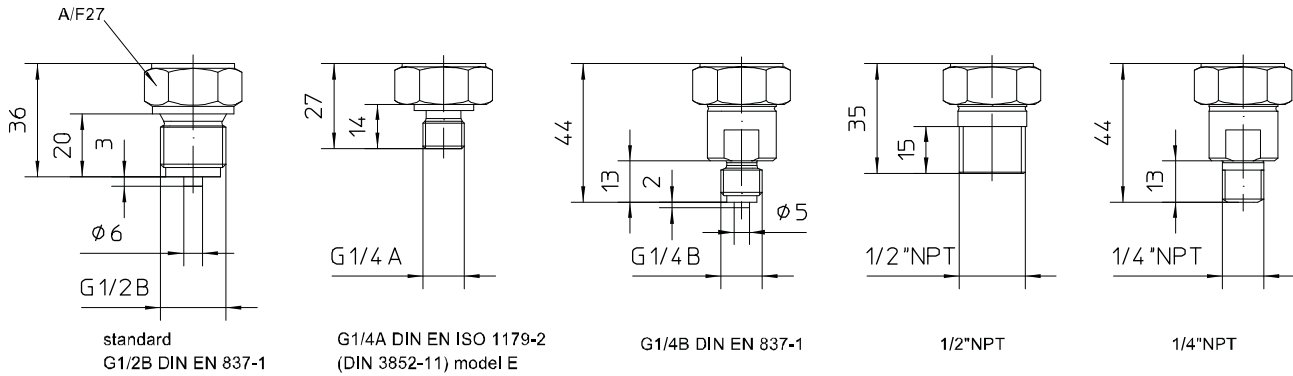
### housing design type 32

- basic module: 4...20 mA
- with two function modules (optional)



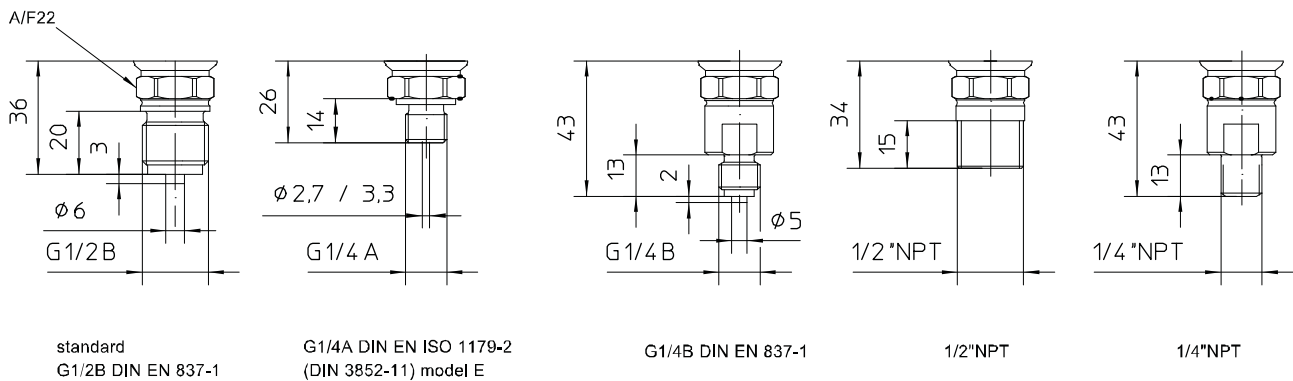
All dimensions are in mm

## Process connections piezoresistive, internal diaphragm



All dimensions are in mm

## Process connections thin film, internal diaphragm



All dimensions are in mm



## Order details

Pressure transmitter PASCAL CV with threaded connection					
CV310.	Pressure transmitter PASCAL CV with threaded connection				
0	design	standard			
1		Ex-protection, types of ex-protection as follows			
	nominal range	nominal range (Turndown 5:1)	overload limit	sensor type	
A1051		0,4 bar	1 bar	piezoresistive	
A1053		1 bar	3 bar		
A1056		4 bar	10 bar		
A1059		16 bar	60 bar		
A1061		40 bar	100 bar		
A1063		100 bar	200 bar		
A3066		400 bar	750 bar	thin film	
B1056		4 bar abs	10 bar	piezoresistive	
B1059		16 bar abs	60 bar		
F10	measuring range	0 to nominal range, unit: bar (standard)			
F11		0 to nominal range, unit: mbar			
F22		0 to nominal range, unit: kPa			
F23		0 to nominal range, unit: MPa			
F30		0 to nominal range, unit: mmH2O			
F32		0 to nominal range, unit: mH2O			
F41		0 to nominal range, unit: kg/cm <sup>2</sup>			
F50		0 to nominal range, unit: PSI			
F80		set from... to... unit ( please fill in details ) not with PROIBUS PA			
F81		adjusted and calibrated from .... to ....., unit (please fill in details), see below for calibration report			
H11	output signal	4...20 mA, rising characteristic (standard)			
H15		20...4 mA, falling characteristic			
H21		4...20 mA with HART® function module, HART® protocol rev. 6			
0		setting <sup>1</sup>	damping	0.0 sec. (standard)	
1				0.0...120 sec., set to .... ( please fill in	
0		alarm state		< 3.6 mA (standard)	
1				> 21 mA	
H41		Profibus PA, IEC 61158-2, Profil 3.0			
M1		display module	without		
M2			multifunctional display with 5-position digital display and bar graph, pluggable		
N10	switching module <sup>2,3</sup>	without switching module			
N5.		switching module with 2 contacts, pluggable, switching capacity 30 V DC / 0.5 A			
0		setting <sup>1</sup>	standard		
1			at the factory, specify as required		
T30	electrical connection	circular connector	M12x1 (4 pin)		
T31			M12x1 (8 pin - required for switching module)		
T20		cable gland M16x1,5	polyamide black		
T21			brass nickel-plated		
T22			stainless steel		
K1002			process connection	internal diaphragm	G1/4 B per EN 837-1
K1010	G1/2 B per EN 837-1				
K1024	G1/4 A per DIN EN ISO 1179-2 (DIN 3852-11) Form E				
K1070	1/2" NPT				
K1072	1/4" NPT				

Additional features (to be indicated if required)			
<b>J304</b>	Coating <sup>4</sup>		
<b>S68</b>	Ex-marking <sup>2</sup>	ATEX	⊕ II 2G Ex ia IIC T4/T5/T6 Gb, ⊕ II 2D Ex ia IIIC Txx°C Db
<b>S66</b>			⊕ II 1/2G Ex ia IIC T4/T5/T6 Ga/Gb
<b>S88</b>		UKEX	⊕ II 2G Ex ia IIC T4/T5/T6 Gb, ⊕ II 2D Ex ia IIIC Txx°C Db
<b>S86</b>			⊕ II 1/2G Ex ia IIC T4/T5/T6 Ga/Gb
<b>T4</b>	degree of protection	IP 69K	
<b>Z61</b>	PROFIBUS PA	factory setting, please specify	
<b>Z62</b>		measuring-point number/identification max. 32 characters, please specify	
<b>Z63</b>		measuring-point text max. 32 characters, please specify	
<b>W1020</b>	material certificate	per EN 10204-3.1, wetted part <sup>5</sup>	
<b>W1201</b>	calibration certificate	per EN 10204-3.1, 5 measuring point	
<b>W1251</b>	certificate	per EN 10204-3.1, for hydrogen applications	
<b>W2602</b>	functional safety per EN 61508, classification per SIL2 <sup>3</sup>		
<b>W2660</b>	as per UKCA regulations		
accessories			
<b>MC1000-A1</b>	stainless steel welded socket G1/2"		

Order code (example): CV3100 – A1051 – F10 – H1100 – M2 – N10 – ...

<sup>1</sup> see parameterization

<sup>2</sup> Ex-design not possible with switching module

<sup>3</sup> not with PROFIBUS PA

<sup>4</sup> possible for piezoresistive nominal ranges up to 100 bar only

<sup>5</sup> only for piezoresistive measuring systems