

In Proud Partnership with Sensor Instruments

**PAQUIN**  
SENSORS

For technical support, sales, & distribution  
within the USA & Canada

www.paquin.com | (800) 831-8217 | paquinsensors@paquin.com

# D-LAS Series

## ▶ D-LAS1-LC-...

- Visible laser beam (<0.4 mW, 670 nm), **laser class 1**
- Transmitter with round aperture Ø 1 mm
- Receiver with plan-convex lens
- Big working range (up to 8 m)
- High reproducibility (in µm range)
- High switching frequency (5 kHz)
- Analog output 0V...+10V
- Switching output (npn or pnp)
- Optics cover made of glass
- Sturdy metal housing (brass, nickel-plated), IP67
- Compact design (M18)



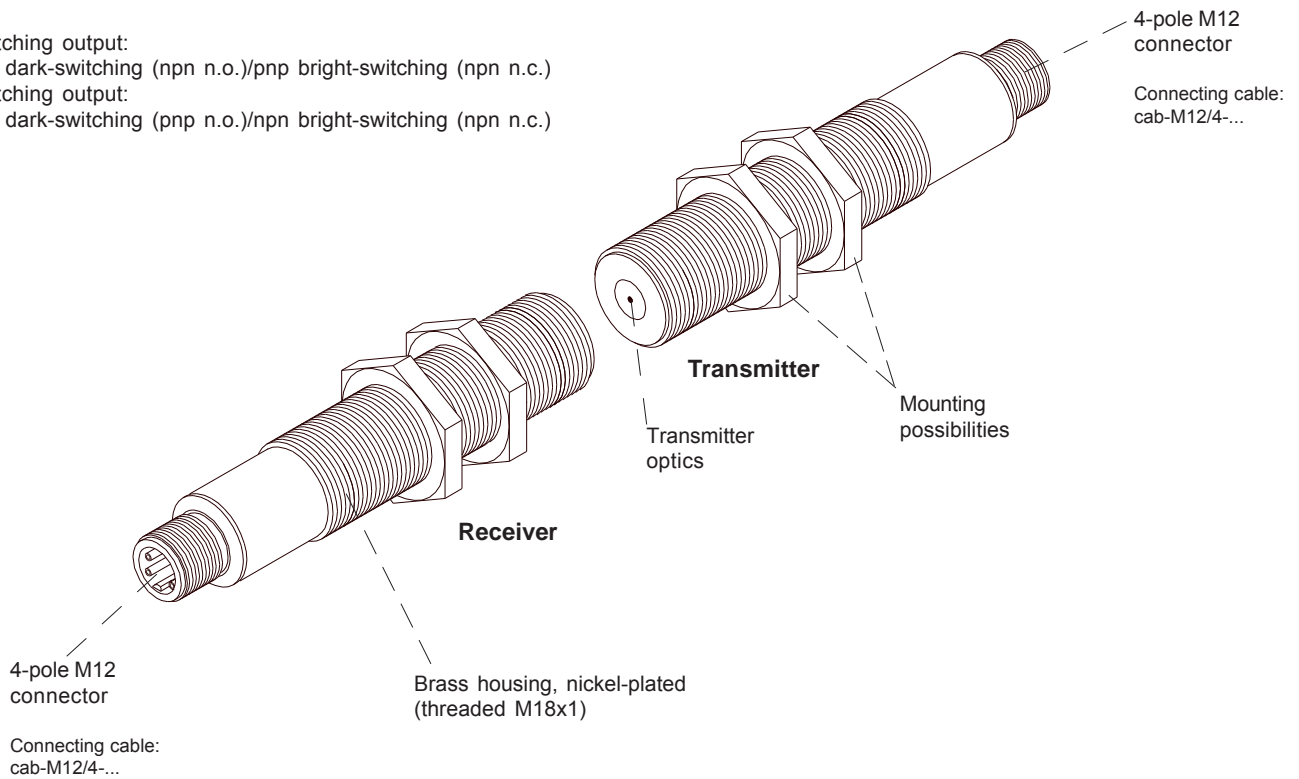
**Design**

### Product name:

**Transmitter:** D-LAS1-LC-T

**Receiver:** D-LAS1-LC-Q-R  
D-LAS1-LC-Qinv-R

- Q = Switching output:  
npn dark-switching (npn n.o.)/pnp bright-switching (npn n.c.)
- Qinv = Switching output:  
pnp dark-switching (pnp n.o.)/npn bright-switching (npn n.c.)

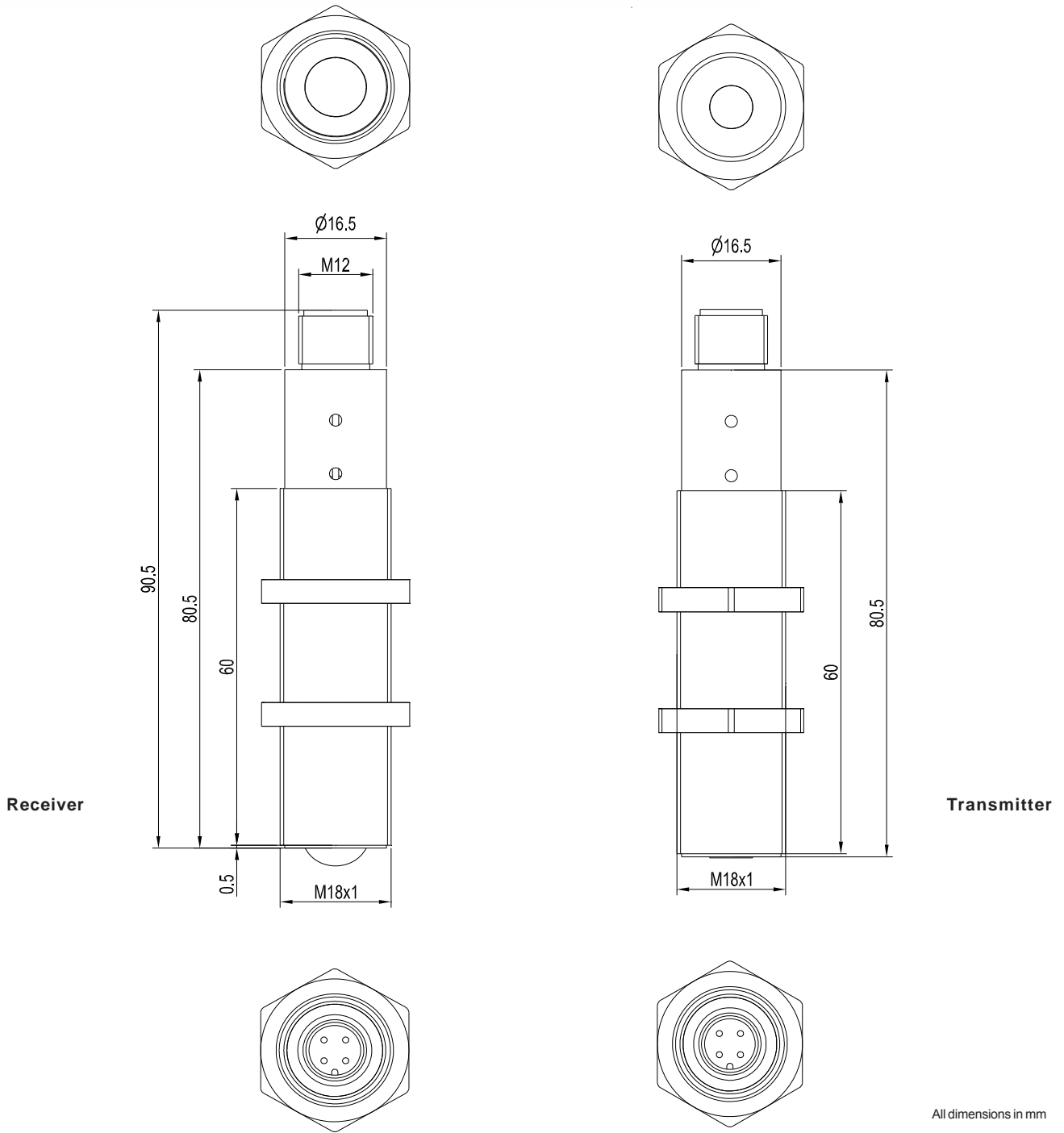




**Technical Data**

Type	D-LAS1-LC
Laser	Solid state laser, 670 nm, AC operation, <0.4 mW opt. power, laser class 1 acc. to DIN EN 60825-1. The use of these laser transmitters therefore requires no additional protective measures.
Working range	max. 8 m (distance transmitter/receiver)
Min. detectable object	With aperture size up to 5 mm: Analog typ. 2% of aperture size, digital typ. 1% of aperture size
Reproducibility	With aperture size up to 5 mm: Analog typ. 2% of aperture size, digital typ. 1% of aperture size
Optical filter	---
Threshold correction	---
Dynamic output	---
Voltage supply	+24VDC (± 10%), reverse-polarity protection, overload protection
Alternating current/ direct current supply	AC operation (45 kHz)
Ambient light	up to 5000 Lux
Current consumption	Transmitter: 80 mA      Receiver: 30 mA
Aperture size	Round aperture: Ø 1.0 mm
Current control input I-CONTROL	0V...+5V: Laser power decreases linearly with increasing voltage +5V...+24V: Laser OFF
Monitor output	Analog output 0V...+10V
Enclosure rating	IP67
Operating temperature range	-20°C ... +50°C
Storage temperature range	-20°C ... +85°C
Housing material	Brass, nickel-plated
Housing dimensions	Transmitter respectively receiver: M18x1, length approx. 90 mm (incl. M12 connector)
Connector type	4-pole M12-connector
Max. switching current	100 mA, short-circuit-proof
EMC test acc. to	DIN EN 60947-5-2
Switching frequency	typ. 5 kHz

Dimensions



Laser Information

The laser transmitters of D-LAS series comply with laser class 1 according to EN 60825-1. Under reasonably foreseeable conditions a class 1 laser is safe. The reasonably foreseeable conditions are kept during specified normal operation. The use of these laser transmitters therefore requires no additional protective measures.

The laser transmitters of D-LAS series are supplied with an information label „CLASS 1 Laser Product“.

**CLASS 1 Laser Product**  
IEC 60825-1: 2008-05  
THIS LASER PRODUCT COMPLIES  
WITH 21 CFR 1040 AS APPLICABLE



**Connector Assignment**

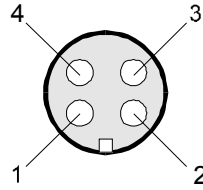
**Connector assignment:**

**Receiver**

(4-pin M12-plug, shielded)

**Type Q (npn dark-switching / npn bright-switching):**

Pin No.:	Color:	Assignment:
1	brn	+24VDC (± 10%)
2	wht	ANALOG (0V...+10V)
3	blu	GND (0V)
4	blk	OUTPUT



**Transmitter**

(4-pin M12-plug, shielded)

Pin No.:	Color:	Assignment:
1	brn	+24VDC (± 10%)
2	wht	I-CONTROL (0...+24V)
3	blu	GND (0V)
4	blk	Shield - Housing

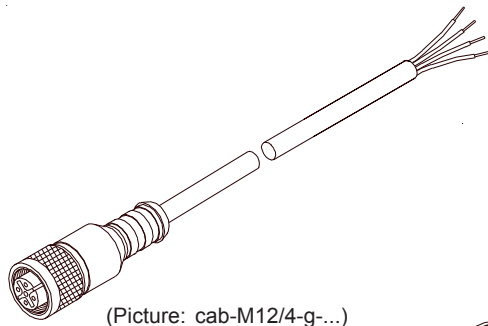
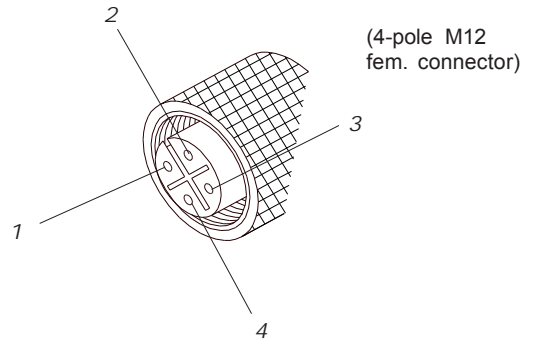
**Type Qinv (pnp dark-switching / npn bright-switching):**

Pin No.:	Color:	Assignment:
1	brn	+24VDC (± 10%)
2	wht	ANALOG (0V...+10V)
3	blu	GND (0V)
4	blk	OUTPUT INV

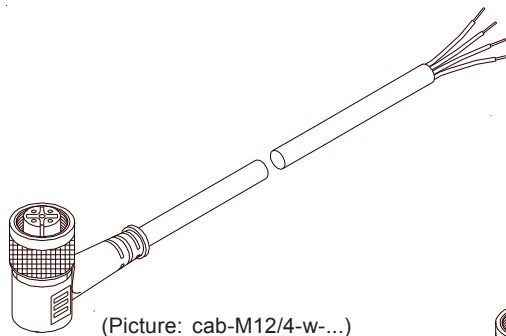
**Connecting Cables**

**Available connecting cables:**

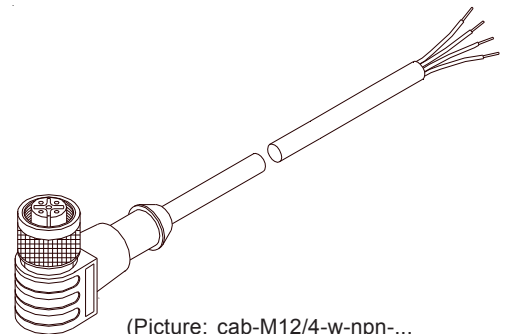
<b>cab-M12/4-g-2m</b>	Length: 2m	Outer jacket: PUR	
<b>cab-M12/4-g-5m</b>	Length: 5m	Outer jacket: PUR	
<b>cab-M12/4-w-2m</b>	Length: 2m	Outer jacket: PUR	angle type
<b>cab-M12/4-w-5m</b>	Length: 5m	Outer jacket: PUR	angle type
<b>cab-M12/4-w-npn-2m</b>	Length: 2m	Outer jacket: PUR	angle type, with LED
<b>cab-M12/4-w-npn-5m</b>	Length: 5m	Outer jacket: PUR	angle type, with LED
<b>cab-M12/4-w-pnp-2m</b>	Length: 2m	Outer jacket: PUR	angle type, with LED
<b>cab-M12/4-w-pnp-5m</b>	Length: 5m	Outer jacket: PUR	angle type, with LED



(Picture: cab-M12/4-g-...)



(Picture: cab-M12/4-w-...)



(Picture: cab-M12/4-w-npn-... or cab-M12/4-w-pnp-...)

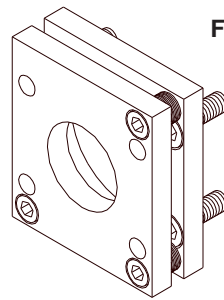


Accessories

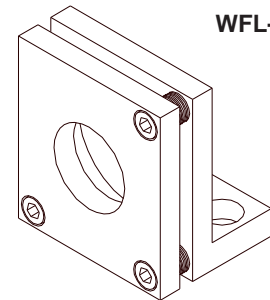
**Mounting flanges:**

(please order separately, cf. separate data sheets):

- FL-18** (plain flange)
- WFL-18** (angle flange)



**FL-18**

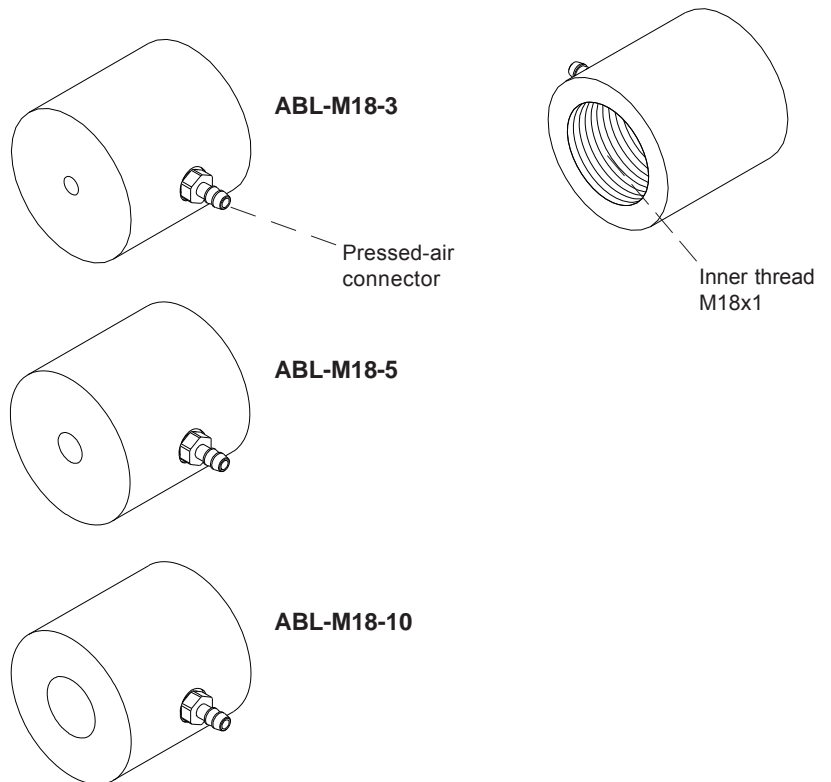


**WFL-18**

**Blast air top-parts:**

(please order separately, cf. separate data sheets):

- ABL-M18-3** (air outlet  $\varnothing$  3 mm)
- ABL-M18-5** (air outlet  $\varnothing$  5 mm)
- ABL-M18-10** (air outlet  $\varnothing$  10 mm)



**ABL-M18-3**

Pressed-air  
connector

Inner thread  
M18x1

**ABL-M18-5**

**ABL-M18-10**



**Characteristics**

**D-LAS Series - Laser Digital Light Barriers**

The laser digital light barriers of D-LAS Series work with visible parallel laser light. The use of round or rectangular apertures ensures a homogeneous light distribution in the laser beam. Smallest objects are detected even in case of a large transmitter/receiver distance. Dynamic correction of the switching threshold compensates the effect of dirt accumulation (with D-LAS1, D-LAS2, D-LAS34, D-LAS-34/90).

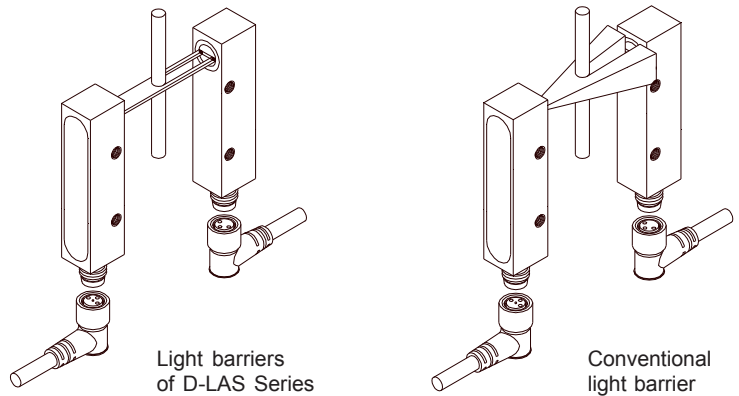
These light barriers are ideal for positioning tasks.

**Collimated laser beam**

The laser light beam that is emitted by a high-precision optics unit (aspherical surface made of glass) allows the detection of smallest objects (e.g. threads) even in case of a large transmitter/receiver distance (distances up to 100 m, depending on the light barrier type and aperture size).

Advantages:

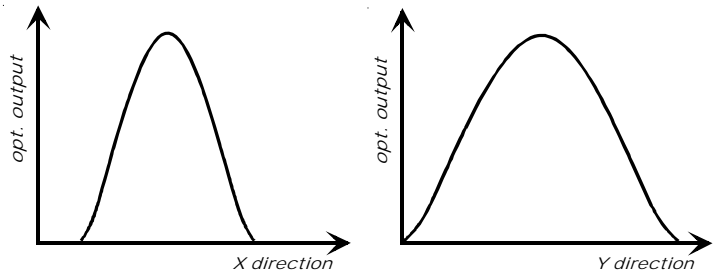
- Telecentric design
- Exact shadow projection onto the receiver
- The distance of measuring object to the transmitter or receiver has no influence on the measuring signal over a wide range



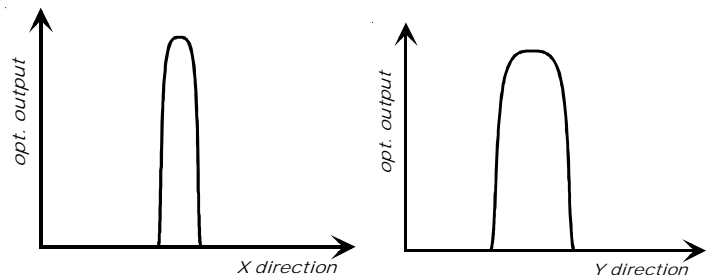
**Homogeneous light distribution**

The use of high-precision apertures in the transmitter ensures optimum adaptation to the respective application. Apart from a large variety of standard apertures special apertures can also be realized.

The aperture ensures a homogeneous light distribution in the beam and a sharp beam limitation.



Conventional design: Beam profile in the two main axes



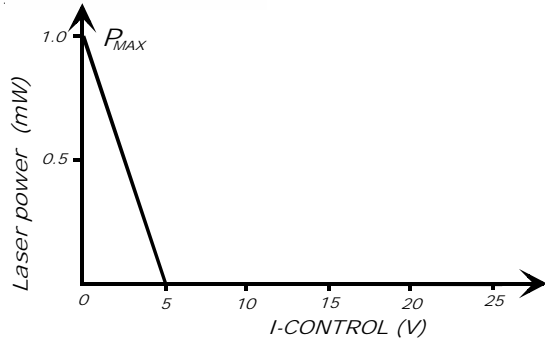
D-LAS series: Beam profile in the two main axes



**Characteristics**

**Adjustable laser power**

In case of types **D-LAS1**, **D-LAS2**, and **D-LAS90** the laser power can be adjusted with the current control input. The voltage at the I-CONTROL current control input can be varied between 0V and +24V. The maximum laser power is reached at 0V; the laser power then decreases linearly with increasing voltage, and at +5V it reaches the 0 mW value (LASER OFF). The current control input therefore can also be used as a test input for switching the laser light barrier ON or OFF (0V = ON, +5V or +24V = OFF). If a receiver with a fixed comparator threshold is used, the I-CONTROL input is used for setting the sensitivity.

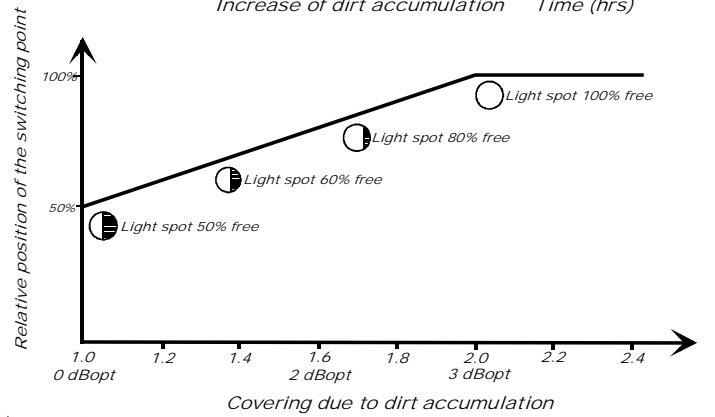
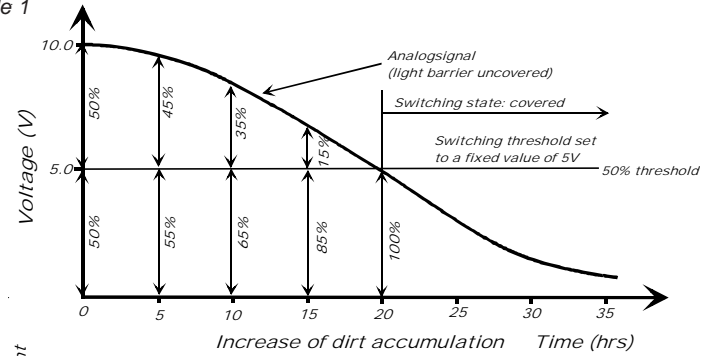


**High positioning accuracy**

In conventional light barriers the switching threshold, which depends on a fixed voltage (absolute value), is adjusted by means of a potentiometer. As a consequence the switching point shifts with increasing dirt accumulation.

**Example 1 (cf. illustration):**  
 The switching threshold is set to a fixed value of 5V, which in case of a 10V analog signal (without dirt accumulation and covering) leads to a change of the switching state at 50% light spot covering.  
 The analog signal decreases with increasing dirt accumulation, while the switching threshold remains constant. This means that the light spot no longer needs to be covered by 50% to cause switching of the light barrier.

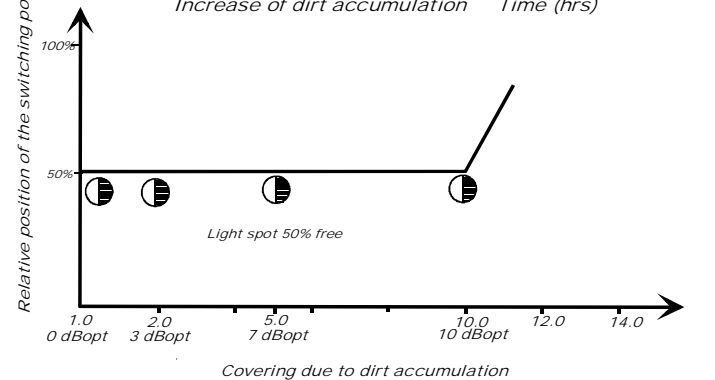
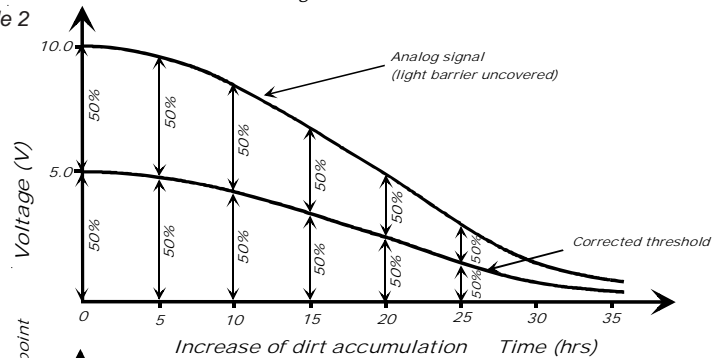
Example 1



By way of continuous monitoring of the maximum value at the receiver a dynamic correction of the switching threshold compensates the effect of dirt accumulation. This means that increased dirt accumulation does not lead to a shift of the switching point.

**Example 2 (cf. illustration):**  
 In clean condition the laser light barriers of D-LAS Series indicates a value of 10 V at the analog output, the switching threshold adjusts itself to 50% of the analog signal, i.e. the switching state changes at 50% covering of the light spot.  
 In case of increasing dirt accumulation the value of the analog signal decreases, but the 50% distance to the switching threshold is maintained.

Example 2

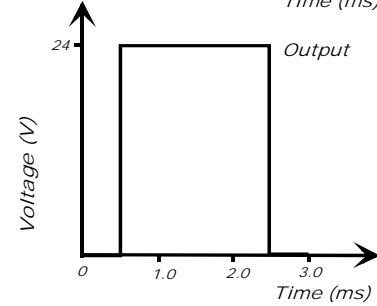
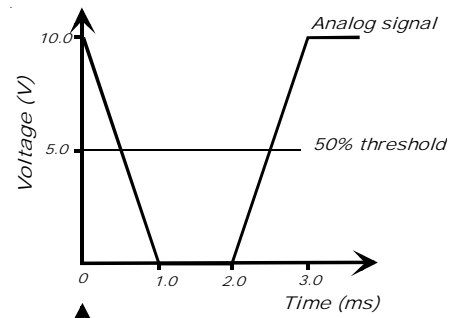
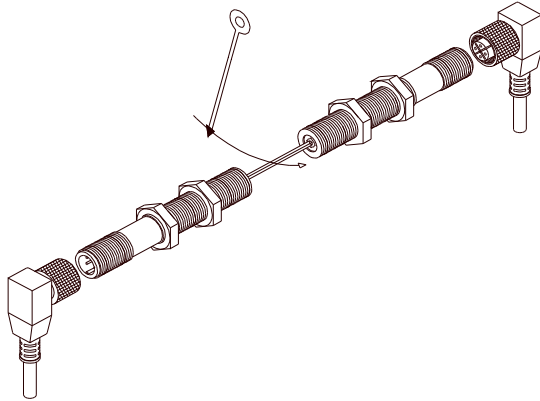




**Characteristics**

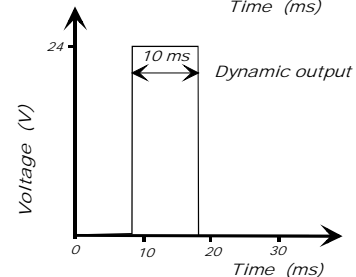
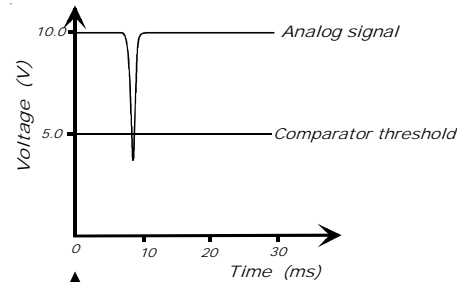
**Monitor signal**

In addition to the switching signal the laser light barriers **D-LAS1** and **D-LAS2** also provide an analog signal. This "monitoring" of the analog voltage allows improved evaluation of the switching signal. The output also is suitable for measuring tasks.



**Dynamic measurement**

When a measuring object passes through the laser light beam of a **D-LAS1-D** light barrier it triggers a voltage pulse, the pulse duration of which is independent of the time the measuring object stays in the laser beam. The pulse duration is set to a fixed value of 10 ms.



**Pulsating-light operation**

If intensive external light sources must be expected in a laser light barrier application, it is recommendable for safety reasons to use a pulsed system (**D-LAS1**, **D-LAS3**, **D-LAS90**, **D-LAS90-VACU**). Due to the use of narrow-band electronic filters only the modulated light of the transmitter is detected. Even pulsed light sources such as fluorescent lamps have no influence on the switching reliability.

**Constant-light operation**

In case of high switching frequency requirements a non-pulsed system can be used. Here external light suppression is ensured by means of narrow-band optical filtering. Therefore constant-light light barriers are suitable for fast processes or for measuring objects moving at high speed. With the help of the analog output constant-light barriers of series **D-LAS2**, **D-LAS-34**, **D-LAS-34/90**, **D-LAS-ED1** can also be used for measuring tasks.

**Compact and sturdy housing**

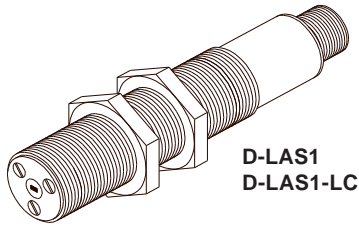
With their sturdy metal housing and their high type of protection the laser light barriers of series D-LAS are designed for demanding applications in machine construction.



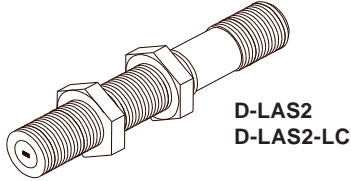


Product Line

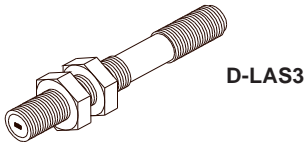
Type summary D-LAS Series



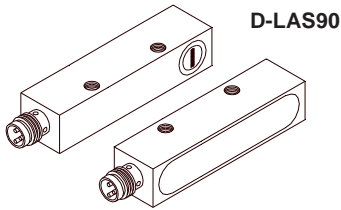
D-LAS1  
D-LAS1-LC



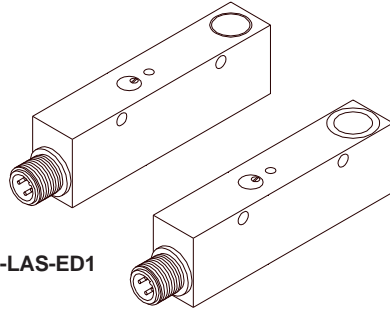
D-LAS2  
D-LAS2-LC



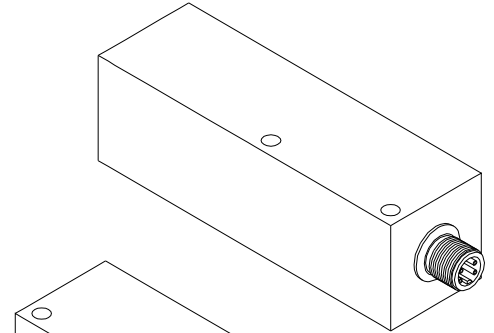
D-LAS3



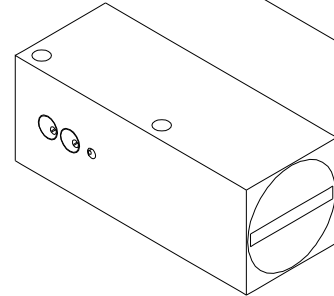
D-LAS90



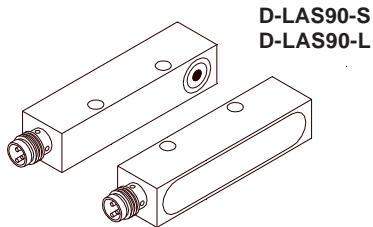
D-LAS-ED1



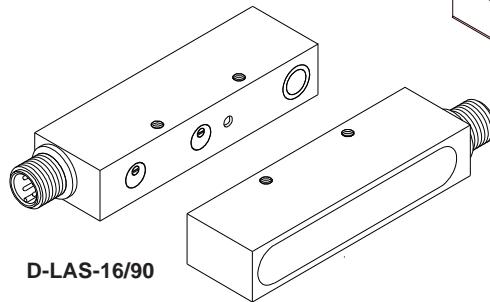
D-LAS-34/90



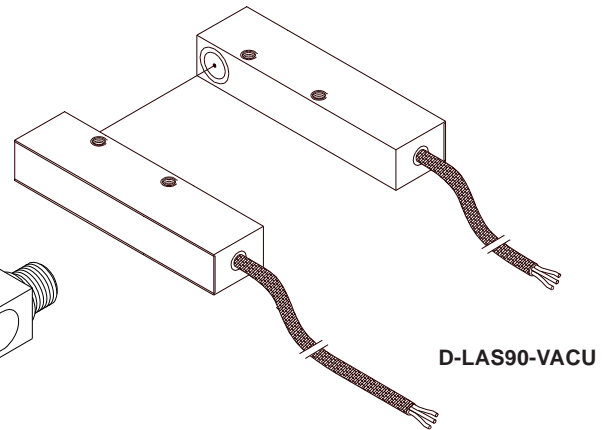
D-LAS-34



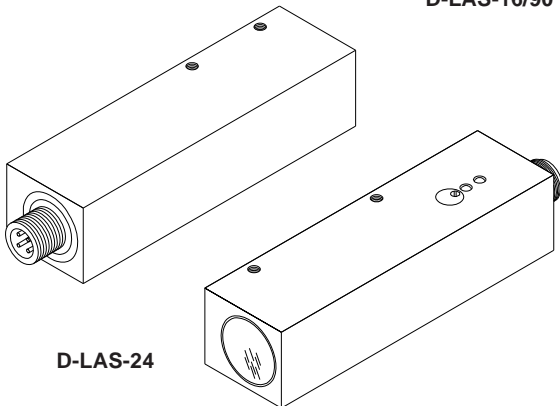
D-LAS90-S  
D-LAS90-L



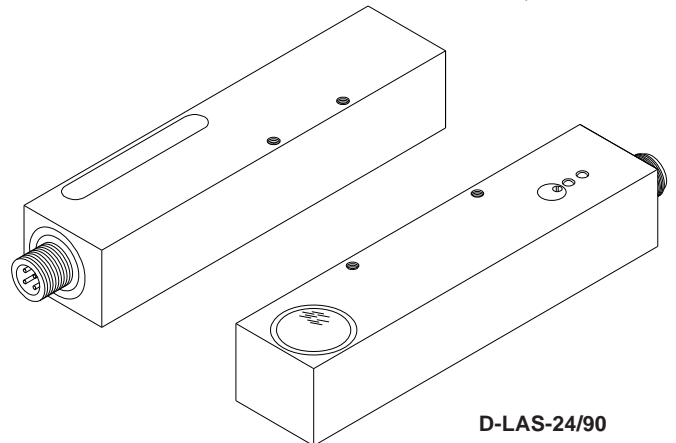
D-LAS-16/90



D-LAS90-VACU



D-LAS-24



D-LAS-24/90

