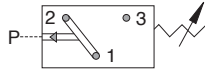
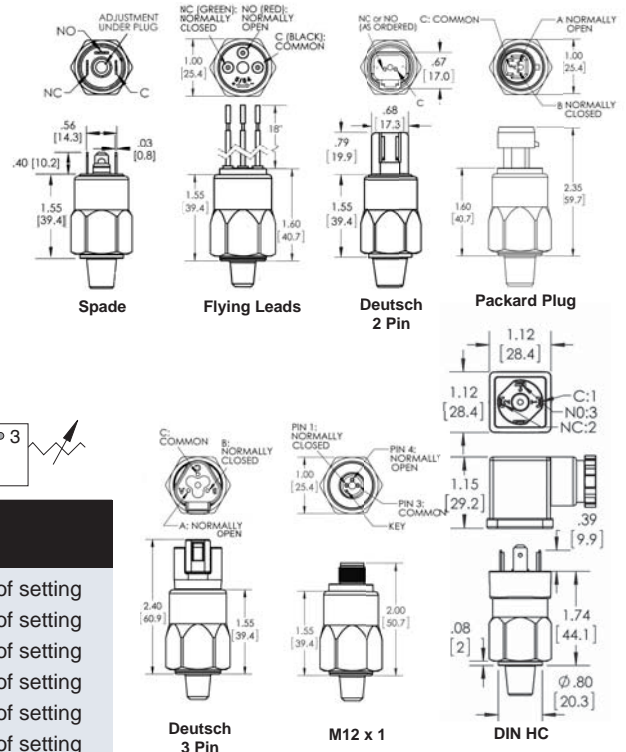


## BPA/BPF Diaphragm High Pressure Switches



Model	Adjustment Range		Avg. Differential		Repeatability
	PSI	Bar	PSI	Bar	
1	10 - 85	.35 - 5.8	1.0 - 10	0.07 - 0.7	± 3 psi (0.21 bar) + 3% of setting
1A	65 - 300	4.5 - 21	8 - 30	0.55 - 2.1	± 5 psi (0.34 bar) + 2% of setting
2	125 - 600	8.6 - 41	20 - 80	1.4 - 5.5	± 6 psi (0.41 bar) + 3% of setting
3	500 - 2500	35 - 172	70 - 300	5 - 21	± 25 psi (1.7 bar) + 4% of setting
4	1000 - 6000	69 - 414	150 - 600	10 - 41	± 35 psi (2.4 bar) + 4% of setting
5	500 - 3500	35 - 241	75 - 300	5 - 21	± 40 psi (2.8 bar) + 3% of setting

### ELECTRICAL:

Standard: 5A, 125V/250VAC - U.L. Recognized\*  
 5A, 12/24VDC - U.L. Recognized\*  
 Option -7: 0.02A, 60VDC - U.L. Recognized\*  
 Gold contacts may be required for less than 12 VDC and 20 milliamps

**MANUFACTURER'S OTHER RATING:**  
 5A @ 40VDC

### WETTED MATERIAL:

Diaphragm: Buna-N (Standard)  
 (optional EPDM, KAPTON®, VITON®, Low Temp Nitrile)  
 Housing: Zinc Clear Chromate Plated Steel  
 (optional 316 Stainless Steel)

### PROTECTION:

Exposed Terminals – IP00  
 DIN HC - IP65  
 Flying Leads, M12, Deutsch Integral, Packard - IP69

**SWITCH TYPE:**  
 Snap Action

**MECHANICAL LIFE:**  
 1,000,000 cycles

### MEDIA TEMPERATURE RANGE:

Buna - N: -15° to +230°F (-26° to 110°C)  
 EPDM: -10° to +250°F (-23° to 121°C)  
 KAPTON®: -40° to +239°F (-40° to 115°C)  
 VITON®: 0° to +302°F (-18° to 150°C)  
 (® Registered Trademark of DuPont)  
 Low Temp Nitrile: -40° to 230°F (-40° to 110°C)

### MAXIMUM OVERPRESSURE:

Static: 9000 PSI (620 Bar)  
 Dynamic: 7500 PSI (517 Bar)

### WEIGHT:

Approx. 0.2 lbs (0.09 kg)

[ For Certifications and Approvals: Please Inquire ]

## ORDERING INFORMATION

BPA	- * 2	- * R	- 4M	- C	- H	- * 1
Model	Set Point	Direction	Port Size	Circuit	Terminal	Options
BPA Field Adjustable	See Above Adjustment Ranges	R - PSI Rising F - PSI Falling BR - Bar Rising BF - Bar Falling	2M - 1/8 NPT 4M - 1/4 NPT 2G - 1/8 BSPP 4G - 1/4 BSPP (undercut for an o-ring seal)	A - SPST / NO B - SPST / NC C - SPDT	SP - 1/4" x 1/32" Spade TS - 6-32 Terminal Screws FL - 18" Flying Leads FLL - Advise additional length of leads if required H - DIN 43650A Male Half Only HC - DIN 43650A Cable Clamp HN - DIN 43650A 1/2 Conduit (female) HCC - XXX (Specify Length in Inches) DI - Deutsch Integral M12 - M12 X 1 PP - Packard Connector	* - Omit If Standard 1 - VITON® Diaphragm 2 - EPDM Diaphragm 3 - KAPTON® Diaphragm * * For Model Ranges 1,1A & 2 Only 15 - Low Temp Nitrile Diaphragm 4 - 316 SS Housing 5 - Spiral Restrictor 6 - Oxygen Cleaned (Only available in Stainless Steel) 7 - Gold Contacts
BPF Factory Set	*Model BPF Specify Set Point Required	*Omit For Model BPA	4GS- 1/4 BSPP (no undercut) 4S - 7/16X20 SAE MALE 4SW - 7/16X20 SAE Swivel 6S - 9/16X18 SAE MALE M10 - M10X1* M12 - M12X1.5 *			
			*Consult Factory for Specials.		* See Page 49 for other electrical termination options	