



Mechanical pressure switch

# Huba Control

In Proud Partnership with Huba Control

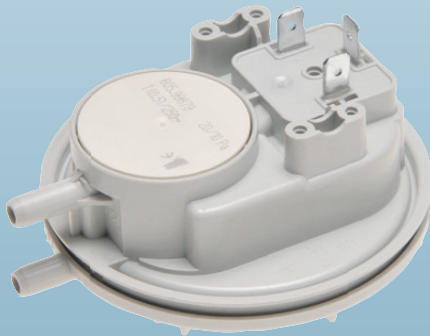
## PAQUIN SENSORS

For technical support, sales, & distribution  
within the USA & Canada

www.paquin.com | (800) 831-8217 | paquinsensors@paquin.com

## OEM Relative and differential pressure switch

### Type 605



Type 605 pressure switches are specially developed for use in gas fired heating systems.

There are more than 40 million switches in use worldwide. Produced on a fully automated production line.

High setting accuracy and repeatability, combined with excellent reliability characterise a quality of switch above the industry norm.

## Pressure range

### 20 ... 400 Pa

- + Fitting of the switch – Fast mounting with snap bracket system
- + Adjusting security
- + High contact strength (typically 10 cN)
  - Essentially less susceptibility to pollution of contact
- + Roll operation of contact surface
  - Less sensitive to contact pollution through self cleaning effect
- + Diaphragm design / material
  - Better long term stability achieved through the use of a 2 component silicon diaphragm.
  - Unique trapezoid diaphragm design provides for a better contact release and therefore a more accurate switching point

## Technical overview

<b>Pressure range</b>		
Relative and differential		20 ... 400 Pa <sup>1)</sup>
<b>Operating conditions</b>		
Medium		Air and neutral gases
Temperature <sup>2)</sup>	Medium / ambient	-30 ... +110 °C
	Storage	-30 ... +110 °C
Tolerable overload on one side	< +85 °C	5000 Pa
	+85 ... +110 °C	1500 Pa
Smallest turn on pressure of 20 Pa <sup>3)</sup>		Smallest switching differential 8 Pa
<b>Materials in contact with the medium</b>		
Sensor		Silicone LSR
Case		PC Lexan 500R <sup>4)</sup>
<b>Electrical overview</b>		
Switching load		See Nominal loading limits
Contact system		Changeover switch
Service life	Mechanically	> 10 <sup>6</sup> switching cycles
<b>Protection standard</b>		
Not mounted		IP 00
With contact safety guard		IP 30
With cover, without seal		IP 54
With cover and seal		IP 65
<b>Reproducibility</b>		
Between		± 1 Pa
<b>Electrical connection</b>		
AMP connector <sup>5)</sup>		6.3 mm
		4.8 mm
<b>Pressure connections</b>		
Pipe		Ø 6.2 mm
Orifice installed for damping pulsating pressure at P1, P2 (option)		
<b>Mounting instructions</b>		
Installation arrangement		Please indicate installation arrangement
Mounting		With several brackets
		Fastening clip for quick mounting
<b>Tests / Admissions</b>		
UL		MFHX2/8 or XAAK2/8
DVGW		acc. to DIN EN 1854
EC type examination certificate		CE-0085AP0974
Low voltage directive		2014/35/EU
Gas appliance directive		2016/426/EU
<b>Weight</b>		
Without accessories		~ 60 g
<b>Packaging</b>		
Multiple packaging in cardboard		300 pieces
		1200 pieces (4 boxes per pallet)

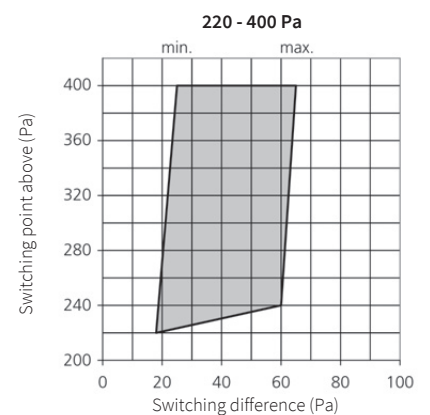
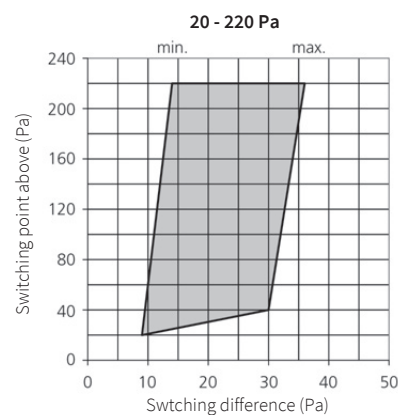
## Adjustable switching differences

Switching difference adjustment only inside shaded area:

Example: Upper switching point 220 pascal.  
Switching difference between 14 and 36 pascal.

Example: Upper switching point 40 pascal.  
Switching difference between 9 and 30 pascal.

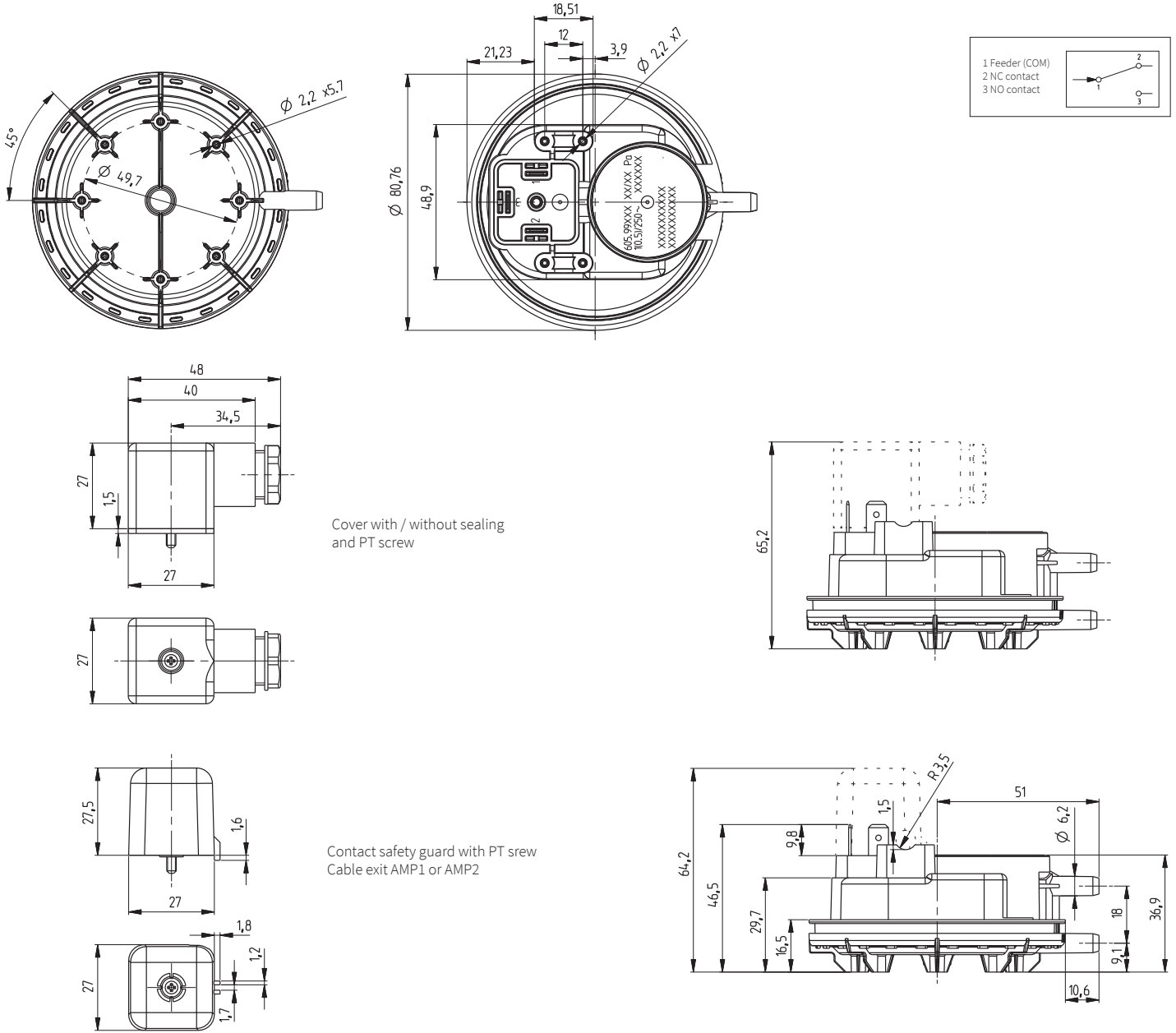
Example: Upper switching point 20 pascal,  
smallest switching difference 8 pascal.



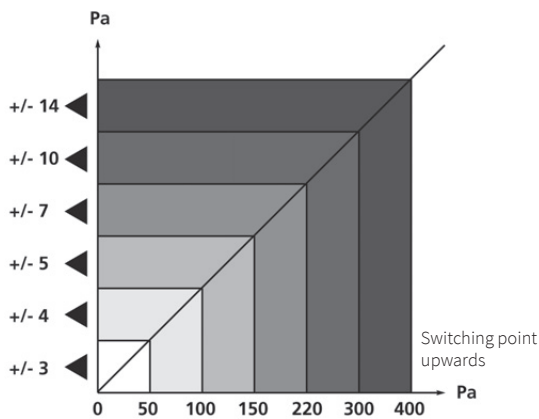
<sup>1)</sup> Higher pressures on request  
<sup>4)</sup> Fiberglass reinforced plastic 10% GF

<sup>2)</sup> Higher temperatures on request  
<sup>5)</sup> According to DIN 46244

<sup>3)</sup> Switching differential is factory-set

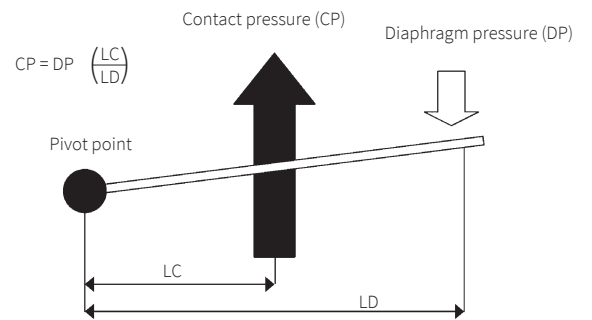


Tolerance of switching point



The principle of high contact pressure

Simplified representation of the new DPS 605 contact system. The high contact pressure results from the optimized length ratios of LC and LD.



**Accessories** (supplied loose)

**Order number**

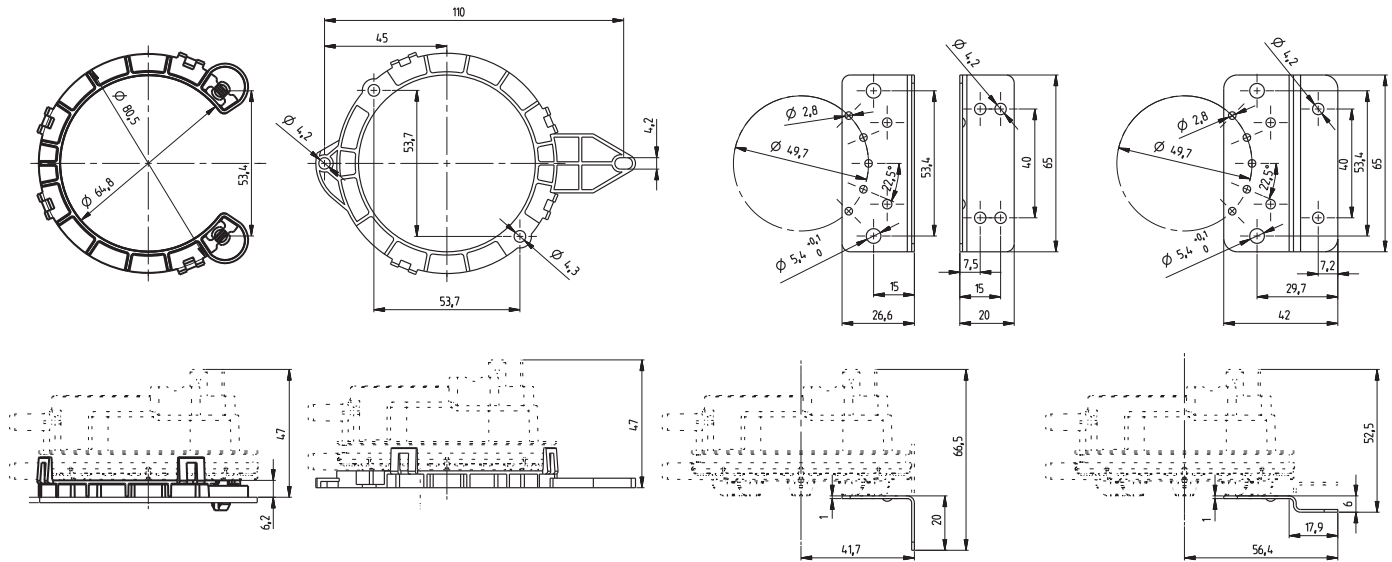
Cover with seal and PT screw		100306
Cover without seal and PT screw		100307
Cover with PT screw and cable output AMP-1		100297 + 102981 (PT screw)
Cover with PT screw and cable output AMP-2		100298 + 102981 (PT screw)
Fastening clip	Thickness of sheet metal 0.8 ... 1.1 mm	100294
	Thickness of sheet metal 1.8 ... 2.1 mm	100293
Fastening clip (with mounting holes)		106790
Bracket type A		100295
Bracket type B		100296
Mounting plate		106707
Mounting adaptor small		111223
Mounting adaptor large		112985
Calibration certificate (at factory set switching points)		104551

Fastening clip  
(Dimensions in mounted state)

Fastening clip  
(with mounting holes)

Bracket type A

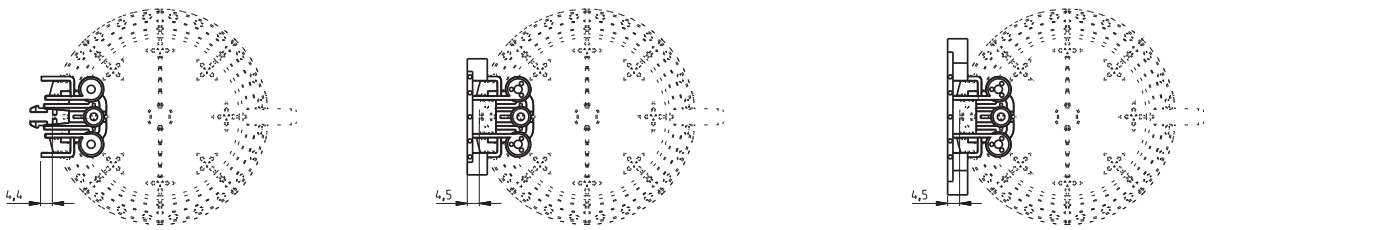
Bracket type B



Mounting plate

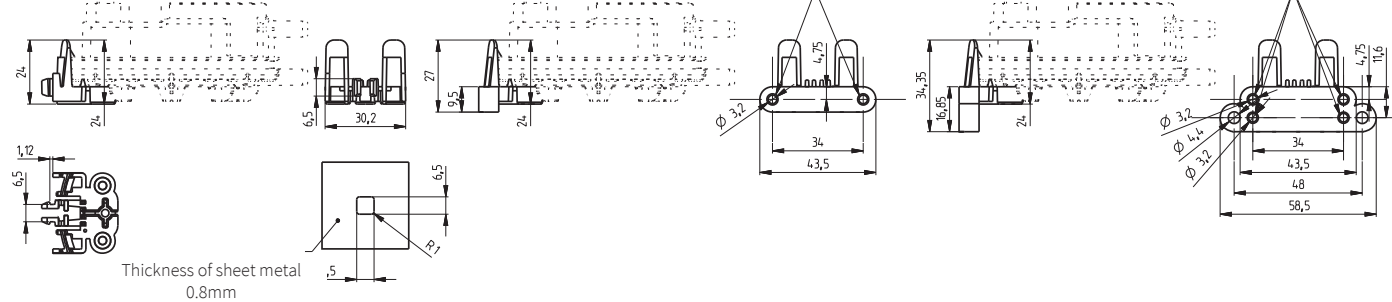
Mounting adaptor small

Mounting adaptor large



For screw PT40

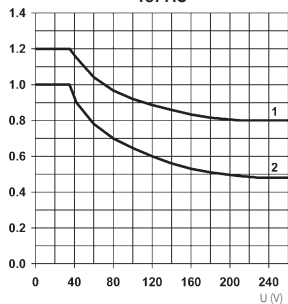
For screw PT40



Thickness of sheet metal  
0.8mm

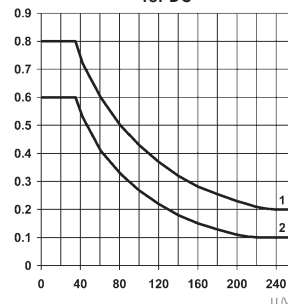
**Nominal loading limits**

for AC



1 = ohmic  
2 = inductive (cosφ 0.7)

for DC



1 = ohmic  
2 = inductive  
Can also be operated with TTL-load